

ADDENDUM #1

Dated May 18, 2026

FOR:

French Valley Discovery Hangar and Early Learning Center



Prepared by County of Riverside Facilities Management

Real Estate Office

3450 14th Street, Suite 200

Riverside, CA 92501

CONTENTS

- Summary of questions received through email and phone call responses.
- Extension of the original Request for Proposal (RFP) to Monday, June 1, 2026 at 5:00 p.m. PDT

Addendum No. 1

1. We wanted to confirm whether the RFP includes operations of the full Education Center in addition to the childcare services or if it is limited to the childcare component only?
 - a. Answer: The scope of operations for the chosen operator will only include the childcare services component.
2. Are proposal submissions via email accepted or is it hard copy only?
 - a. Answer: We are accepting both email and hard-copy submissions.
3. Based on our review of the RFP materials and publicly available information, it appears the facility is not yet operational. Can the County confirm whether the selected operator will be responsible for launching initial operations for the Center?
 - a. Answer: Yes, the selected operator will be responsible for launching initial operations for the Center.
4. Is the facility currently licensed, or will the selected operator be responsible for obtaining the childcare license prior to opening?
 - a. Answer: The facility is not currently licensed. The selected operator will be responsible for working with community care licensing to obtain the childcare license before opening.
5. We understand the facility includes four classrooms. Can you provide the intended age groups to be served, the anticipated licensed capacity for each classroom, and the square footage of each classroom, if available?
 - a. Answer: The facility is intended to serve infants and toddlers, 0-36 months, with licensed capacity of 12 children per classroom. Square footage is ~1,000 sf per room.
 - i. Classrooms 101 & 102
 1. Shared Kitchenette (106 sf) and Restrooms (113 sf)
 2. Classroom 101 was designed for 24-36 months, and is 849 sf
 3. Classroom 102 was designed for 18-24 months, and is 905 sf
 - ii. Classrooms 103 & 104
 1. Shared Kitchenette (106 sf) and Restrooms (113 SF)

2. Classroom 103 was designed for 12-18 months, and is 903 sf
 3. Classroom 104 was designed for 0-12 months, and is 906 sf
6. Can you confirm whether the playground areas include two separate age specific spaces?
 - a. Answer: Yes, see attached Playground Equipment submittal. There are two shared playgrounds:
 - i. Classroom 101 & 102 playground was designed for ages 18-36 months
 - ii. Classroom 103 & 104 playground was designed for ages 0-24 months
7. Can you confirm whether the kitchen is designed and permitted as a commercial kitchen capable of onsite meal preparation?
 - a. Answer: This is a 100% Pre-Packaged Food Facility and not a full-service retail kitchen as permitted by the Riverside County Department of Environmental Health. See attached guidelines for 100% Pre-Packaged Food Facilities.
8. Are there any groups that will receive priority enrollment consideration or tuition discounts, such as County employees or other designated populations?
 - a. Answer: This will be determined by the selected operator.
9. Does the County have any available community needs assessment data, waitlist information, demographic analysis, or other information related to anticipated demand for childcare services at the Center?
 - a. Answer: An updated childcare needs assessment was completed by the Local Planning Council. The assessment can be found at <https://consortiumels.org/lpc/>
10. Can you clarify the operation or programmatic relationship, if any, between the Childcare Center and the adjacent "Education Center"?
 - a. Answer: The Discovery Hangar will be operated by the Office of Economic Development. There is currently no established operational or programmatic relationship between the childcare center and the adjacent Discovery Hangar center.
11. Is there an opportunity for future expansion of the Center should enrollment demand support additional capacity?

- a. Answer: Currently there is no plan for expansion
- 12. We understand furnishings, fixtures and equipment (FF&E) have been provided for the facility. Can you share which vendor or vendors were utilized to source and procure the FF&E?
 - a. Answer: See attached submittal for Classroom FF&E
- 13. Is there a chosen curriculum for the childcare center?
 - a. Answer: The operator will choose the curriculum.
- 14. Do you have to operate a childcare facility now or will a family daycare suffice for experience?
 - a. Answer: Family daycare may be considered as “related experience”
- 15. Inquiry about the lease structure, is there a tiered pricing model in place to allow time for program development and enrollment growth?
 - a. Answer: As an example, the selected operator will pay a license fee of \$1 annually, while also being responsible for all operating costs, to include maintenance, utilities, custodial, etcetera.
- 16. Would it be possible to schedule a tour of the facility?
 - a. Answer: The Discovery Hangar is open now and can be visited by the general public during their business hours, however, the childcare center is a separate portion of that building. Tours are available but an appointment will be needed. Please contact April Gallup at agallup@rivco.org for scheduling.



Bernards
 555 First Street
 San Fernando, California 91340
 P: (818) 898-1521
 F: (818) 361-9208

**Project: 1868 French Valley Childcare and Early
 Childhood Learning Experience**
 31530 Skyview Road
 Winchester, California 92596

Submittal #1.0 - Playground Equipment - Product Data

Revision	0	Submittal Manager	Hussein Darwiche (Bernards)
Status	Open	Date Created	Jun 9, 2025
Issue Date	Jun 9, 2025	Spec Section	EDGE LAND
Responsible Contractor		Received From	<input type="checkbox"/> APPROVED <input checked="" type="checkbox"/> APPROVED WITH COLOR SELECTIONS <input type="checkbox"/> REVISE AND RESUBMIT <input type="checkbox"/> REJECTED <input type="checkbox"/> FOR INFORMATION ONLY
Received Date		Submit By	
Final Due Date	Jun 25, 2025	Lead Time	
Location		Cost Code	
Submittal Package		Type	
Approvers	Hussein Darwiche (Bernards), Hesham Hassan (Bernards), Peter Fox (PBK Architects Inc), Mark Graham (PBK Architects Inc), LuzMaria Ramirez (PBK Architects Inc)		
Ball in Court	Hussein Darwiche (Bernards), Hesham Hassan (Bernards)		
Distribution			
Description			

Corrections or comments made on the shop drawings during this review do not relieve Contractor from compliance with requirements of the drawings and specifications. This check is only for review of the general compliance with the information given in the contract documents. The Contractor is responsible for: confirming and correlating all quantities and dimensions, selection fabrication processes and techniques of construction, coordinating his or her work with that of all other trades and performing all work in a safe and satisfactory manner.

BY Andrew.Schlesinger **DATE** 6/18/2025

REFER TO NOTES FOR COLOR SELECTIONS AND ADDITIONAL RECOMMENDATIONS FROM ANDREW SCHLESINGER AT EDGE LAND AND JONATHAN BOURBONNAIS AT DAVE BANG

Submittal Workflow

Name	Sent Date	Due Date	Returned Date	Response	Attachments
General Information Attachments					
Hussein Darwiche		Jun 27, 2025	Jun 9, 2025	For Bernards Review	Playground Equipment - Product Data.pdf (Current)
Hussein Darwiche	Jun 9, 2025	Jun 11, 2025		Pending	
Hesham Hassan	Jun 9, 2025	Jun 11, 2025		Pending	
Peter Fox		Jun 25, 2025		Pending	
Mark Graham		Jun 25, 2025		Pending	
LuzMaria Ramirez		Jun 25, 2025		Pending	

EXHIBIT A - ADDITIONAL ITEMS REQUESTED BY CLIENT TO BE PROCURED BY GC



COMMUNITY PLAYTHINGS - Totstar
Quantity - 9



COMMUNITY PLAYTHINGS - Outlast Project Table - Toddler Set
Quantity - 2



SUPERIOR RECREATIONAL PRODUCTS - Trexville Garden House
Quantity - 1



COMMUNITY PLAYTHINGS - Outlast Junior Kitchen 18"
Quantity - 1



COMMUNITY PLAYTHINGS - Outlast Storage Bench w/ Two Crates
Quantity - 2

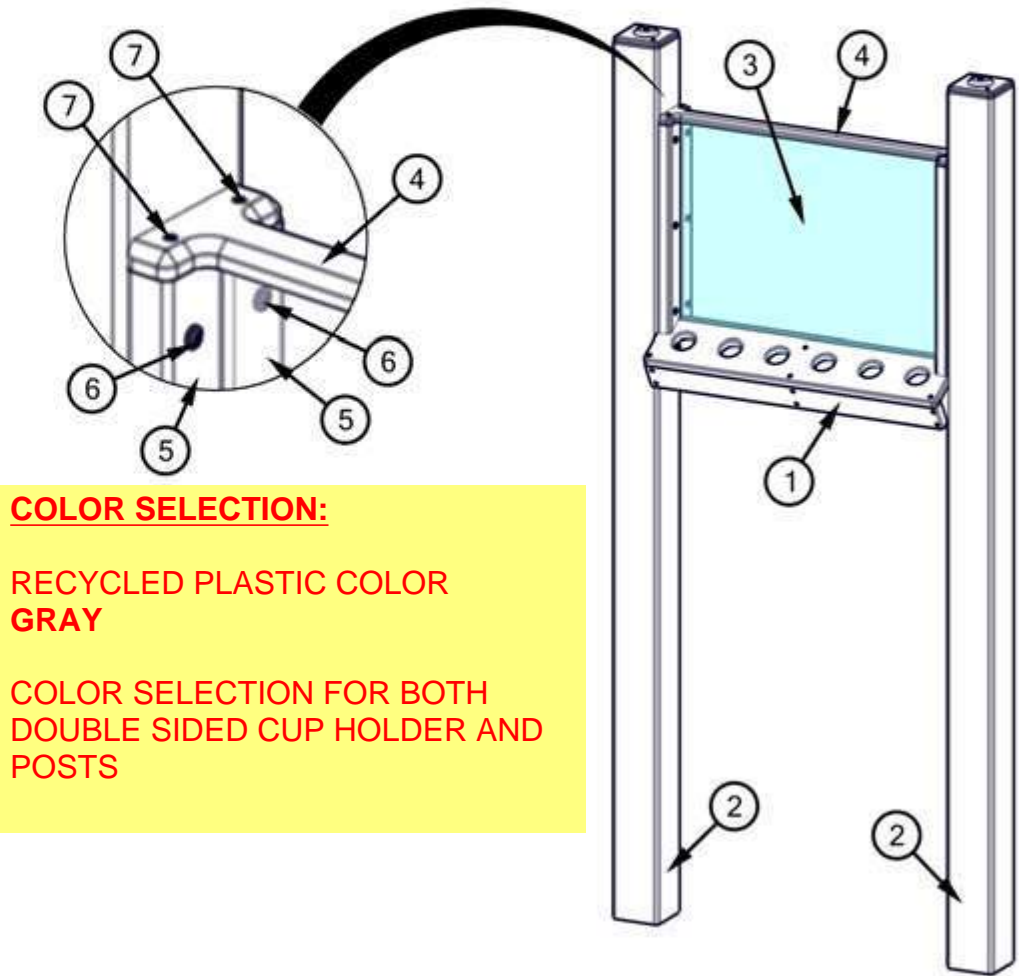
Furnished and
Installed by Zoom
Recreation



USER GROUP: 2-5 Years, 5-12 Years
 RECOMMENDED CREW: 2 People
 TOOLS REQUIRED:
 • T-25, T-30 Torx
 • Level, Square
 • Auger / Post Hole Digger / Shovel
 • Drill Bits: 1/8", 7/32"
 • High Speed 3/8" Electric Drill with Clutch
 NOTE: Use of any other driver may result in damage to product, tool, and/or hardware!
 INSTALLATION TIME: 2 Hours
 WEIGHT: 210 lbs.
 CONCRETE REQUIRED: (3.4) 80lb. bags - 2.0 ft³
 NOTE: Concrete must have a minimum rating of 2,500 psi and must be mixed per manufacturer's recommendations.

ITEM	Part No.	QTY	DESCRIPTION
1	REA00435XX	1	Pre-Assem - Recycled Art Easel Double-Sided Cup Holder
2	REA00008XX	2	Pre-Assem- 6" x 6" Recycled Post x 102" w/Cap
3	RSP-6532XX	1	Sheet - Recycled Art Easel Lexan Panel
4	RSP-6533XX	1	Sheet - Recycled Art Easel Top Cover
5	REP00700XX	4	Rec Plastic - 2" x 3" x 24 7/16" w/ angle cut end
6	HWS0302	16	Screw 5/16" x 4" RSS SS
7	HWS0296	4	Screw 10 x 2-1/2" R4 SS

PRE-INSTALLATION CHECK:
 Customer is responsible for verifying materials received by comparing received items with packing list. If any parts are missing or damaged, including documentation, contact your local sales representative immediately.
 Supplier is not responsible for items discovered missing after 72 hours from time of delivery.
 Before beginning installation, all installers must read and understand the Installation Introduction manual as supplied. If you did not receive a copy, or if you have any questions regarding any information in the Installation Instructions or this Installation Guideline, contact your local sales representative.



COLOR SELECTION:
 RECYCLED PLASTIC COLOR
 GRAY
 COLOR SELECTION FOR BOTH
 DOUBLE SIDED CUP HOLDER AND
 POSTS

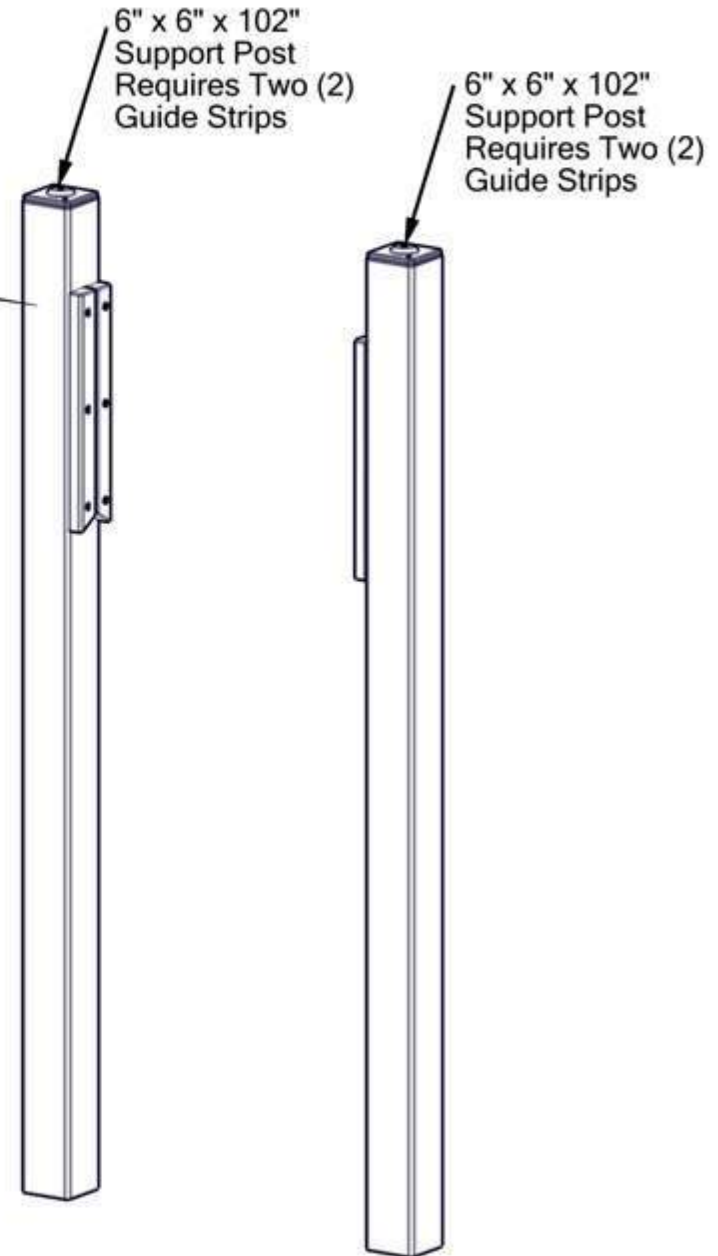
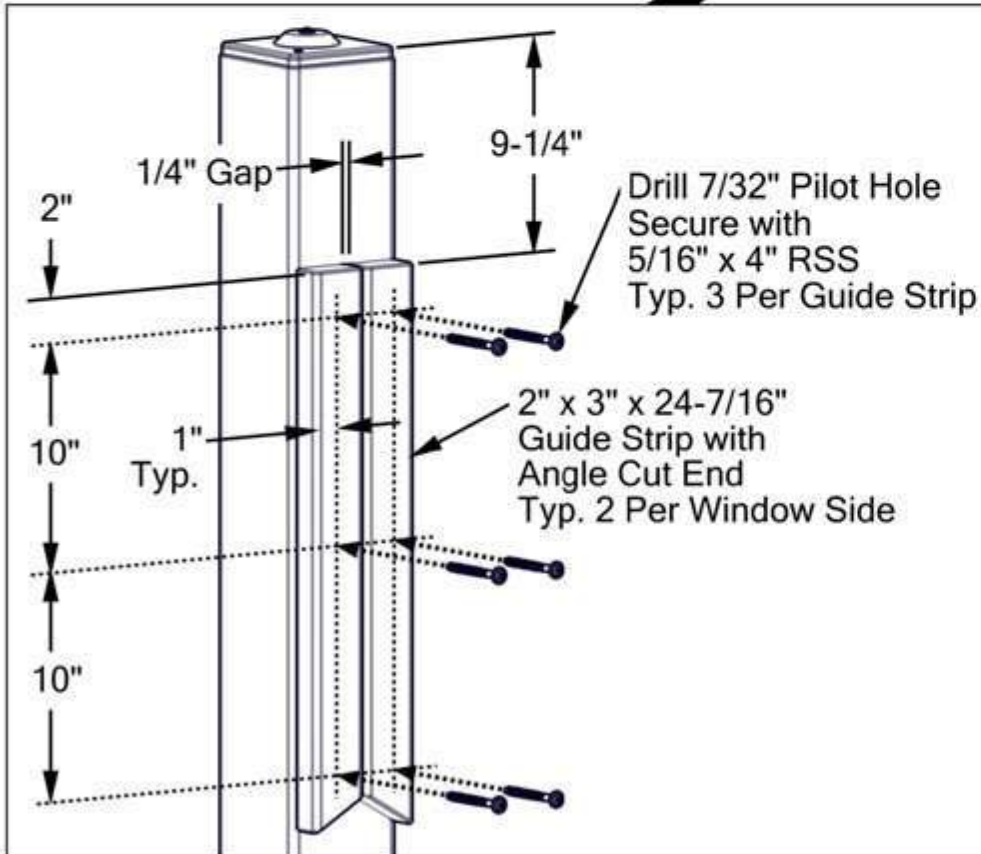


INSTALLATION GUIDELINE

STEP 1

Mount guide strips to support posts. Outer posts each require two (2) guide strips. Top ends of guide strips should be 9-1/4" from top of post cap. Gap between guide strips must be 1/4". Ensure guide strips are square with post. Drill three (3) 7/32" pilot holes through each strip and into post. Secure with three (3) 5/16" x 4" RSS screws. See Detail 1-1. Repeat for all guide strips.

Detail 1-1

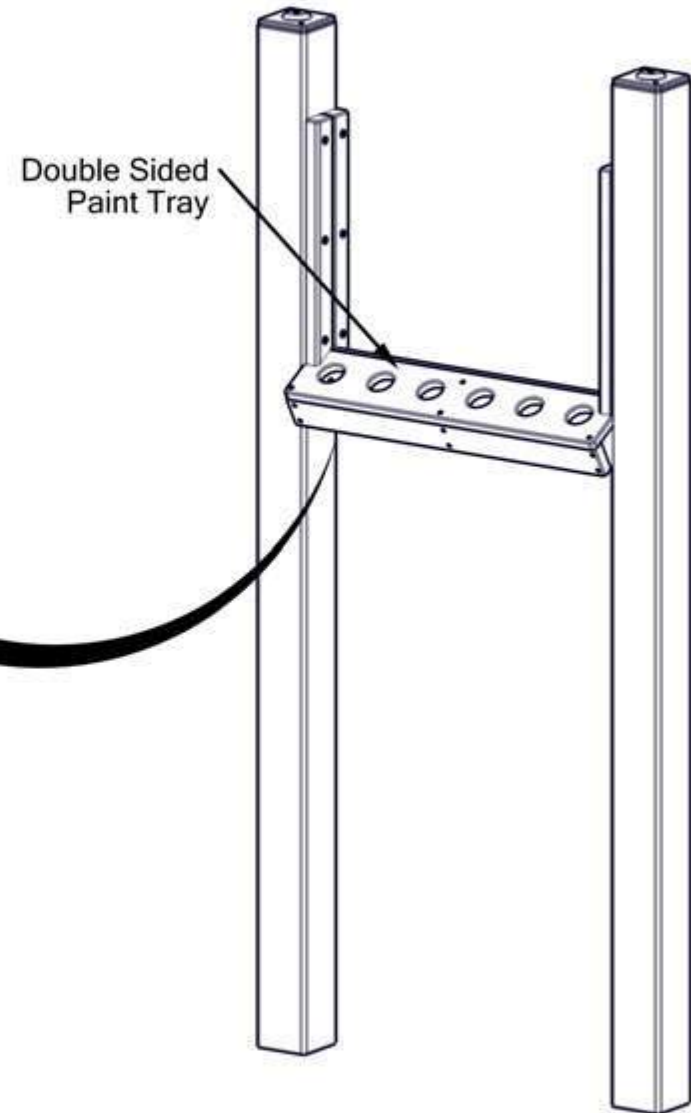
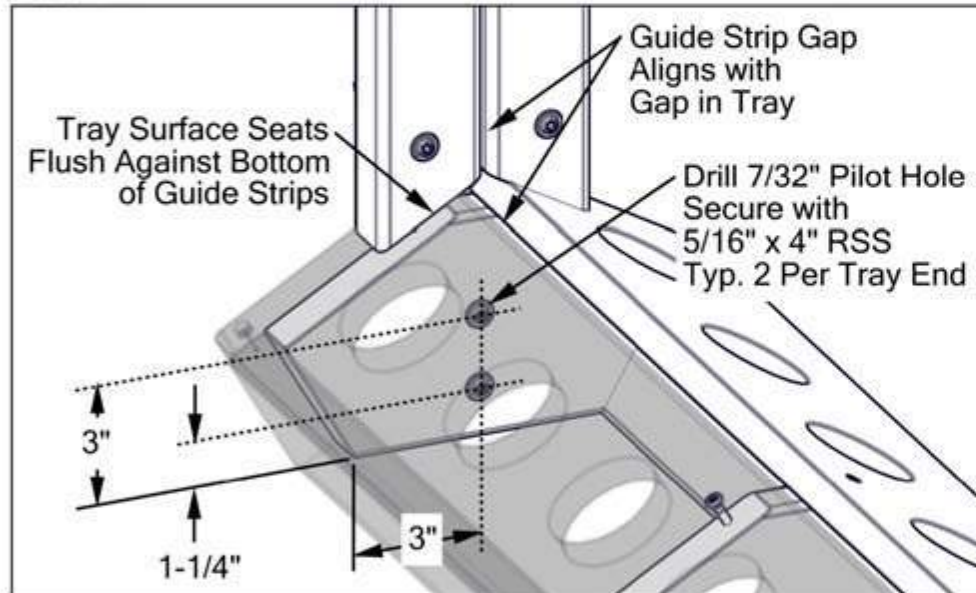




STEP 2

Mount paint tray between support posts. Place end of paint tray against post. Ensure angled surfaces of tray seats flush against angled-cut ends of guide strips. Align gap in top of tray with gap between guide strips. From beneath tray, drill two (2) 7/32" pilot holes through end of tray and into support post. Secure with two (2) 5/16" x 4" RSS screws. See Detail 2-1. Repeat for opposite end of tray.

Detail 2-1



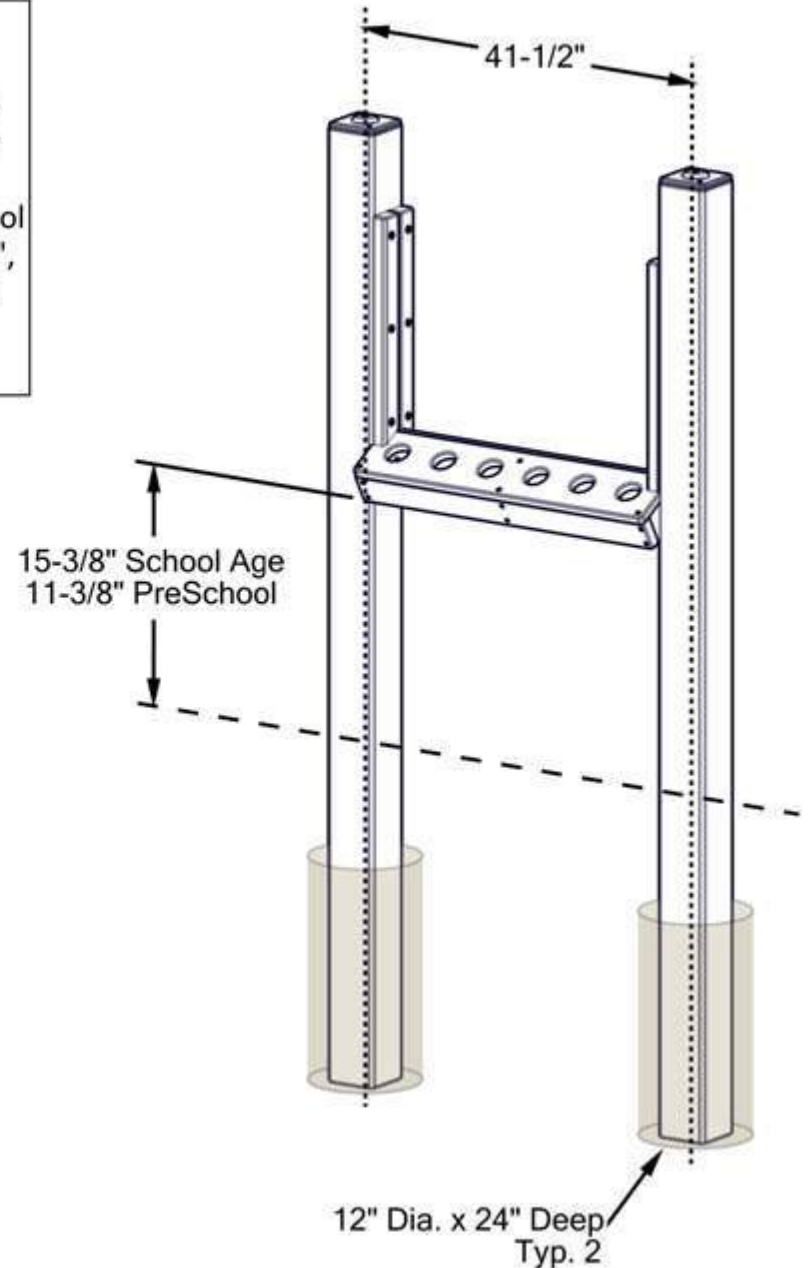
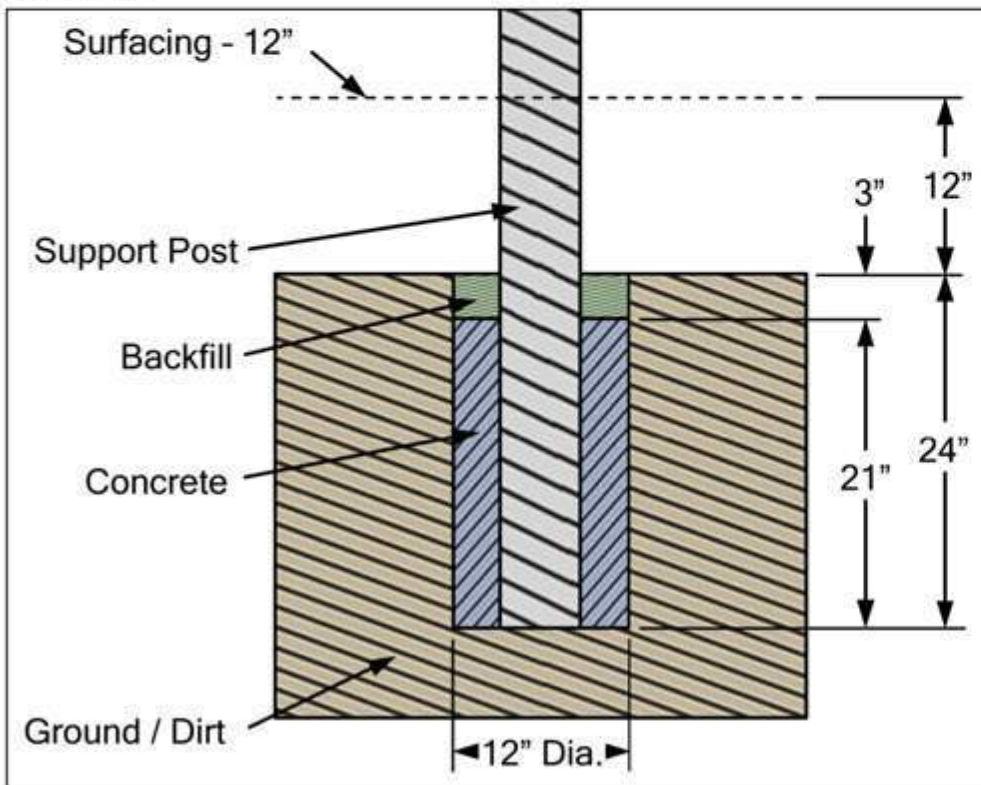


INSTALLATION GUIDELINE

STEP 3

Prepare footing holes. Refer to site plan drawing and site elevation drawing for placement of all support posts. Installer is responsible for proper location of all support posts. Footing hole spacing is shown at right. Footing holes for support posts must be 12" diameter and 24" deep plus 12" surfacing. See Detail 2-1. Elevation of paint tray should be 15-3/8" above surfacing for School Age or 11-3/8" above surfacing for PreSchool Age. If surfacing is less than 12", deepen footing holes as needed. Adjust support post lengths and/or footing hole depths as needed. **DO NOT ADD CONCRETE.** Footing holes will be completed at STEP 5. Proceed to STEP 4.

Detail 3-1

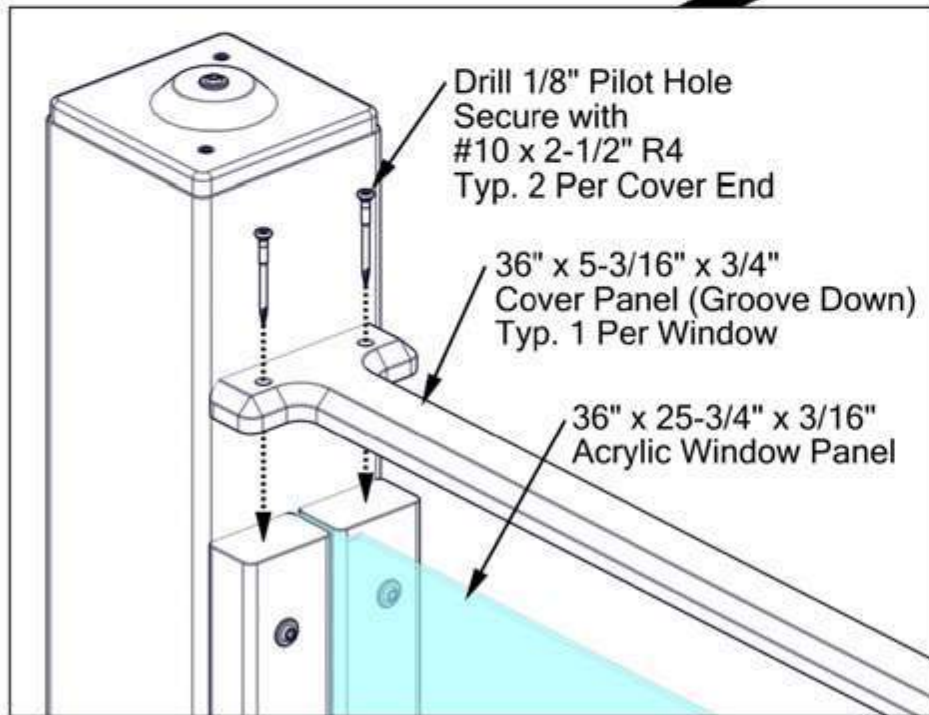




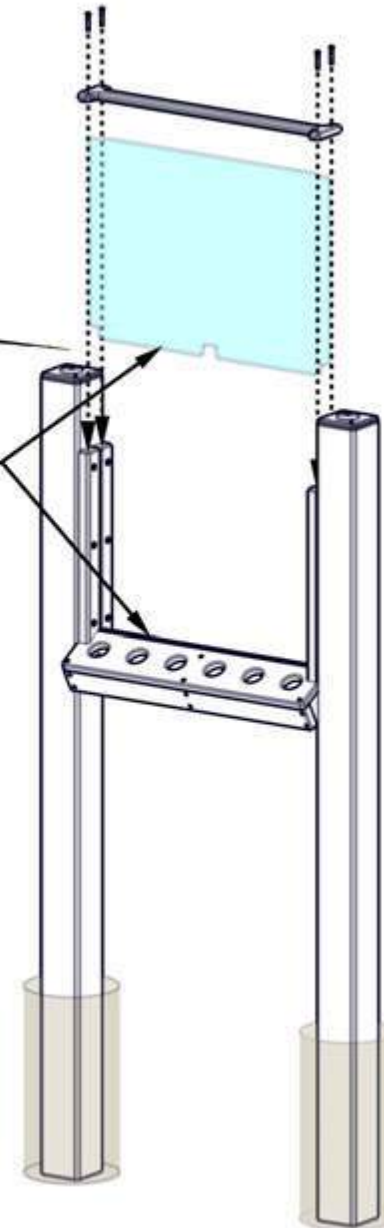
STEP 4

Insert acrylic window panel into guide strips. Ensure bottom of panel seats flush into gap in tray. Place cover panel over top end of window panel. Groove in cover panel should seat flush over top edge of window panel. At each end of cover panel, drill two (2) 1/8" pilot holes through pre-drilled holes in cover panel and into top ends of guide strips. Secure with two (2) #10 x 2-1/2" R4 deck screws. See Detail 4-1. Repeat for opposite end of cover panel.

Detail 4-1



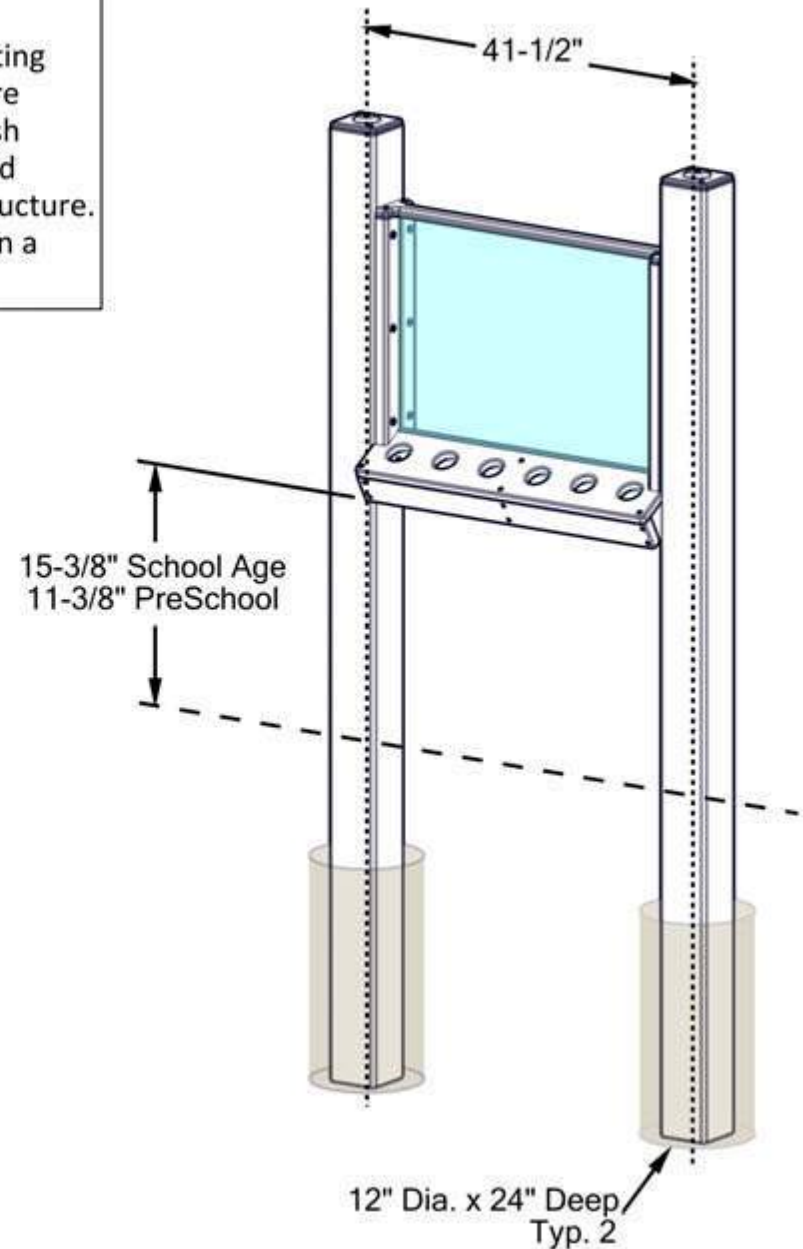
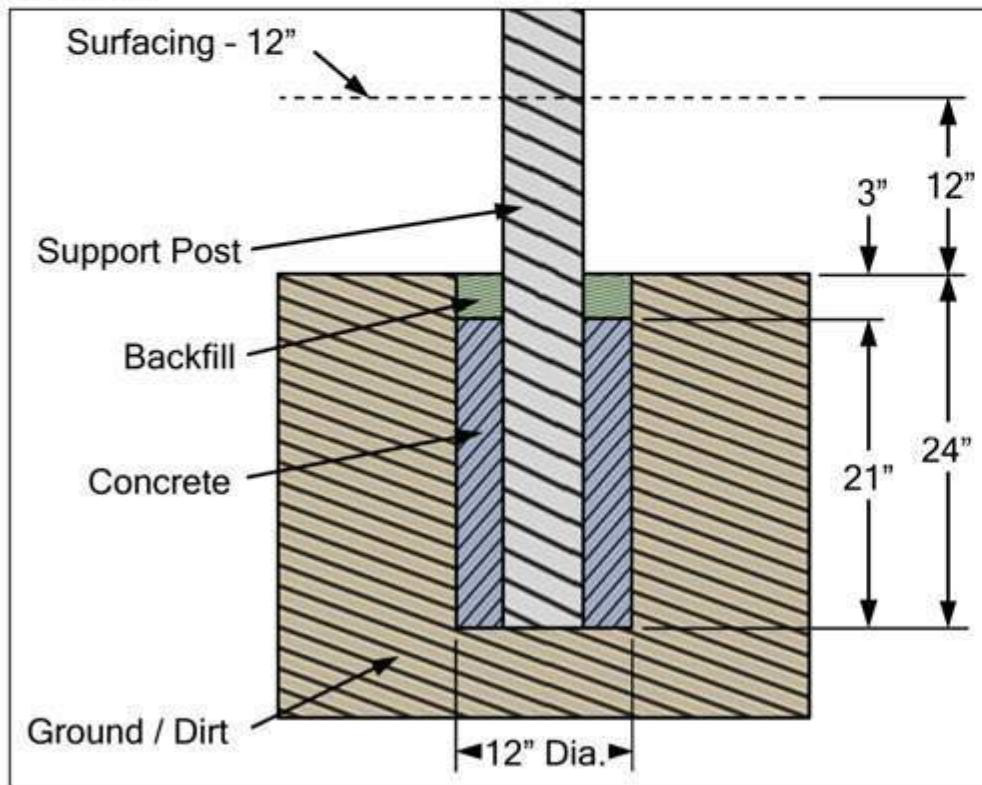
Window Panel Seats
Flush into Tray Gap



STEP 5

Complete setting of footing holes. Ensure support posts are plumb. Fill footing holes with concrete to within 3" from ground surface. Allow concrete to cure based upon manufacturer's instructions. Backfill footing holes with dirt, flush with grade. See Detail 5-1 for footing hole details. Check all connections and ensure structure is stable. All concrete must be fully cured before use of structure. Installation is complete. Place one (1) Age Appropriate Sticker on structure in a clearly visible location.

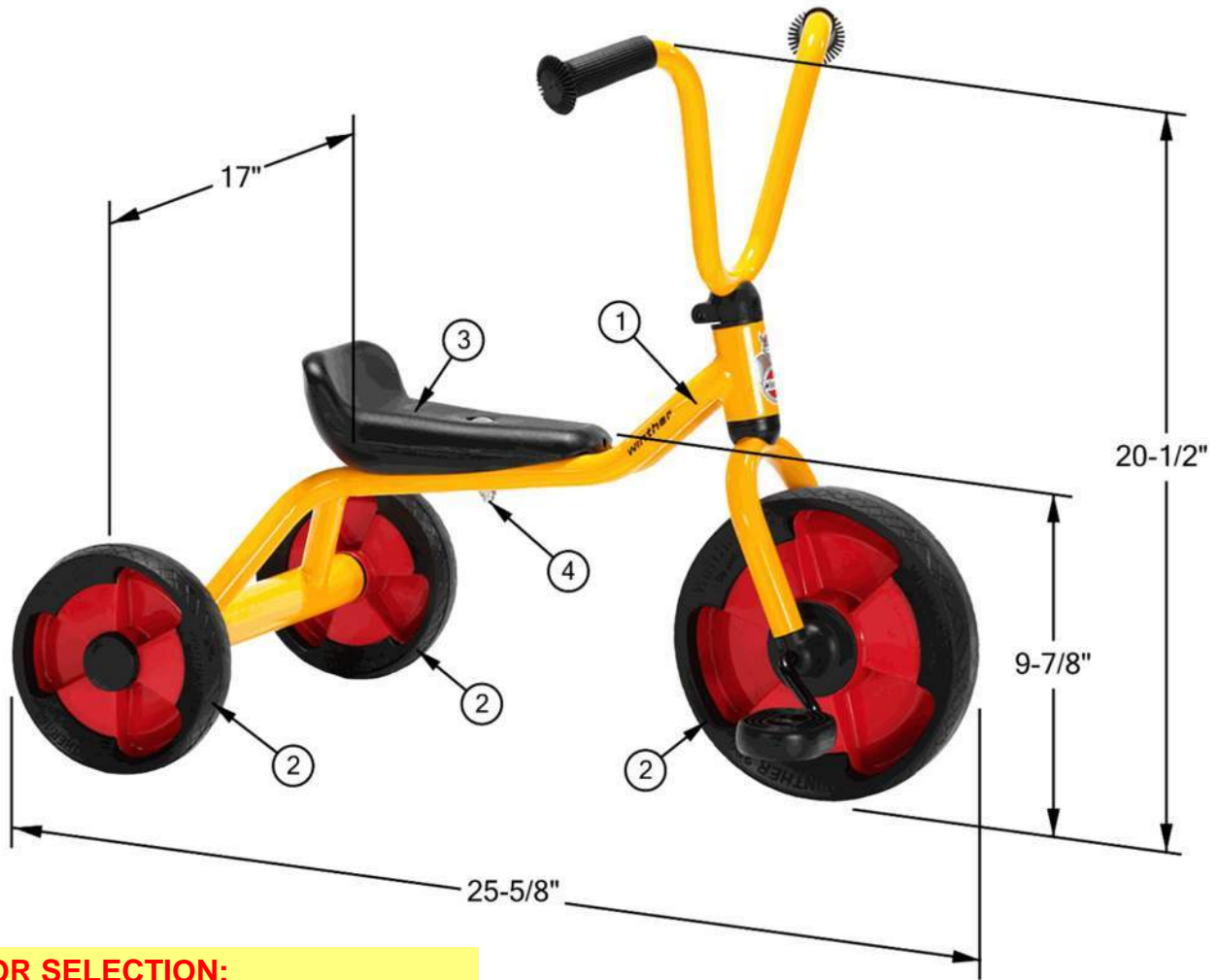
Detail 5-1





Toddler Tricycle with Low Frame
Model: 50-WIN580

Age Group: 1-4 Years



COLOR SELECTION:

APPROVED AS SHOWN
REFER TO "EXHIBIT A" FOR
QUANTITY INFORMATION

Total Weight: 12 lbs (4.7 kg)

ITEM	QTY	DESCRIPTION	MATERIAL
1	1	Tube Frame	Painted Steel
2	3	Treaded Wheel	LDPE
3	1	Molded Seat	LDPE
4	12	Assembly Hardware	Stainless Steel

Furnished by Dave
Bang and Installed
by Zoom
Recreation



Product Image



Proposed Product Colors

SKILL & LEARNING PANELS

This feature adds a fun new way to play in any play area it occupies!

#ZZPM4646 Storefront Panel

Choose Color(s):

Post Color: **Beige** _____

Roto Color: **Orange** _____

COMPONENT & POST COLOR OPTIONS:



ROTOMOLDED COLOR OPTIONS:



SUBMITTAL SUBJECT TO CHANGE BY FACTORY

Product Specifications

©Playworld Systems, Inc. Thursday, July 11, 2024

STOREFRONT PANEL

5 in. Steel Clamp Band

Shall be die cast of high strength 380 aluminum alloy. Clamps shall be provided as hinged assemblies to facilitate structure assembly and an S-lap design to eliminate string entanglement. (See Die Cast Clamps) Finished with a shot blast and a powder coating. (See Superdurable Polyester Powder Coat Finish) Because a hinged clamp design provides the easiest and most flexible installation, clamps which incorporate a slip-through design or clamping devices that use a "bolt through" design are not acceptable. The use of two (2) piece steel half clamps are not acceptable due to poor weatherability and inherent rust problem.

Oval Panel Connector

Shall be cast of high strength Almag 35 (535.0-F) aluminum alloy. (See Cast Almag Clamps) Finished with a 420 micro finish and a baked on polyester powder coating. (See SuperDurable Polyester Powder Coat Finish)

Rotomolded Plastic Panel/Component - .25 in.

Shall be rotationally molded from linear low density polyethylene. (See Rotationally Molded Plastic Parts) Dry-blended or molded-in color resins are not acceptable.

ZZPM4646



* See Note

Component Number:	ZZPM4646
Specification Rev:	PA768
Component Weight:	44.8
Number of Users:	2
Amount of Concrete:	0
Pre-Consumer Recycle:	2.336
Post-Consumer Recycle:	4.856
CO2e Footprint:	278.7



Product Image



Proposed Product Colors

PANELS

This feature adds a fun new way to play in any play area it occupies!

#ZZPM4812 Oval Bubble Panel (Ground Level)

Choose Color(s):

Post Color: **Beige** _____

Roto Color: **Yellow** _____

COMPONENT & POST COLOR OPTIONS:



ROTOMOLD COLOR OPTIONS:



SUBMITTAL SUBJECT TO CHANGE BY FACTORY

Product Specifications

©Playworld Systems, Inc. Tuesday, October 15, 2024

OVAL BUBBLE PANEL - (GROUND LEVEL)

Panel Connector

Shall be cast of high strength Almag 35 (535.0-F) aluminum alloy. (See Cast Almag Clamps) Finished with a 420 micro finish and a baked on polyester powder coating. (See Superdurable Polyester Powder Coat Finish)

3.5 in. Die Cast Alloy Clamp

Shall be die cast of high strength 380 aluminum alloy. Clamps shall be provided as hinged assemblies to facilitate structure assembly and an S-lap design to eliminate string entanglement. (See Die Cast Clamps) Finished with a shot blast and a powder coating. (See Superdurable Polyester Powder Coat Finish) Because a hinged clamp design provides the easiest and most flexible installation, clamps which incorporate a slip-through design or clamping devices that use a "bolt through" design are not acceptable. The use of two (2) piece steel half clamps are not acceptable due to poor weatherability and inherent rust problem.

Oval Bubble Panel

Shall be an assembly of a panel rotationally molded from linear low density polyethylene (Dry-blended or molded-in color resins are not acceptable.) (See Rotationally Molded Plastic Parts) and a clear oval bubble fabricated of .125 in. clear polycarbonate. Clear bubble shall have UV resistant properties. Ultimate tensile strength shall be 9,900 psi. Yield strength shall be 9,000 psi.

ZZPM4812

* See Note

Component Number:	ZZPM4812
Specification Rev:	ECN2748
Component Weight:	39.97
Number of Users:	0
Amount of Concrete:	0
Pre-Consumer Recycle:	2.336
Post-Consumer Recycle:	4.856
CO2e Footprint:	287.1

PLAY SHADE

This feature adds a fun new way to play on any play area it occupies!

#ZZPSP001 Single Post Pyramid 12'x12'x8' In-Ground Post

Choose Color(s):

Shade Color: Beige

Post Color: Royal Blue



Product Image

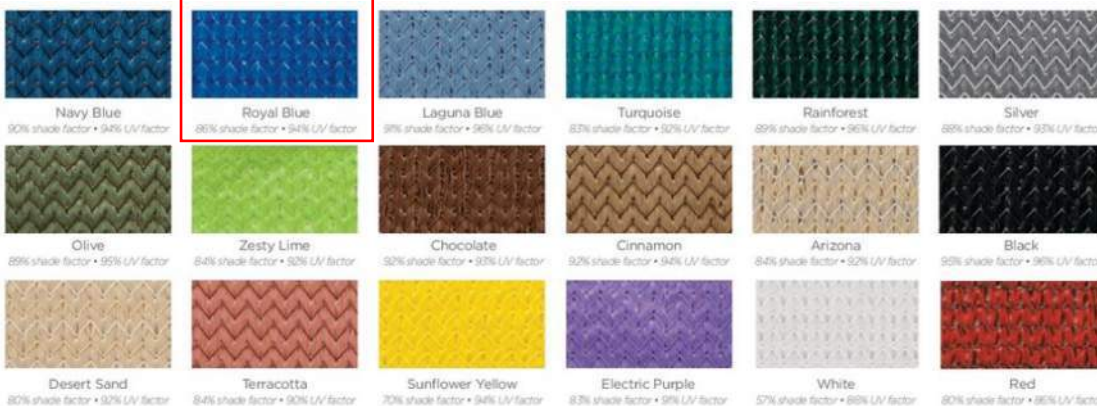


Proposed Product Colors

POST & COMPONENT COLOR OPTIONS:



SHADESURE COLOR OPTIONS:



COLOURSHADE FR COLOR OPTIONS:



SUBMITTAL SUBJECT TO CHANGE BY FACTORY

ZZPSP001

* See Note

Product Specifications

©Playworld Systems, Inc. Monday, August 28, 2023

SINGLE POST PYRAMID 12X12X8- - IN-GROUND POST

USA Shade Stainless Steel

1.- ALL STRUCTURAL SHAPES SHALL BE COLD FORMED HSS ASTM A500 GRADE C, UNLESS OTHERWISE NOTED, TYPICAL MECHANICAL PROPERTIES FOR HSS PRODUCTS: SQUARE AND RECTANGULAR 50,000 PSI YIELD / 62,000 PSI TENSILE ROUND PIPE 46,000 PSI YIELD / 62,000 PSI TENSILE 2.- ALL GALVANIZED STEEL TUBE PRODUCTS ARE MANUFACTURED PER ASTM A500, TYPICAL MECHANICAL PROPERTIES ACHIEVED FOR GALVANIZED TUBE PRODUCTS: ROUND TUBE 45,000 PSI YIELD / 48,000 PSI TENSILE 3.- ALL PLATES SHALL COMPLY WITH ASTM A572 GRADE 50. 4.- ALL STEEL TUBING SHALL BE TRIPLE COATED FOR RUST PROTECTION USING THE IN-LINE ELECTROPLATING COAT PROCESS. TUBING SHALL BE INTERNALLY COATED WITH ZINC AND ORGANIC COATINGS TO PREVENT CORROSION AS MANUFACTURED BY ALLIED TUBE & CONDUIT. 5.- STRUCTURAL STEEL SHALL BE DETAILED, FABRICATED AND ERECTED IN ACCORDANCE WITH A.I.S.C. SPECIFICATIONS. 6.- ALL SHOP WELDS SHALL BE EXECUTED IN ACCORDANCE WITH THE LATEST EDITION OF THE AMERICAN WELDING SOCIETY (AWS) D1.1 SPECIFICATIONS. ALL WELDS SHALL BE CONTINUOUS WHERE LENGTH IS NOT GIVEN, UNLESS OTHERWISE SHOWN OR NOTED ON DRAWINGS. ALL WELDS SHALL DEVELOP THE FULL STRENGTH OF THE WEAKER MEMBER. ALL WELDS SHALL BE MADE USING E70XX .045 WIRE. 7.- SHOP CONNECTIONS SHALL BE WELDED UNLESS NOTED OTHERWISE. FIELD CONNECTIONS SHALL BE AS INDICATED ON THE DRAWINGS (IF REQUIRED). ALL FILLET WELDS SHALL BE A MINIMUM OF 3/16" UNLESS OTHERWISE NOTED. FIELD WELDS SHALL NOT BE ALLOWED. 8.- ALL HIGH STRENGTH BOLTS SHALL COMPLY WITH ASTM A325 TYPE 1 OR A490 TYPE 1. ALL NUTS SHALL COMPLY WITH ASTM A563DH, AND WASHERS SHALL COMPLY WITH ASTM F436. 9.- ALL HIGH STRENGTH BOLTS SHALL BE TIGHTENED TO A SNUG TIGHT CONDITION. 10.- ALL STAINLESS STEEL BOLTS / STUDS SHALL COMPLY WITH ASTM F-593, ALLOY GROUP 1 OR 2 ALL NUTS SHALL COMPLY WITH ASTM F-594 ALLOY GROUP 1 OR 2. 11.- ALL STRUCTURAL STEEL SHALL BE PAINTED WITH ONE SHOP COAT (2.5 TO 3.5 MILS THICK MIN). THIS COAT IS A WEATHER RESISTANT POWDER COATING BASED ON POLYESTER TGIC (MANUFACTURED BY SHERWIN WILLIAMS OR TIGER DRYLAC). TO ACHIEVE OPTIMUM ADHESION, IT IS RECOMMENDED THAT THE PROPER TREATMENT AND DRYING TAKE PLACE BEFORE COATING. POLYESTER POWDER (TGIC) SPECIFICATIONS SHALL BE AS FOLLOWS: - PENCIL HARDNESS (ASTM D-3363) - HUMIDITY (ASTM D-2247) - SOLVENT RESISTANCE (PCI METHOD) - 50 DBL RUBS SL. SOFTNESS

USA Shade Fabric

1.- FABRIC SHALL BE A HIGH DENSITY POLYETHYLENE WITH ULTRA VIOLET ADDITIVES, WITH MONOFILAMENT AND TAPE CONSTRUCTION GIVING A STABLE MATERIAL AND RACHEL KNITTED TO ENSURE MATERIAL WILL NOT UNRAVEL IF CUT. 2.- FABRIC SPECIFICATIONS: SOLID COLORS STRIPE COLORS -TEAR STRENGTH WARP 220.4622 LB WARP 182.9836LB WEFT 462.9707 LB WEFT 401.2413LB - BURST STRENGTH 37.7098 PSIA 33.0686 PSIA - FADING MINIMUM FADING AFTER 5 YEARS - LIFE EXPECTANCY A MINIMUM OF 8 YEARS CONTINUOUS EXPOSURE TO THE SUN 3.- FIRE TEST ON FABRIC: NFPA 701 TEST 2 AND ASTM E 84 4.- THREAD-PTFE (TEFLON) USED MEET THE FOLLOWING SPECIFICATIONS: HIGH STRENGTH, LOW SHRINKAGE, WIDE TEMPERATURE RANGE, FLEX & ABRASION RESISTANT AND UV RADIATION IMMUNITY. LOCKSTITCH - 1200 DENIER. CHAINSTITCH THREAD - 2400 DENIER.

USA Shade Aircraft Cable

1.- WIRE ROPE CABLE SHALL BE 7x19 STRAND CORE GALVANIZED WIRE ROPE WITH A BREAKING STRENGTH VALUE OF 7,000 LBS (1/4" DIAMETER). 2.- CABLES SHALL BE FED THROUGH THE FABRIC SLEEVES AROUND THE PERIMETER OF THE CANOPY AND TENSIONED UNTIL THE FABRIC PANELS (DESIGNED PURPOSELY UNDERSIZED) REACH A TAUNT APPEARANCE. ANY LONG TERM CABLE SAG SHALL BE MINIMIZED DURING THE MAINTENANCE RE-TIGHTENING VISITS AS REQUIRED.

Component Number:	ZZPSP001
Specification Rev:	NA
Component Weight:	650
Number of Users:	0
Amount of Concrete:	0
Pre-Consumer Recycle:	87.384
Post-Consumer Recycle:	179.1372
CO2e Footprint:	680.4

PRODUCT SPECIFICATIONS



ForeverLawn® was the first synthetic turf rated exclusively for playground surfaces and was also the first to incorporate antimicrobial and antistatic technology. All of our premium backed Playground Grass™ products utilize durable slit film blades and come with a 15-year warranty.

All Playground Grass solutions meet ASTM F1292 specifications for impact attenuation as well as the ASTM F1951 surface accessibility standards.

Play Mound 8'-0" and 10'-0" sizes are off the shelf products. These products come with default selection of Playground Grass Ultra and with selected color as: Green

Please work with Dave Bang to include adhesive needed to fix mounting post underneath mound at footings, typ.



COMPONENTS

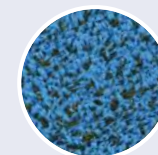
Playground Grass APEX

Playground Grass DISCOVERY

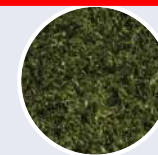
Playground Grass ULTRA

COMPONENTS	Playground Grass APEX	Playground Grass DISCOVERY	Playground Grass ULTRA
YARN TYPE	Primary: Nylon monofilament Secondary: Texturized and semi-texturized nylon monofilament	Primary: Polyethylene slit film Secondary: Heat set textured nylon monofilament	Primary: Polyethylene slit film Secondary: Heat set textured nylon monofilament
YARN COLOR	Primary: Multicolor green Secondary: Multicolor green, tan, brown	Primary: Field Green Secondary: Turf Green	Primary: Olive Green Secondary: Turf Green/Tan Blend
YARN COUNT	Primary: 5,000/8 Secondary: 5,820/12, 4,730/8	Primary: 5,040/1 Secondary: 4,200/8	Primary: 5,040/1 Secondary: 4,200/8 Colors: Yellow, Orange, Red, Gold, Blue, Lagoon Blue
TUFTING CONSTRUCTION	Dual yarn, same row	Dual yarn, same row	Dual yarn, same row
BLADE HEIGHT	1-1/4"	1"	1-1/2"
TUFTING GAUGE	3/8"	3/8"	3/8"
FACE WEIGHT	55 oz.'	58 oz.'	48 oz.'
TOTAL PRODUCT WEIGHT	105 oz.'	113 oz.'	103 oz.'
BACKING	Three-layer premium backing made with BioCel polyurethane and 100% recycled geotextile nonwoven fabric on a dual layer primary.	Three-layer premium backing made with BioCel polyurethane and 100% recycled geotextile nonwoven fabric on a dual layer primary.	Three-layer premium backing made with BioCel polyurethane and 100% recycled geotextile nonwoven fabric on a dual layer primary.
ANTISTATIC TECHNOLOGY	N/A	N/A	XStatic™ proprietary, patented antistatic technology
ANTIMICROBIAL PROTECTION	N/A	AlphaSan®	AlphaSan®
SEAMING	Micromechanical bonding	Micromechanical bonding	Micromechanical bonding
INFILL	Embankments: No infill Flat surfaces: 1.5 - 2.5 lbs. sand psf., 1 lb. rubber psf.	2 lbs. sand psf. recommended	0.75 - 1 lb. Rubber psf. required 3.75 - 4 lb. sand psf. required

Colors available in Playground Grass Ultra:



Lagoon Blue



Green



Gold



Orange



Red



Yellow



Blue

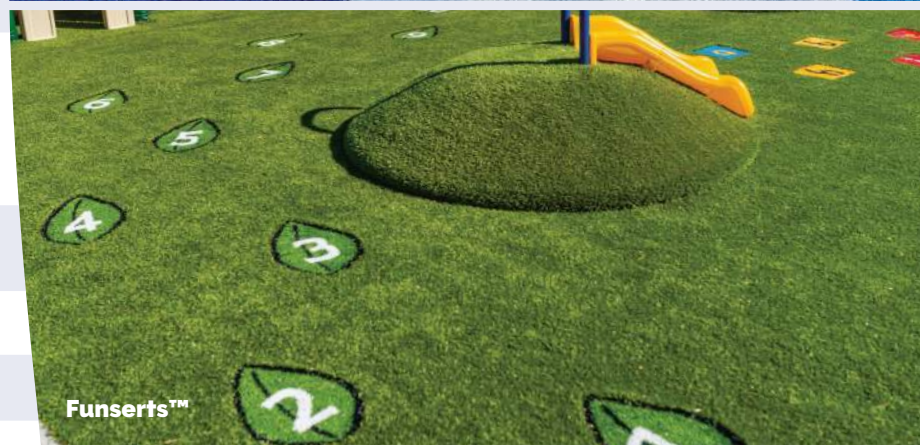
COMPONENTS

Playground Grass
ACADEMY

Playground Grass
ACCENT

Playground Grass
EXPLORE

YARN TYPE	Primary: Polyethylene slit film Secondary: Heat set textured nylon monofilament	Texturized polyethylene monofilament	Primary: Polyethylene slit film Secondary: Heat set textured nylon monofilament
YARN COLOR	Primary: Field Green Secondary: Turf Green/Tan Blend	Meadow Green, Florida Blue, White, Gray, Black, Red, Red Clay	Field Green
YARN COUNT	Primary: 8,000/1 Secondary: 5,040/12	5,600/8	Primary: 10,000/1 Secondary: 5,600/1
TUFTING CONSTRUCTION	Dual yarn, same row	Single yarn	Dual yarn, same row
BLADE HEIGHT	1-3/4"	3/4"	1/2"
TUFTING GAUGE	3/8"	3/16"	3/16"
FACE WEIGHT	48 oz.*	48 oz.*	35 oz.*
TOTAL PRODUCT WEIGHT	103 oz.*	Unitary: 75 oz.* 5mm Foam: 113 oz.*	97 oz.*
BACKING	Three-layer premium backing made with BioCel polyurethane and 100% recycled geotextile nonwoven fabric on a dual layer primary.	Unitary or foam	Three-layer premium backing made with BioCel polyurethane and 100% recycled geotextile nonwoven fabric on a dual layer primary.
ANTISTATIC TECHNOLOGY	N/A	N/A	N/A
ANTIMICROBIAL PROTECTION	N/A	N/A	N/A
SEAMING	Micromechanical bonding	Turf adhesive	Micromechanical bonding
INFILL	0.75 - 1 lb. rubber psf. required 3.75 - 4 lb. sand psf. required	None	None



*Product heights shown may have a variance of 1/8" and product weights shown may have a variance of 2%.

8007 Beeson St., Louisville, OH 44641
866.992.7876 | playgroundgrass.com



SANDBOX

Providing a great play place, this sandbox is a great addition to a play area!

#APS-Sandbox 12x12 Sandbox Package including cover, constructed with 8" high playground borders

No Color Options:

Approved as shown

**Note:
Sandbox does not ship with sand. Only with frame and cover.**

Be sure to purchase and install sand supplied for play area, typ.

Work with Dave Bang as needed for references to source sand.

SUBMITTAL SUBJECT TO CHANGE BY FACTORY

INSTALL GUIDE

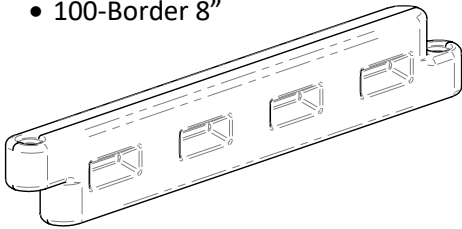
SAFETY

- Check to ensure that plans will meet local codes and guidelines
- Do not install on concrete, asphalt, or other hard surfaces
- Space equipment to ensure proper traffic flow and safe usage

KIT CONTENTS

Sandbox Components

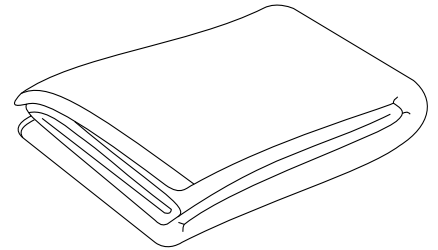
- 100-Border 8"



- 100-Spike 8"



- Sandbox Cover



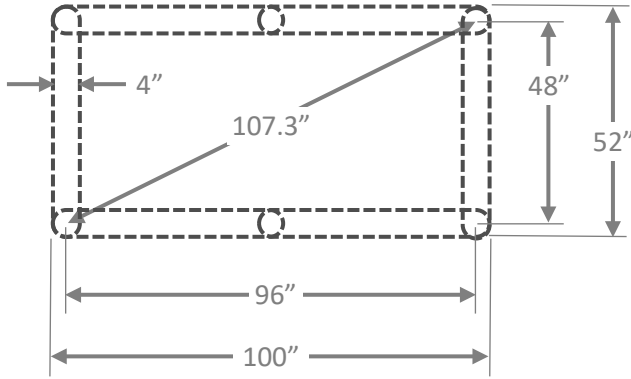
Items and Quantities

	APS-Sandbox 4'x8'	APS-Sandbox 8'x8'	APS-Sandbox 12'x12'
100-Border 8"	6 pcs.	8 pcs.	12 pcs.
100-Spike 8"	6 pcs.	8 pcs.	12 pcs.
Cover	300-4x8sandboxcover 1 pc.	300-8x8sandboxcover 1 pc.	300-12x12sandboxcover 1 pc.
Sand amount recommended (not included)	16 yds.	29 yds.	64 yds.

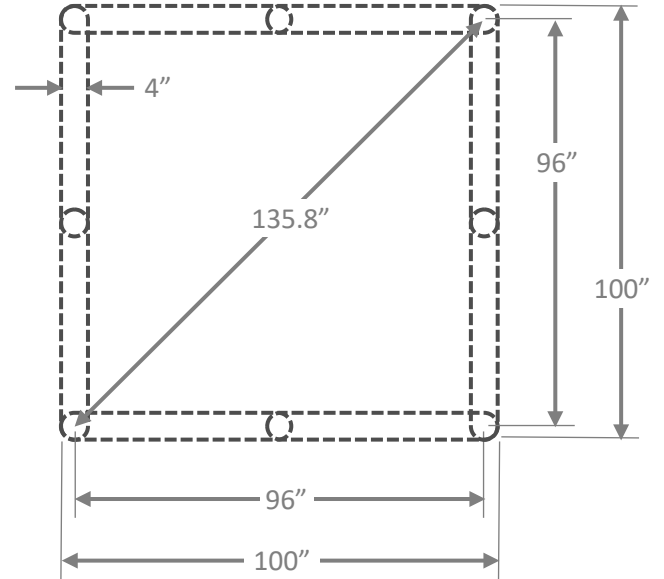
INSTALL GUIDE

DIMENSIONS

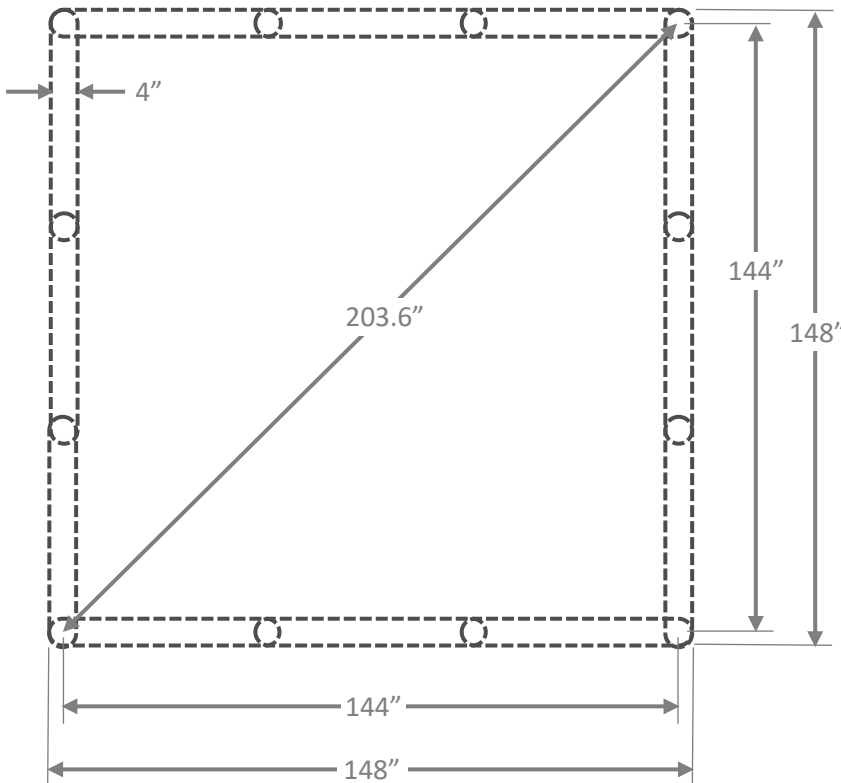
• 4' x 8'



• 8' x 8'



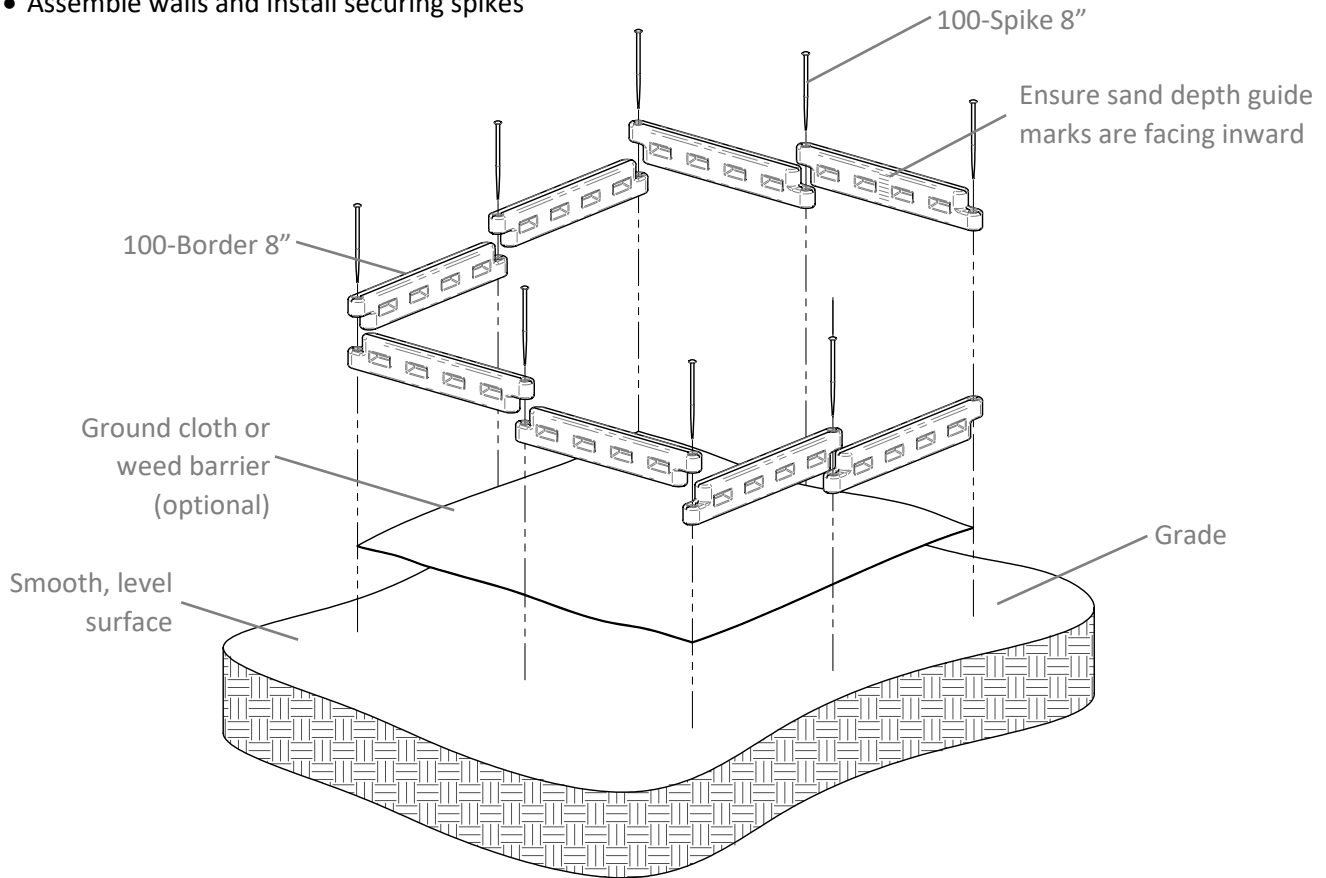
• 12' x 12'



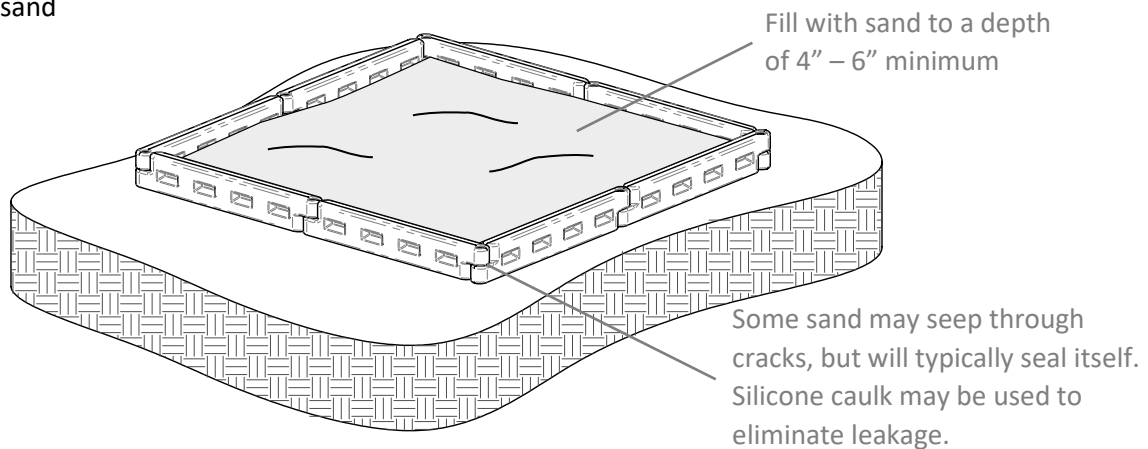
INSTALL GUIDE

INSTALLATION

- Assemble walls and install securing spikes

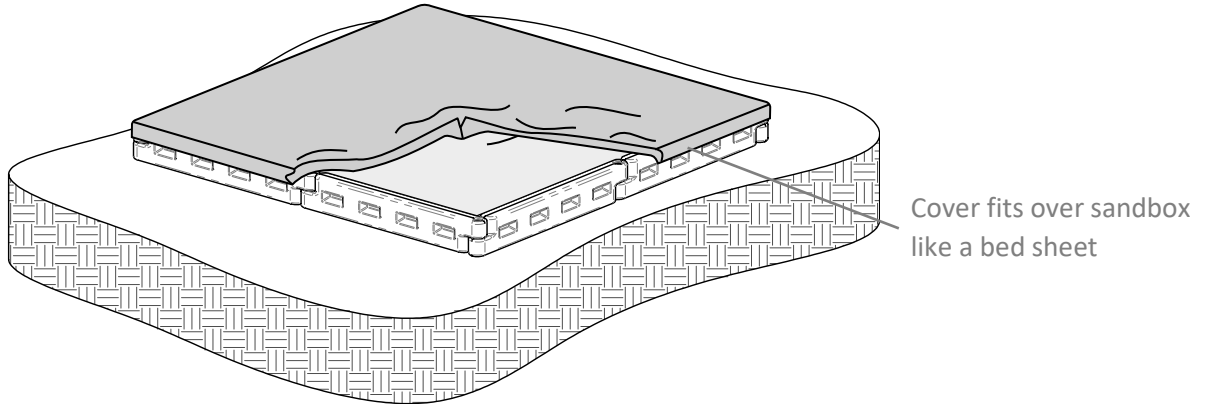


- Fill with sand

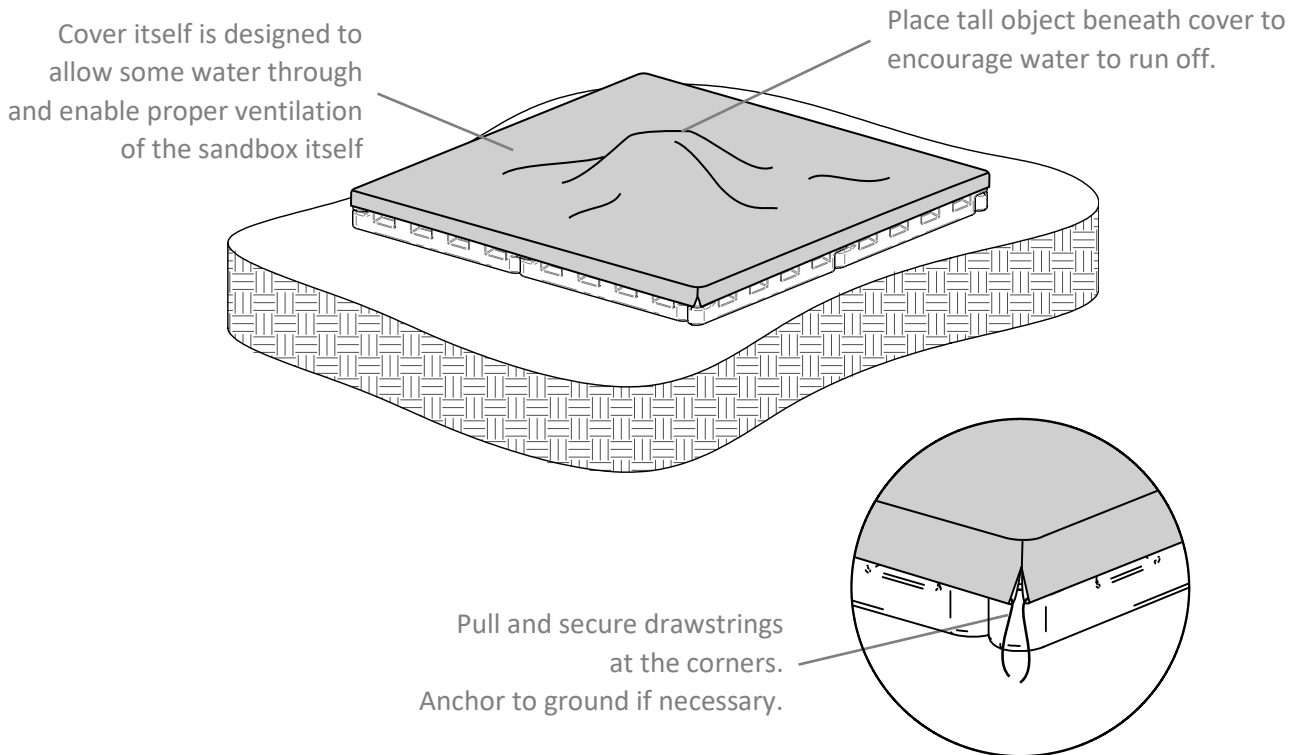


INSTALL GUIDE

- Install cover



- Always secure cover when not in use.





PLAYGROUND GRASS

Providing an eye-catching safety surface, this surfacing will add to any location.

Medium PlayMound with Slide – 8'

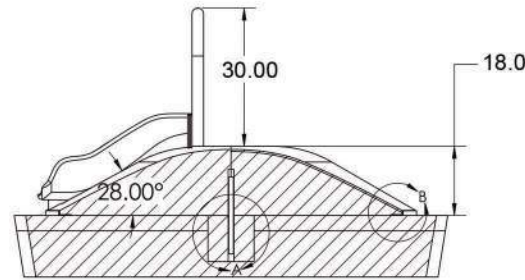
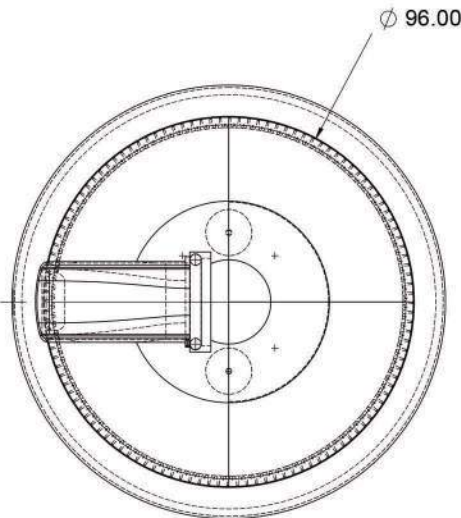
Approved as shown



SUBMITTAL SUBJECT TO CHANGE BY FACTORY

PlayMounds

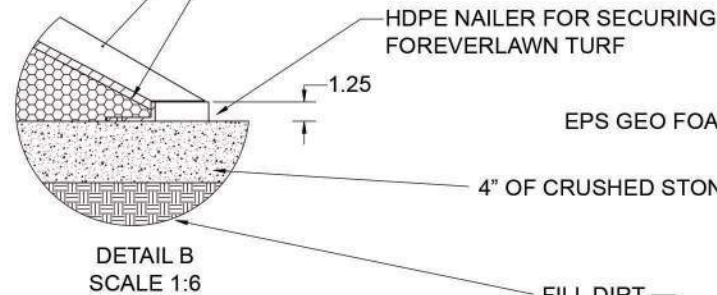
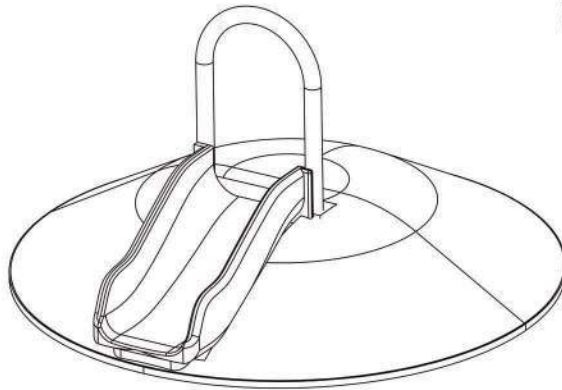
Medium PlayMound with Slide – 8'



PlayMounds™ patent pending Layering System by ForeverLawn®

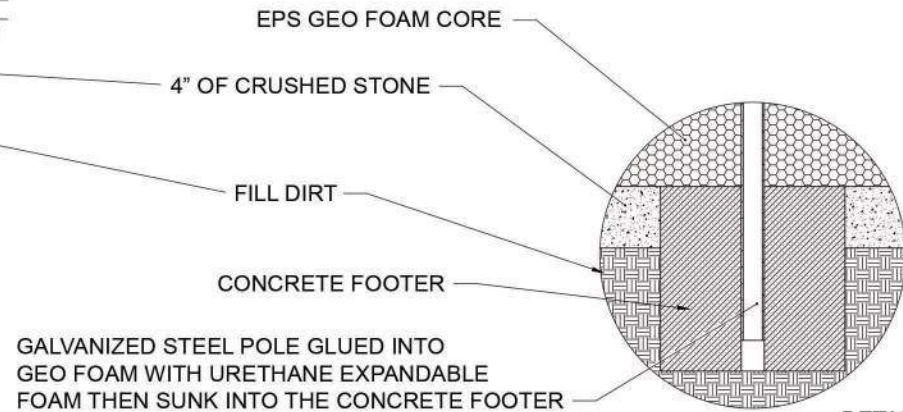
EPP PROTECTIVE FOAM LAYER
 EPS GEO FOAM CORE

PLAYMOUND SECTIONS MUST BE GLUED TOGETHER USING GREAT STUFF PRO™



DETAIL B
 SCALE 1:6

GROUND ANCHORING SYSTEM



DETAIL A
 SCALE 1:6

Material	Polystyrene
Covering	Turf (sold separately)
Weight	295 lb
Drawing No.	M1804
	05/24



STEPPERS

This feature adds a fun new way to play in any area it occupies!

1000220 Tree Slice

**Tree Slice Color:
Approved as
shown**



Tree Slice
1000220

L: 1'-6" x W: 1'-6" x H: 0'-4"
18 LBS each

SUBMITTAL SUBJECT TO CHANGE BY FACTORY



Uniquely themed Tree and Stone Slices as a balance and stepping feature. Constructed from Glass Fiber Reinforced Concrete (GFRC), these have the appearance of real tree stumps and boulders with a kid friendly flattened top.



Tree Slice
1000220

L: 1'-6" x W: 1'-6" x H: 0'-4"
18 LBS each



Stone Slice
1000205

L: 1'-6" x W: 1'-6" x H: 0'-4"
18 LBS each

~ Dimensions and weights are approximate ~
~ Heights shown from top of surfacing ~
User Group Age: 2-12

5121 Winnetka Ave N • Suite 108
New Hope, MN 55428
612.670.8195
info@cre8play.com
cre8play.com

PERCUSSION PLAY

This feature adds a fun new way to play and make sound!

#Harmony Flower



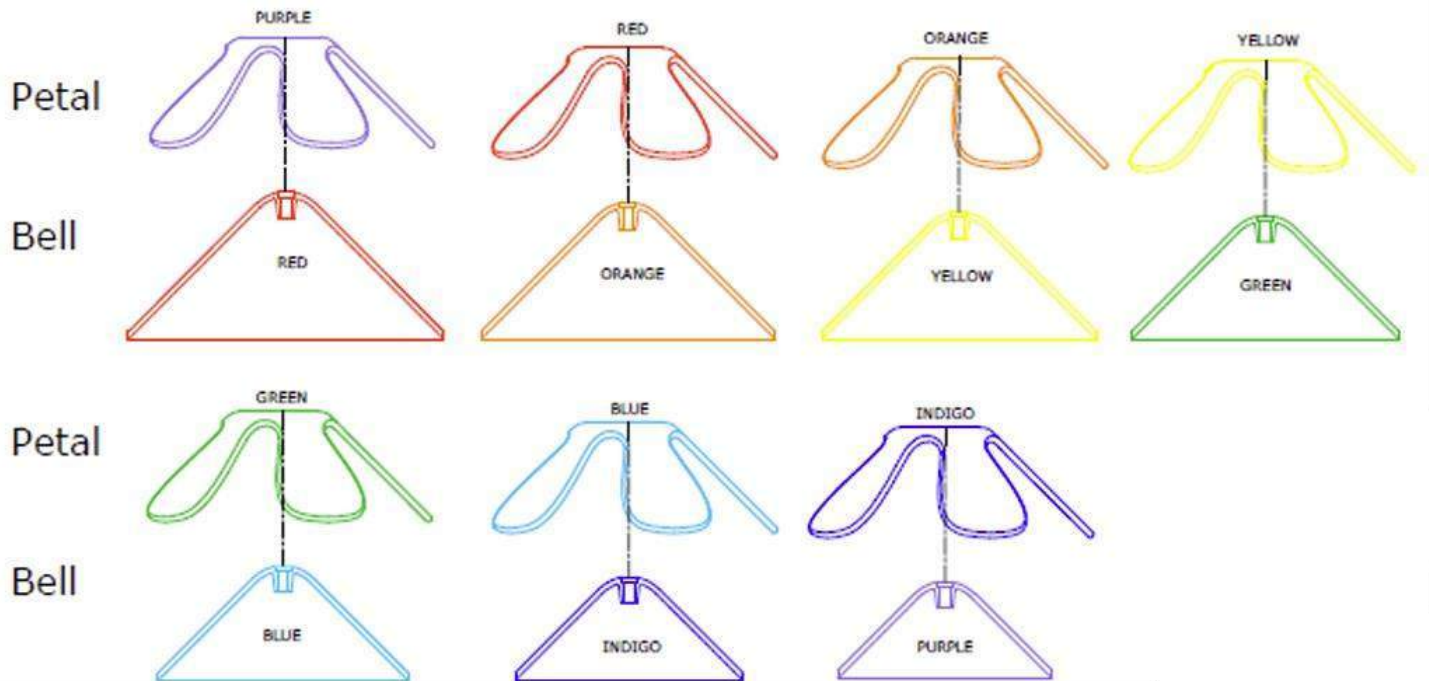
Choose Color(s):

Petal Color: **Orange, yellow, blue**

Bell Color: **Orange, yellow, blue**

Post Color: **Stainless Steel (Standard)**

PETAL & BELL COLOUR COMBINATIONS



SUBMITTAL SUBJECT TO CHANGE BY FACTORY

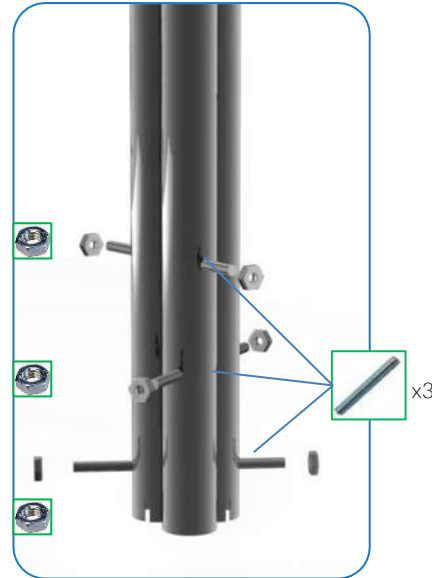


630mm / 25"



Installation Instructions

Ground Fixed
Harmony Flowers
Page 1 of 4



Weight of heaviest part **5Kg** (Large Flower)

Metric Conversion:
400mm/ 16"
1100mm/ 43"
1.5m/ 59"

1. Lay packaging out on floor and clear workspace with non-abrasive surface for assembly to prevent marking of polished stainless steel.

2. Unpack ground fixing extensions.

3. Cluster extensions together with M10 tapped holes facing outward and ground fixing holes aligned (**See Page 3**). Insert M10x200mm threaded bars into ground fixing holes and secure loosely with M10 BZP nuts.

4. Unpack Flowers and posts.

5. Pair Flowers with their respective posts, and assemble each Flower onto it's post (**See Page 2**).

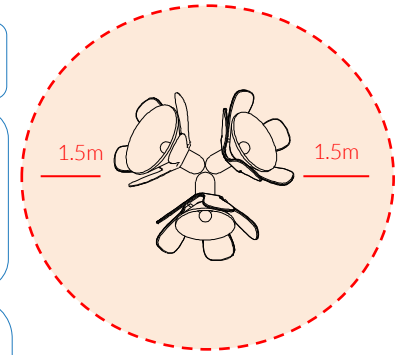
6. Sleeve each post over an extension (clustered) and secure with an M10x30 Screw, ensure their orientation and configuration is correct before tightening.

7. Excavate a hole for the frame **250mm diameter, tapering down to 350mm, 450 deep** in desired location upon decision from customer.

2. Fill bottom 50mm of hole with compressed aggregate.

9. Locate (lower) frame into hole making sure that the flowers are level and upright. **Do not bury the bolt and barrel nut holes.**

10. Once happy with location of the Flowers, **fill hole using rapid hardening concrete**. Be sure to compact concrete around legs and leave to dry according to manufactures guidelines.



Install Instrument with 1.5m free space (from widest point) around it.

CAUTION: Frame surface can get hot in direct sunlight, if possible install in shaded areas.



Small Beaters X3

Ground Fix Components:



x3
M10x200 Threaded bar



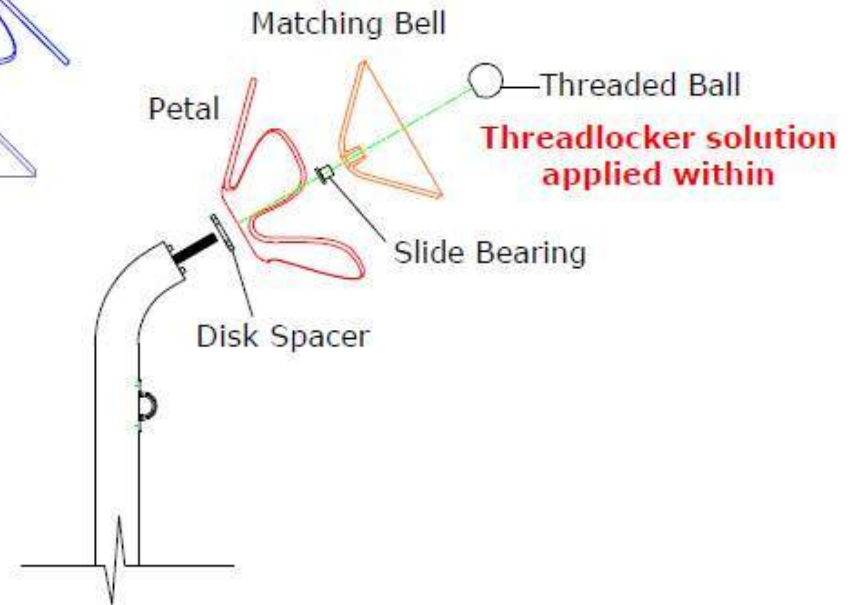
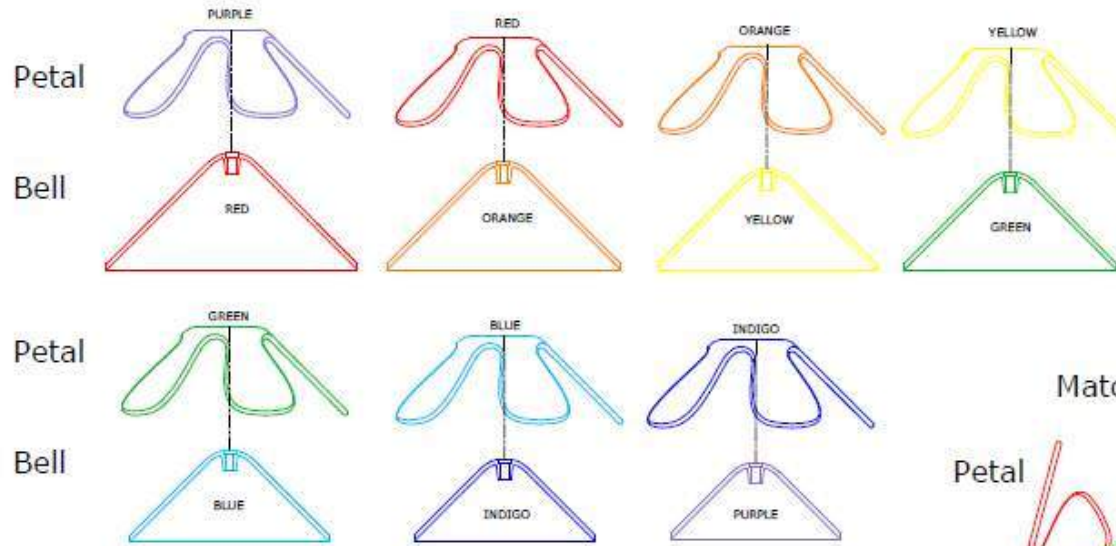
x6
M10 BZP Nut



Spares available from percussionplay.com or from your local distributor

15 Kg

PETAL & BELL COLOUR COMBINATIONS



Ground Fixed
Harmony Flowers
Page 2 of 4



Components:



Small
Beaters X3



Tools:
 x1
 TX 45 Driver Bit

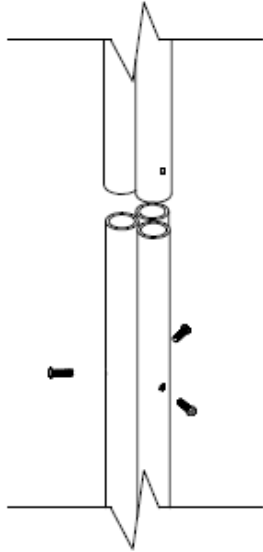
Ground Fixed
 Harmony Flowers
 Page 3 of 4



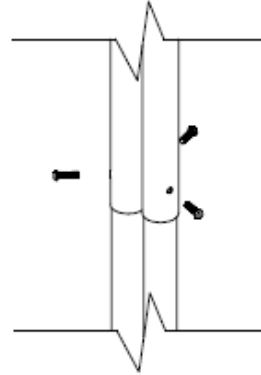
Components:



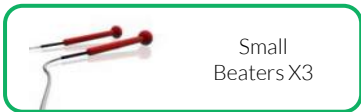
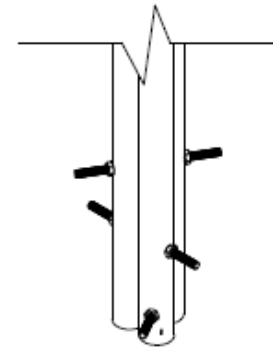
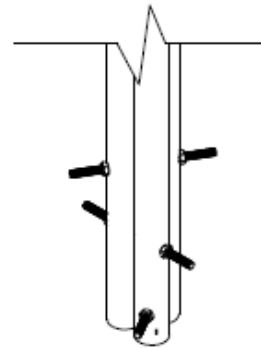
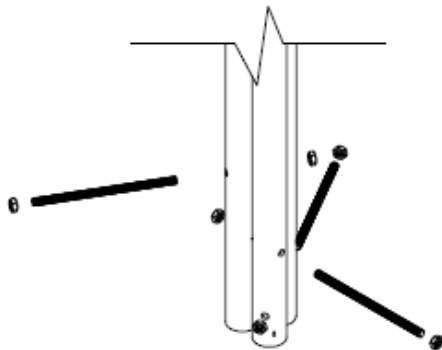
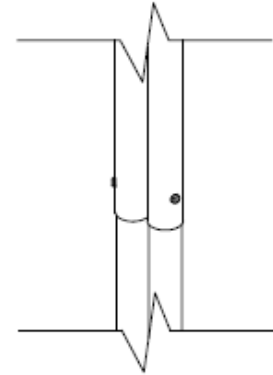
1.



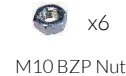
2.



3.



Ground Fix
 Components:



Spares available from
percussionplay.com or from your
 local distributor

15 Kg

Ground Fix Installation

Foundations should not present a hazard. These foundations are recommended as a guide, for more information on foundation details for various surface see Part 1 of BS EN 1176.

Ground Fixed
Harmony Flowers
Page 4 of 4

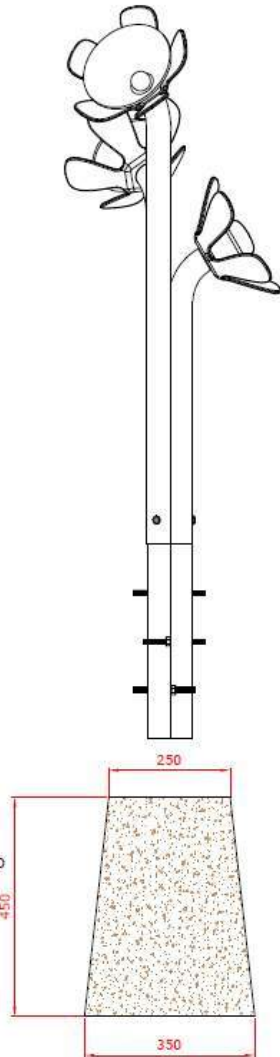


Ground Fix Components:

-  x3
- M10x200 Threaded Bar
-  x6
- M10 BZP Nut

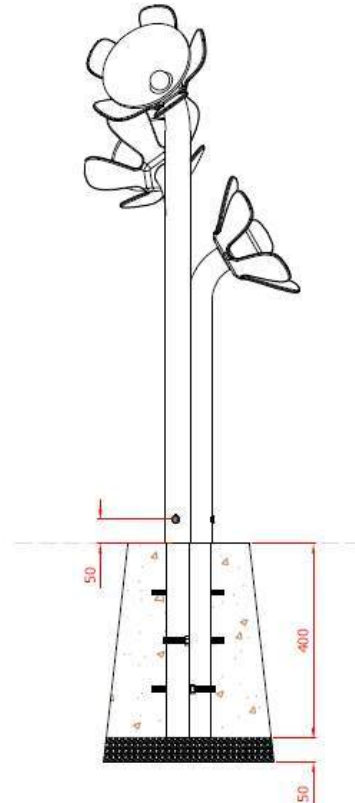
Metric Conversion:
50mm/ 2"
250mm/ 10"
350mm/ 14"
400mm/ 16"
450mm/ 18"

1. Excavate a hole with a 250mm diameter tapering down to 350mm diameter and 450mm depth.

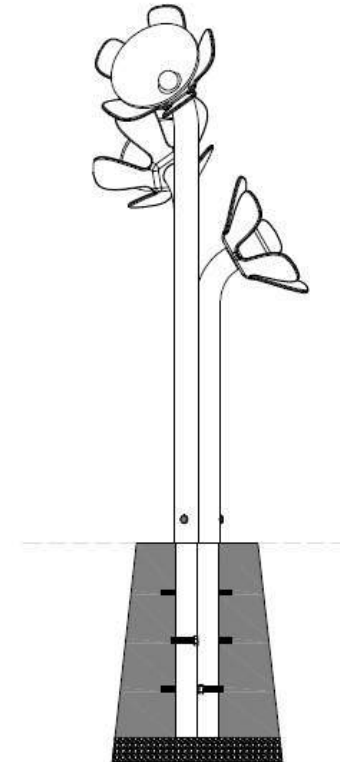


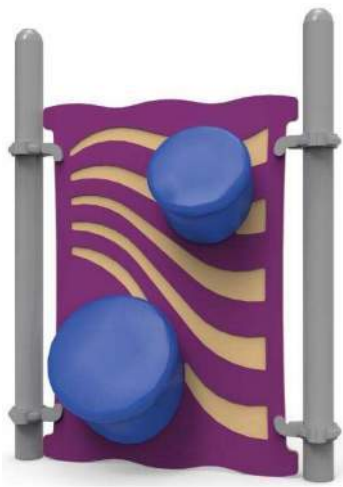
If Flower needs to be positioned lower a deeper hole can be excavated.

2. Compact base of hole with 50mm of aggregate. Lower ground Fix post attached to instrument into hole (check instrument straight and level before filling with concrete), ensuring 50mm of clearance between the ground and the bolt & barrel nut holes.

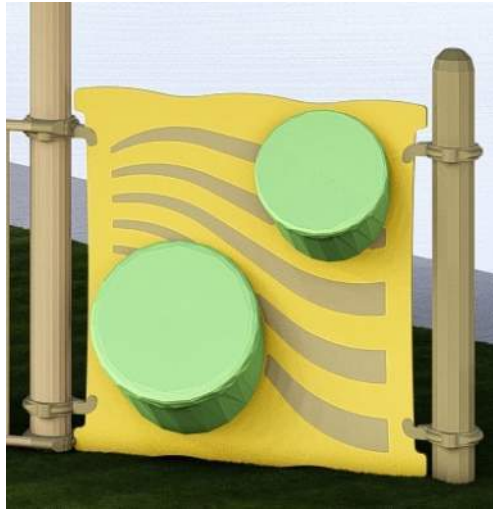


3. Fill hole with fast drying concrete to manufacturers specifications.





Product Image



Proposed Product Colors

PANELS

This feature adds a fun new way to play in any play area it occupies!

#ZZPM4587 Drum Panel (Ground Level)

Choose Color(s):

Post Color: **Beige**

Two-Tone Color: **Yellow - Sand**

Rotomold Color: **Lime (Drums)**

COMPONENT & POST COLOR OPTIONS:



TWO-TONE COLOR OPTIONS:



ROTOMOLD COLOR OPTIONS:



SUBMITTAL SUBJECT TO CHANGE BY FACTORY

Product Specifications

©Playworld Systems, Inc. Tuesday, October 15, 2024

DRUM PANEL (GROUND LEVEL)

5 in. Steel Clamp Band

Shall be die cast of high strength 380 aluminum alloy. Clamps shall be provided as hinged assemblies to facilitate structure assembly and an S-lap design to eliminate string entanglement. (See Die Cast Clamps) Finished with a shot blast and a powder coating. (See Superdurable Polyester Powder Coat Finish) Because a hinged clamp design provides the easiest and most flexible installation, clamps which incorporate a slip-through design or clamping devices that use a "bolt through" design are not acceptable. The use of two (2) piece steel half clamps are not acceptable due to poor weatherability and inherent rust problem.

Plastic Panel - .75 in.

Shall be fabricated from colored marine grade, .75 in. high density polyethylene and machined. Shall be ultraviolet (UV) stabilized. Meets FDA requirements. ASTM Specifications: D-1238 (Melt Index), D-1505 (Material Density), D-638 (Tensile Strength), D-648 (Heat Distortion Temperature) D-790 (Flexural Modulus), D-1693 and D-2561 (Environmental Stress Crack Resistance), D-2240 (Hardness), D-1822 (Tensile Impact) D-746 (Brittleness), D-1525 (Softening Point).

Panel Connector

Shall be cast of high strength Almag 35 (535.0-F) aluminum alloy. (See Cast Almag Clamps) Finished with a 420 micro finish and a baked on polyester powder coating. (See Superdurable Polyester Powder Coat Finish)

Rotomolded Drum

Shall be rotationally molded from linear low density polyethylene. (See Rotationally Molded Plastic Parts) Dry-blended or molded-in color resins are not acceptable. Threaded inserts are molded into the plastic to provide attachment points for the drum

* See Note

Component Number:	ZZPM4587
Specification Rev:	PA0978
Component Weight:	62.86
Number of Users:	2
Amount of Concrete:	0
Pre-Consumer Recycle:	11.004
Post-Consumer Recycle:	4.816
CO2e Footprint:	486.4



Product Image



Proposed Product Colors

PANELS

This feature adds a fun new way to play in any play area it occupies!

#ZZPM4298 ABC & 123 Panel (Ground Level)

Choose Color(s):

Post Color: **Beige**

Two-Tone Color: **Lime - Sand**

COMPONENT & POST COLOR OPTIONS:



TWO-TONE COLOR OPTIONS:



SUBMITTAL SUBJECT TO CHANGE BY FACTORY

Product Specifications

©Playworld Systems, Inc. Tuesday, October 15, 2024

ABC & 123 PANEL (GROUND LEVEL)

5 in. Steel Clamp Band

Shall be die cast of high strength 380 aluminum alloy. Clamps shall be provided as hinged assemblies to facilitate structure assembly and an S-lap design to eliminate string entanglement. (See Die Cast Clamps) Finished with a shot blast and a powder coating. (See Superdurable Polyester Powder Coat Finish) Because a hinged clamp design provides the easiest and most flexible installation, clamps which incorporate a slip-through design or clamping devices that use a "bolt through" design are not acceptable. The use of two (2) piece steel half clamps are not acceptable due to poor weatherability and inherent rust problem.

Plastic Panel - .75 in.

Shall be fabricated from colored marine grade, .75 in. high density polyethylene and machined. Shall be ultraviolet (UV) stabilized. Meets FDA requirements. ASTM Specifications: D-1238 (Melt Index), D-1505 (Material Density), D-638 (Tensile Strength), D-648 (Heat Distortion Temperature) D-790 (Flexural Modulus), D-1693 and D-2561 (Environmental Stress Crack Resistance), D-2240 (Hardness), D-1822 (Tensile Impact) D-746 (Brittleness), D-1525 (Softening Point).

Panel Connector

Shall be cast of high strength Almag 35 (535.0-F) aluminum alloy. (See Cast Almag Clamps) Finished with a 420 micro finish and a baked on polyester powder coating. (See Superdurable Polyester Powder Coat Finish)

ZZPM4298



* See Note

Component Number:	ZZPM4298
Specification Rev:	NA
Component Weight:	54.26
Number of Users:	2
Amount of Concrete:	0
Pre-Consumer Recycle:	16.104
Post-Consumer Recycle:	4.816
CO2e Footprint:	366.2



Product Image



Proposed Product Colors

SAND & WATER PLAY

This feature adds a fun new way to play on any play area it occupies!

#ZZXX1275 2 Basin Accessible Sand & Water Table w/ Roofs

Choose Color(s):

Post Color: **Beige**

Sheet Color: **Blue and Lime**

Roto Color: **Blue, Lime, and Yellow**

COMPONENT & POST COLOR OPTIONS:



Note:
 Dave Bang will designate Roto 1, 2, and 3 on actual order.
 Work with Dave Bang to specify colors in order to match accompanying rendering

ROTMOLDED COLOR OPTIONS:



SHEET COLOR OPTIONS:



SUBMITTAL SUBJECT TO CHANGE BY FACTORY



Product Specifications

©Playworld Systems, Inc. Monday, January 30, 2023

2 BASIN ACCESSIBLE SAND & - WATER TABLE w/ROOFS

Steel Tubing - 3.5 in. OD, 13 ga.

Tensile strength shall be 55,000 psi. Yield strength shall be 50,000 psi.

Rotomolded Roof

Shall be rotationally molded from linear low density polyethylene. (See Rotationally Molded Plastic Parts) Dry-blended or molded-in color resins are not acceptable. Any graphics shall be molded in during the manufacturing process.

Sand & Water Table Support Leg

Shall be fabricated of 3.5 in. outside diameter, 13 gauge galvanized steel tubing and 7 gauge hot rolled pickled and oiled steel. Shall be finished with a baked on polyester powder coating. (See Superdurable Polyester Powder Coat Finish)

Sand & Water Table Top Panel and Cover

Shall be fabricated from colored marine grade, .50 in. or .75 in. high density polyethylene and machined. Shall be ultraviolet (UV) stabilized. Meets FDA requirements. ASTM Specifications: D-1238 (Melt Index), D-1505 (Material Density), D-638 (Tensile Strength), D-648 (Heat Distortion Temperature) D-790 (Flexural Modulus), D-1693 and D-2561 (Environmental Stress Crack Resistance), D-2240 (Hardness), D-1822 (Tensile Impact) D-746 (Brittleness), D-1525 (Softening Point).

Sand & Water Table Oval Bubble

Shall be fabricated of .188 in. clear polycarbonate. Shall have UV resistant properties. Ultimate tensile strength shall be 9,500 psi. Yield strength shall be 9,000 psi. Compressive strength shall be 10,400 psi.

Cap/Casting -319 Almag Alum

Cast of regular 319 (319.0-F) aluminum. Ultimate tensile strength shall be 23 ksi. Yield strength shall be 13 ksi. Finished with a 420 micro finish and a baked on polyester powder coating. (See Superdurable Polyester Powder Coat Finish) ASTM Specifications: B-26. Federal Specifications: QQ-A-601.

Sand & Water Table Top Panel & new Cover

Shall be fabricated from colored marine grade, .75 in. high density polyethylene and machined. Shall be ultraviolet (UV) stabilized. Meets FDA requirements. ASTM Specifications: D-1238 (Melt Index), D-1505 (Material Density), D-638 (Tensile Strength), D-648 (Heat Distortion Temperature) D-790 (Flexural Modulus), D-1693 and D-2561 (Environmental Stress Crack Resistance), D-2240 (Hardness), D-1822 (Tensile Impact) D-746 (Brittleness), D-1525 (Softening Point).

ZZXX1275

* See Note

Component Number:	ZZXX1275
Specification Rev:	PA1083
Component Weight:	259.93
Number of Users:	11
Amount of Concrete:	0.39
Pre-Consumer Recycle:	46.578
Post-Consumer Recycle:	45.55
CO2e Footprint:	1453.1



Product Image



Proposed Product Colors

PANELS

This feature adds a fun new way to play in any play area it occupies!

#ZZPM5190 Crawl Thru Panel (Ground Level)

Choose Color(s):

Post Color: **Beige**

Roto Color: **Orange**

COMPONENT & POST COLOR OPTIONS:



ROTOMOLD COLOR OPTIONS:



SUBMITTAL SUBJECT TO CHANGE BY FACTORY

Product Specifications

©Playworld Systems, Inc. Tuesday, October 15, 2024

CRAWL THRU PANEL - (GROUND LEVEL)

5 in. Steel Clamp Band

Shall be die cast of high strength 380 aluminum alloy. Clamps shall be provided as hinged assemblies to facilitate structure assembly and an S-lap design to eliminate string entanglement. (See Die Cast Clamps) Finished with a shot blast and a powder coating. (See Superdurable Polyester Powder Coat Finish) Because a hinged clamp design provides the easiest and most flexible installation, clamps which incorporate a slip-through design or clamping devices that use a "bolt through" design are not acceptable. The use of two (2) piece steel half clamps are not acceptable due to poor weatherability and inherent rust problem.

Rotomolded Plastic Panel/Component - .25 in.

Shall be rotationally molded from linear low density polyethylene. (See Rotationally Molded Plastic Parts) Dry-blended or molded-in color resins are not acceptable.

Panel Connector

Shall be cast of high strength Almag 35 (535.0-F) aluminum alloy. (See Cast Almag Clamps) Finished with a 420 micro finish and a baked on polyester powder coating. (See Superdurable Polyester Powder Coat Finish)

ZZPM5190



* See Note

Component Number:	ZZPM5190
Specification Rev:	PA565
Component Weight:	34.46
Number of Users:	1
Amount of Concrete:	0
Pre-Consumer Recycle:	2.336
Post-Consumer Recycle:	4.856
CO2e Footprint:	279.1



Product Image



Proposed Product Colors

SKILL & LEARNING PANEL

This feature adds a fun new way to play in any play area it occupies!

#ZZPM4350 Tic-Tac-Toe Activity Panel

Choose Color(s):

Post Color: **Beige**

Component Color: **Beige**

Roto Color: **Lime**

POST & COMPONENT COLOR OPTIONS:



ROTOMOLDED COLOR OPTIONS:



SUBMITTAL SUBJECT TO CHANGE BY FACTORY

Product Specifications

©Playworld Systems, Inc. Wednesday, February 28, 2024

TIC-TAC-TOE ACTIVITY PANEL

Component Number:	ZZPM4350
Specification Rev:	ECN533
Component Weight:	80
Number of Users:	2
Amount of Concrete:	0
Pre-Consumer Recycle:	12.758
Post-Consumer Recycle:	25.6707
CO2e Footprint:	387.8

5 in. Steel Clamp Band

Shall be die cast of high strength 380 aluminum alloy. Clamps shall be provided as hinged assemblies to facilitate structure assembly and an S-lap design to eliminate string entanglement. (See Die Cast Clamps) Finished with a shot blast and a powder coating. (See Superdurable Polyester Powder Coat Finish) Because a hinged clamp design provides the easiest and most flexible installation, clamps which incorporate a slip-through design or clamping devices that use a "bolt through" design are not acceptable. The use of two (2) piece steel half clamps are not acceptable due to poor weatherability and inherent rust problem.

Steel Tubing - 1.315 in. OD, 12 ga.

Tensile strength shall be 75,000 psi. Yield strength shall be 60,000 psi.

Rotomolded Cylinder

Shall be rotationally molded from polyethylene. (See Rotationally Molded Plastic Parts) Dry-blended or molded-in color resins are not acceptable.

Tie Rod - PM

Shall be fabricated of 1.315 in. outside diameter, 12 gauge galvanized steel tubing (See Tubing). Finished with a baked on polyester powder coating or PrismCoat. (See PrismCoat / Polyester Powder Coat Finish) Tie rods are to be permanently fastened inside the clamp with a drive rivet to eliminate rotation. ASTM Specifications: E-8 and B-117.

Tie Rod - WT / CH / PM / EX

Shall be fabricated of 1.029 in. outside diameter, 14 gauge galvanized steel tubing. (See Tubing) Finished with a baked on polyester powder coating or PrismCoat. (See PrismCoat / Polyester Powder Coat Finish)

Steel Tubing - 1.029 in. OD, 14 ga.

Tensile strength shall be 55,000 psi. Yield strength shall be 50,000 psi.

Activity Panel Plastic Parts- .5 in.

Shall be fabricated from colored marine grade, .5 in. (13 mm) high density polyethylene and machined. Shall be ultraviolet (UV) stabilized. Meets FDA requirements. ASTM Specifications: D-1238 (Melt Index), D-1505 (Material Density), D-638 (Tensile Strength), D-648 (Heat Distortion Temperature) D-790 (Flexural Modulus), D-1693 and D-2561 (Environmental Stress Crack Resistance), D-2240 (Hardness), D-1822 (Tensile Impact) D-746 (Brittleness), D-1525 (Softening Point).



PLAYGROUND GRASS

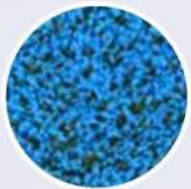
Providing an eye-catching safety surface, this surfacing will add to any location.

Standard PlayMound 10'

CHOOSE COLOR:

TURF: **Green**

COLOR OPTIONS:



Lagoon Blue



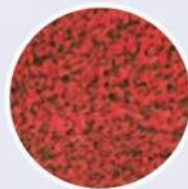
Green



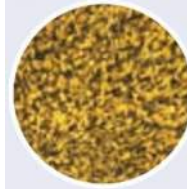
Gold



Orange



Red



Yellow

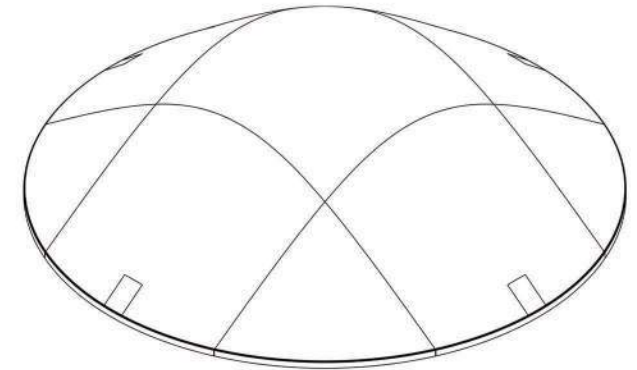
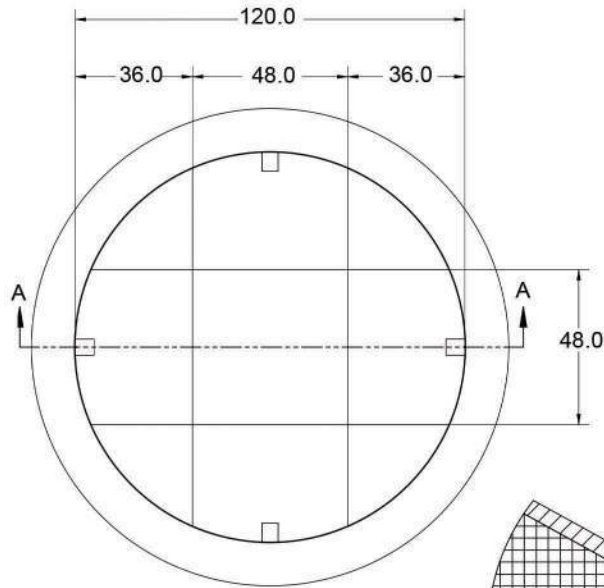


Blue

SUBMITTAL SUBJECT TO CHANGE BY FACTORY

PlayMounds

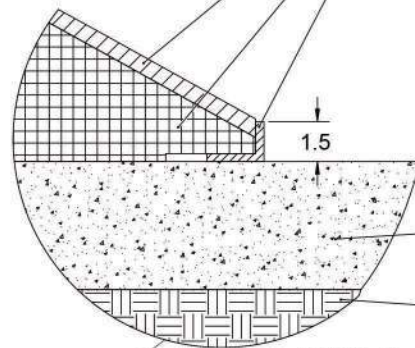
Standard PlayMound – 10'



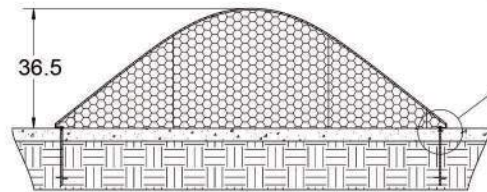
PlayMounds™ patent pending Layering System by ForeverLawn®

- EPP PROTECTIVE FOAM LAYER
- EPS GEO FOAM CORE
- HDPE NAILER FOR SECURING FOREVERLAWN TURF

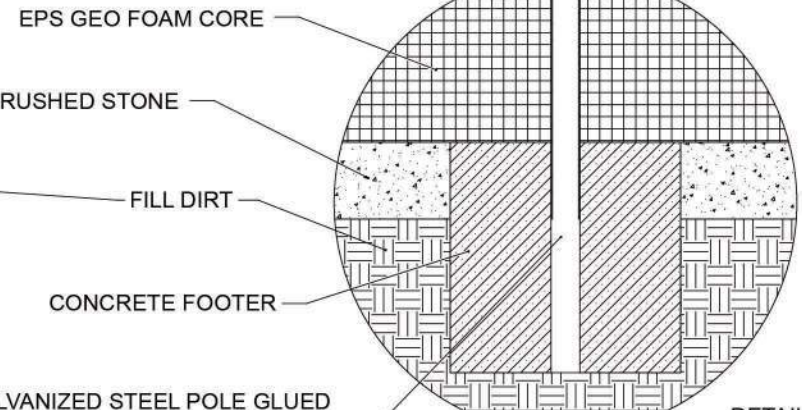
GROUND ANCHORING SYSTEM



DETAIL A
SCALE 1:3



SECTION A-A



DETAIL B
SCALE 1:5

GALVANIZED STEEL POLE GLUED INTO GEO FOAM WITH URETHANE EXPANDABLE FOAM THEN SUNK INTO THE CONCRETE FOOTER

Units: Feet and inches



330.499.8873 • foreverlawn.com
8007 Beeson St., Louisville, OH 44641



microsite.caddetails.com/1148

Material	Polystyrene
Covering	Turf (sold separately)
Weight	325 lb
Drawing No.	M1469 05/24



Product Image



Proposed Product Colors

PLAYTOWN

This feature adds a fun new way to play in any play area it occupies!

#ZZPM4447 SLIDE-N-PEARN PANEL (GROUND LEVEL)

Choose Color(s):

Post Color: **Beige**

2-Tone Color: **Blue-Sand**

COMPONENT & POST COLOR OPTIONS:



TWO-TONE COLOR OPTIONS:



SUBMITTAL SUBJECT TO CHANGE BY FACTORY

Product Specifications

©Playworld Systems, Inc. Friday, September 20, 2024

SLIDE-N-LEARN PANEL - (GROUND LEVEL)

5 in. Steel Clamp Band

Shall be die cast of high strength 380 aluminum alloy. Clamps shall be provided as hinged assemblies to facilitate structure assembly and an S-lap design to eliminate string entanglement. (See Die Cast Clamps) Finished with a shot blast and a powder coating. (See Superdurable Polyester Powder Coat Finish) Because a hinged clamp design provides the easiest and most flexible installation, clamps which incorporate a slip-through design or clamping devices that use a "bolt through" design are not acceptable. The use of two (2) piece steel half clamps are not acceptable due to poor weatherability and inherent rust problem.

Plastic Panel - .75 in.

Shall be fabricated from colored marine grade, .75 in. high density polyethylene and machined. Shall be ultraviolet (UV) stabilized. Meets FDA requirements. ASTM Specifications: D-1238 (Melt Index), D-1505 (Material Density), D-638 (Tensile Strength), D-648 (Heat Distortion Temperature) D-790 (Flexural Modulus), D-1693 and D-2561 (Environmental Stress Crack Resistance), D-2240 (Hardness), D-1822 (Tensile Impact) D-746 (Brittleness), D-1525 (Softening Point).

Spacer / Connector / Cover - Delrin

Shall be machined from black Delrin.

Panel Connector

Shall be cast of high strength Almag 35 (535.0-F) aluminum alloy. (See Cast Almag Clamps) Finished with a 420 micro finish and a baked on polyester powder coating. (See Superdurable Polyester Powder Coat Finish)

ZZPM4447

* See Note

Component Number:	ZZPM4447
Specification Rev:	PA1125
Component Weight:	79.86
Number of Users:	1
Amount of Concrete:	0
Pre-Consumer Recycle:	23.316
Post-Consumer Recycle:	4.816
CO2e Footprint:	669.1



Product Image



Proposed Product Colors

PANELS

This feature adds a fun new way to play in any play area it occupies!

#ZZPM4589 Bell Panel (Ground Level)

Choose Color(s):

Post Color: **Beige**

Two-Tone Color: **Blue-Yellow**

COMPONENT & POST COLOR OPTIONS:



TWO-TONE COLOR OPTIONS:



SUBMITTAL SUBJECT TO CHANGE BY FACTORY

Product Specifications

ZZPM4589

©Playworld Systems, Inc. Tuesday, October 15, 2024

BELL PANEL (GROUND LEVEL)

5 in. Steel Clamp Band

Shall be die cast of high strength 380 aluminum alloy. Clamps shall be provided as hinged assemblies to facilitate structure assembly and an S-lap design to eliminate string entanglement. (See Die Cast Clamps) Finished with a shot blast and a powder coating. (See Superdurable Polyester Powder Coat Finish) Because a hinged clamp design provides the easiest and most flexible installation, clamps which incorporate a slip-through design or clamping devices that use a "bolt through" design are not acceptable. The use of two (2) piece steel half clamps are not acceptable due to poor weatherability and inherent rust problem.

Plastic Panel - .75 in.

Shall be fabricated from colored marine grade, .75 in. high density polyethylene and machined. Shall be ultraviolet (UV) stabilized. Meets FDA requirements. ASTM Specifications: D-1238 (Melt Index), D-1505 (Material Density), D-638 (Tensile Strength), D-648 (Heat Distortion Temperature) D-790 (Flexural Modulus), D-1693 and D-2561 (Environmental Stress Crack Resistance), D-2240 (Hardness), D-1822 (Tensile Impact) D-746 (Brittleness), D-1525 (Softening Point).

Connector / Adapter - 535 Almag

Shall be cast of high strength Almag 35 (535.0-F) aluminum alloy. (See Cast Almag Clamps) Finished with a 420 micro finish and a baked on polyester powder coating. (See Superdurable Polyester Powder Coat Finish)

Connector - reg 319 aluminum

Cast of regular 319 (319.0-F) aluminum. Ultimate tensile strength shall be 27 ksi. Yield strength shall be 18 ksi. Finished with a 420 micro finish and a baked on polyester powder coating. (See Superdurable Polyester Powder Coat Finish) ASTM Specifications: B-26. Federal Specifications: QQ-A-601.

Bell - Aluminum

Cast of regular 319 (319.0-F) aluminum. Ultimate tensile strength shall be 27 ksi. Yield strength shall be 18 ksi. Finished with a 420 micro finish and a baked on polyester powder coating. (See Superdurable Polyester Powder Coa) ASTM Specifications: B-26. Federal Specifications: QQ-A-601

Plastic Panel - .5 in.

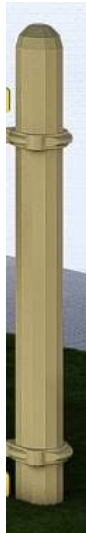
Shall be fabricated of .50 in. (12 mm) high density sheet polyethylene. Shall be ultraviolet (UV) stabilized. Meets FDA requirements. ASTM Specifications: D-1238 (Melt Index), D-1505 (Material Density), D-638 (Tensile Strength), D-648 (Heat Distortion Temperature) D-790 (Flexural Modulus), D-1693 and D-2561 (Environmental Stress Crack Resistance), D-2240 (Hardness), D-1822 (Tensile Impact), D-746 (Brittleness), D-1525 (Vicat Softening Point).

* See Note

Component Number:	ZZPM4589
Specification Rev:	PA0979
Component Weight:	61.21
Number of Users:	2
Amount of Concrete:	0
Pre-Consumer Recycle:	19.519
Post-Consumer Recycle:	13.116
CO2e Footprint:	483



Product Image



Proposed Product Colors

POST

This feature adds a fun new way to play!

#ZZPM0357 Steel Post with Cap

Choose Color:

Post: Beige

POST & COMPONENT COLOR OPTIONS:



SUBMITTAL SUBJECT TO CHANGE BY FACTORY

Product Specifications

©Playworld Systems, Inc. Monday, May 15, 2023

5in x 84in STEEL POST w/CAP

5 in. Support Post w/ End Cap

Shall be fabricated of 5 in. outside diameter, 11 gauge galvanized steel tubing. (See Tubing) Shall have a factory installed riveted end cap. Finished with a baked on polyester powder coating or PrismCoat. (See PrismCoat / Polyester Powder Coat Finish)

Steel Tubing - 5 in. OD, 11 ga.

Tensile strength shall be 55,000 psi. Yield strength shall be 50,000 psi.

ZZPM0357

* See Note

Component Number:	ZZPM0357
Specification Rev:	PA1181
Component Weight:	53.03 Lbs.
Amount of Concrete:	0.12 Yds.
Pre-Consumer Recycle:	10.60 Lbs.
Post-Consumer Recycle:	21.74 Lbs.
CO2e Footprint:	72.60 Kgs.

* The photos shown are for product representation only. The actual products may vary in size and color depending upon application.



100% PRE-PACKAGED FOODS

Persons constructing, remodeling or otherwise opening food facilities selling pre-packaged foods only may be exempt from certain requirements indicated in the CONSTRUCTION PLAN APPROVAL PROCEDURES FOR FOOD FACILITIES available from this office. To qualify as a pre-packaged food facility there shall be:

- NO Cooking, Food preparation, packaging or re-packaging foods
- NO Ice making, bagging or dispensing
- NO Beverage or coffee dispensing, mixing or preparation
- NO Unwrapped beef jerky, candy, or other unpackaged foods
- NO Beer tappers rented or otherwise available to customers

Satisfaction of the above requirements would allow exemption from the following Sections of the "General Construction and Equipment Requirements" contained in the CONSTRUCTION PLAN APPROVAL PROCEDURES FOR FOOD FACILITIES:

- Section 5. Hoods
- Section 7. Ice Machines
- Section 9. Kitchen Utensil Sinks
- Section 10. Food/Vegetable Preparation Sinks
- Section 11. Eating and Drinking Utensil Sinks
- Section 12. Automatic Dishwasher/Glass Washer
- Section 13. Garbage Disposals
- Section 15. Hand Wash Sinks
- Section 17. Dipper Wells
- Section 19. Service of Unpackaged Foods
- Section 23. Pass-Thru Windows

Partial exemptions will be allowed, as indicated below, on the following Sections:

Section 1A: Dry goods storage area only in large retail facilities (over 20,000 sq. ft.) shall be exempt from continuous sanitary floor cove requirements.

Section 24A: Air curtains shall not be required at delivery doors of pre-packaged food facilities.

ALL SECTIONS AND REQUIREMENTS not listed above will be required for plan approval and must be incorporated in the construction of the facility. IF at any time during construction or subsequent regular inspections the facility is found to no longer qualify as a pre-packaged facility as defined above, the facility will be considered to have been "remodeled" and will require additional plan check and full compliance with ALL sections of the CONSTRUCTION PLAN APPROVAL PROCEDURES FOR FOOD FACILITIES.



Bernards
 555 First Street
 San Fernando, California 91340
 P: (818) 898-1521
 F: (818) 361-9208

**Project: 1868 French Valley Childcare and Early
 Childhood Learning Experience**
 31530 Skyview Road
 Winchester, California 92596

Submittal #173.0 - Lakeshore Childcare Materials and Furniture - Submittal Package

Revision	0	Submittal Manager	Hussein Darwiche (Bernards)
Status	Open	Date Created	Oct 22, 2025
Issue Date	Oct 22, 2025	Spec Section	
Responsible Contractor	Goforth & Marti	Received From	
Received Date		Submit By	
Final Due Date	Nov 7, 2025	Lead Time	
		Cost Code	
Location		Type	

Submittal Package

Approvers Hussein Darwiche (Bernards), Hesham Hassan (Bernards), Peter Fox (PBK Architects Inc), Mark Graham (PBK Architects Inc), LuzMaria Ramirez (PBK Architects Inc)

Ball in Court Hussein Darwiche (Bernards), Hesham Hassan (Bernards)

Distribution

Description










Submittal Workflow

Name	Sent Date	Due Date	Returned Date	Response	Attachments
General Information Attachments					
jennifer Colindres		Nov 11, 2025	Oct 22, 2025	For Bernards Review	FFCs 244754 BERNARDS 10-13-2025 Part 2.pdf (Current)
Hussein Darwiche	Oct 22, 2025	Oct 24, 2025		Pending	
Hesham Hassan	Oct 22, 2025	Oct 24, 2025		Pending	
Peter Fox		Nov 7, 2025		Pending	
Mark Graham		Nov 7, 2025		Pending	
LuzMaria Ramirez		Nov 7, 2025		Pending	



	<input checked="" type="checkbox"/> REVIEW COMPLETE DO NOT RESUBMIT	<input type="checkbox"/> REVISE AS NOTED DO NOT RESUBMIT
	<input type="checkbox"/> REVISE AS NOTED, RESUBMIT	<input type="checkbox"/> NOT ACCEPTABLE MAKE NEW SUBMITTAL
<p><input type="checkbox"/></p> <p>REVIEW IS ONLY FOR GENERAL CONFORMANCE WITH DESIGN CONCEPT AND CONTRACT REQUIREMENTS. CONTRACTOR IS RESPONSIBLE FOR COMPLIANCE WITH CONTRACT DOCUMENTS, DIMENSIONS, QUANTITIES, FIT AND COORDINATION WITH OTHER WORK. REVIEW DOES NOT AUTHORIZE SUBSTITUTIONS, EXCLUSIONS AND LIMITATIONS TO CONTRACT REQUIREMENTS UNLESS SPECIFICALLY REQUESTED BY CONTRACTOR AND ACKNOWLEDGE BY ARCHITECT</p>		
BY: LUZMARIA RAMIREZ		DATE: 10/28/25

Lakeshore Materials

Line	Item	Qty	Description	Image
10	AA830	4	CHANGING PAPER ROLL - 16" Perfect for our Infant Changer & Storage Center, this paper roll measures 225 feet long. The 16"-wide paper makes diaper changes quick, clean and easy.	
20	LC814	1	HANDY BAGS AND DISPENSER Perfect for diapers, wet clothing and other messes, our wall-mount dispenser lets you tear off bags as you need them! Roll has 1,500 plastic bags; each bag measures 11" x 19". The sturdy steel dispenser measures 16" in length.	
30	QJ578	4	DISPOSABLE SANITARY GLOVES Our strong, lightweight plastic gloves are a classroom essential! Use them to change diapers, clean up spills and other messes, and more. Box contains 100 sanitary, latex- and powder-free adult-size gloves.	
40	ZB44	24	CRIB SHEET Fitted cotton/polyester white sheet is machine-washable—so it's perfect for your crib!	
50	ER549	1	EXPLORE-PLAY ACTIVITY RATTLES There's so much for babies to touch, see and hear with our durable rattles! All 4 easy-clean plastic rattles have an irresistible animal design, stimulating textures and lots of different sounds—plus movable parts that are fun to shake and explore! Longest rattle measures 6".	
60	AA823	1	SEE-INSIDE SENSORY BLOCKS Little ones get a hands-on sensory experience with our irresistible see-inside blocks! The 12 baby-safe blocks are filled with balls in 3 sizes and 4 colors—and they make intriguing sounds with every shake! Blocks feature soft plastic edges for easy gripping; each measures 2".	
70	PP508	1	SENSORY STARS BEANBAG SET Our colorful beanbags are fun to feel and toss—for a sensory experience little ones can't resist! Ideal for exploring texture and color, building gross motor skills, and tons of other activities, each star-shaped beanbag is covered in a different tactile material that tots will love to touch! You get 6 beanbags; each measures approximately 4 3/4" wide. Beanbags are machine- or surface-washable.	
80	JJ909	1	WHATS INSIDE SOFT FEELY BOX Little ones can't wait to get their hands inside this adorable box...and find out exactly what's inside! The soft, machine-washable box is packed with 10 different sensory objects for kids to feel and explore—like a pretty butterfly with crinkly wings, a cute lion with a corduroy coat, a shiny frog for tots to squeak and more. Plus, a big 4" opening on top makes it extra-easy for tots to reach right in and feel around! Box measures 7".	
90	LL254	1	LKSHR CUDDLY WASHBL ASIAN DOLL This cuddly doll is ideal for little ones! The doll features super-soft clothing and permanent, sewn-on details, so it's incredibly soft and totally safe—even for toddlers. Machine-washable doll measures 11" in length.	

Please initial & date here as approval

100 LL252

1 CUDDLY WASHBL CAUCASIAN DOLL

This cuddly doll is ideal for little ones! The doll features super-soft clothing and permanent, sewn-on details, so it's incredibly soft and totally safe—even for toddlers. Machine-washable doll measures 11" in length.



110 LL300

1 DISHWASHR-SAFE LRG BASKET-NATL

Tough and dependable classroom storage—with a soft and natural look! Each of these flexible baskets is made of thick, securely woven plastic that's designed to last and last—without fraying. The rugged baskets have built-in handles for easy toting...and are dishwasher-safe to make cleaning a cinch!



120 TT458

1 SOFT WASHABLE ALPHABET BLOCKS

Tots stack, build and explore the alphabet! Our squeezably soft blocks feature big upper- and lowercase letters...plus cute matching images for each one, like a duck and a drum for D. The blocks even have soft cloth textures for tots to touch and explore! Set includes 26 machine-washable vinyl blocks in a handy tote bag; each block measures 3".



130 RR794

1 SOFT AND SAFE BUILDING BLOCKS

Soft, safe, squeezable...and lots of fun to stack! Our vibrant, wipe-clean vinyl blocks come in tons of irresistible shapes, patterns and colors. We've even included 4 fun balls that jingle, shake, rattle and crinkle...and nest right inside the blocks! Set includes 26 pieces; cube measures 4 1/2".



140 BC401

1 LOOKS LIKE WOOD GIANT SFT BLKS

The sky's the limit when kids build with our jumbo-size blocks! Featuring the natural look of real wood, the soft, extra-thick foam pieces are a breeze to hold onto and super-easy to stack—for frustration-free building. Plus, the safe, lightweight blocks are incredibly quiet...even when colossal creations tumble! Set includes 32 blocks in 9 shapes. Largest block measures 11 3/4".



150 RA367

1 SOFT AND SQUEEZY FARM ANIMALS

Specially designed for young children, our adorable farm animals have squeezable soft bodies that are a cinch for little ones to grab, hold and play with! From a horse to a sheep, our set includes 10 irresistible vinyl animals with charming details and friendly features children are sure to love. Large pig measures 5" in length.



160 TR220X

1 CLASSROOM-TOUGH TRUCKS

Little drivers can really get to work...with super-tough trucks made just for kids! The 3 hardworking vehicles include a fire truck, dump truck and recycling truck, each with smooth-rolling wheels and real-moving parts—so children enjoy tons of action-packed play. Made from 100% recycled plastic with no metal axles, our trucks are designed to be super-safe—even for the littlest drivers! You get all 3 trucks shown. Recycling truck measures 12" in length. Each truck also available separately. Item consists of



***161 TR221**

1 KID-TOUGH FIRE TRUCK

Little drivers can race to the rescue...with a super-tough fire truck made just for kids! The hard-working truck features smooth-rolling wheels and real-moving parts—so children enjoy tons of action-packed play. Made from 100% recycled plastic with no metal axles, the truck is designed to be super-safe—even for the littlest drivers! Fire truck measures 10 1/2" in length.



***162 TR222**

1 KID-TOUGH DUMP TRUCK

Little drivers can really get to work...with a super-tough dump truck made just for kids! The hard-working truck features smooth-rolling wheels and real-moving parts—so children enjoy tons of action-packed play. Made from 100% recycled plastic with no metal axles, the truck is designed to be super-safe—even for the littlest drivers! Dump truck measures 10" in length.



***163 TR223**

1 KID-TOUGH RECYCLING TRUCK

Little drivers can really clean up the neighborhood...with a super-tough recycling truck made just for kids! The hard-working truck features smooth-rolling wheels and real-moving parts—so children enjoy tons of action-packed play. Made from 100% recycled plastic with no metal axles, the truck is designed to be super-safe—even for the littlest drivers! Recycling truck measures 12" in length.



170 LL304

1 DISHWASHR-SAFE SML BASKET-NATL

Tough and dependable classroom storage—with a soft and natural look! Each of these flexible baskets is made of thick, securely woven plastic that's designed to last and last—without fraying. The rugged baskets have built-in handles for easy toting...and are dishwasher-safe to make cleaning a cinch!



180 AA350

1 TODDLER-SAFE FOOD BASKET

Our natural-looking play food is super-safe for little ones! The 10 plastic pieces come in a roomy basket tots will love to fill again and again. Rugged plastic basket is dishwasher-safe and measures 8 1/2" x 8 1/2".



190 HH578

1 SOFT AND SAFE POTS AND PANS

Little chefs can't wait to get "cooking"—with soft and safe cookware designed just for tots! You get all the pots and pans little ones need to prepare tons of pretend meals—all made of durable, wipe-clean vinyl to withstand years of play. Set includes 4 pots and pans, plus 2 lids; large pot measures 4" tall.



Please initial & date here as approval

200 LL253

1 [LKSHR CUDDLY WASHBL HSPNC DOLL](#)

This cuddly doll is ideal for little ones! The doll features super-soft clothing and permanent, sewn-on details, so it's incredibly soft and totally safe—even for toddlers. Machine-washable doll measures 11" in length.



210 LL251

1 [CUDDLY WSHBL AFRICAN AMER DOLL](#)

This cuddly doll is ideal for little ones! The doll features super-soft clothing and permanent, sewn-on details, so it's incredibly soft and totally safe—even for toddlers. Machine-washable doll measures 11" in length.



220 HH994

1 [HISPANIC SOFT AND SAFE FAMILY](#)

As tots explore these soft and safe dolls, they get a hands-on introduction to family—and develop cultural awareness! Our Hispanic family includes 4 extra-chubby dolls made of soft, squeezable plastic that's perfect for little hands. Largest doll measures 5 1/2" tall.



230 HH993

1 [ASIAN SOFT AND SAFE FAMILY](#)

As tots explore these soft and safe dolls, they get a hands-on introduction to family—and develop cultural awareness! Our Asian family includes 4 extra-chubby dolls made of soft, squeezable plastic that's perfect for little hands. Largest doll measures 5 1/2" tall.



240 AA599

1 [SOFT AND SAFE COMMUNITY HELPER](#)

Introduce little ones to important people in their community—with our soft and safe play figures! The extra-chubby figures are made of super-squeezable plastic that's easy to grab and hold...and they stimulate community awareness as kids play. Set of 5; each measures approximately 7" tall.



250 AA695

1 [SOFT-SAFE CHILDRN W DIFF ABILITY](#)

Inspire discussions on diversity and acceptance—with figures representing differently abled children and their adaptive equipment! From a boy in a wheelchair to a girl with hearing aids, our set features 5 multi-ethnic play figures made from squeezably soft plastic that's perfect for toddlers. Tallest figure measures 4 1/4".



260 EV360X

1 [LINK-GO MAGNETIC VEHICLES](#)

Link 'em up—then let 'em roll! These chubby, easy-grip vehicles have safe, fully contained magnets in front and back, so it's a cinch for little ones to link them together into a fun-filled convoy! Plus, the cars easily disconnect to roll around on their own—for double the fun! Set includes 6 durable plastic vehicles shown; each measures approximately 4 1/2" in length. Individual sets also available separately.



Item consists of

*261 EV367

1 [MAGNETIC CONSTRUCTION VEHICLES](#)

Link 'em up—then let 'em roll into action! These chubby, easy-grip construction vehicles have safe, fully contained magnets in front and back, so it's a cinch for little ones to link them together into a fun-filled convoy. Plus, they easily disconnect to roll around on their own—for double the fun! Durable plastic vehicles feature smooth-rolling wheels and functional parts. Set includes 3 vehicles: a dump truck, cement mixer and tow truck. Each measures 4 1/2" in length.



*262 EV364

1 [MAGNETIC EMERGENCY VEHICLES](#)

Link 'em up—then let 'em roll to the rescue! The chubby, easy-grip emergency vehicles have safe, fully contained magnets in front and back, so it's a cinch for little ones to link them together into a fun-filled convoy. Plus, they easily disconnect to roll around on their own—for double the fun! Durable plastic vehicles feature smooth-rolling wheels. Set includes 3 vehicles: a fire engine, police car and ambulance. Each measures 4 1/2" in length.



270 LA620

1 [ALL-IN-ONE CD PLAYER W-BLTOOTH](#)

This do-it-all player features a built-in junction box and BLUETOOTH wireless technology! Our compact CD player has 8 evenly spaced 1/4" headphone jacks...to make it easy for kids to gather around and listen. Plus, 4 speakers help broadcast sound all around the classroom when kids aren't using headphones. This player even has an anti-skip feature and BLUETOOTH technology that lets you wirelessly stream music from BLUETOOTH devices, such as smartphones and tablets. Includes an AC wall adaptor or runs on 8 "AA" batteries (not included). Player measures 7 1/2" x 7 1/2". Headphones sold separately.



280 YH443

1 [RELAXING CLASSICS FOR KIDS CD](#)

Restore calm to the classroom after energetic activities with this soothing collection of classical pieces. From solo piano tracks to orchestral performances, the selections are perfect for helping children wind down and relax. The 2-CD set includes a total of 29 tracks.



290 KM8102D

1 [SINGABLE SONGS 4 VERY YOUNG-CD](#)

This CD includes 19 tracks from Raffi, the award-winning children's entertainer with a joyful style that appeals to all children! CD includes fun traditional songs as well as original songs about counting, how to perform basic tasks like brushing your teeth...even tongue twisters to help with speech development.



300 TB317

2 [HEAVY-DUTY TAMBOURINES-SET 4](#)

Please initial & date here as approval

Tapping out catchy rhythms is a cinch—with top-quality tambourines made just for children! Each one features an extra-chunky plastic handle that's easy for children to grip, plus 4 pairs of built-in metal cymbals—all permanently encased for added safety and durability. Set includes 4 tambourines in 4 bright colors; tambourines measure 6 1/2" in diameter.



310 AA420

1 [INFANT-TODDLER POSTER PACK](#)

Just looking around...it's the best way for babies to learn about their world! Engage little ones—with 18 multiethnic posters showing other children just like them! Each poster measures 10" x 13".



320 PP184

1 [MOODS-EMOTIONS POSTER PACK](#)

Happy, sad, angry, proud...these posters help students understand and accept a wide range of moods and emotions! We've included 20 posters designed to get children talking about their feelings. The pack comes complete with a guide; each poster measures 11" x 16".



330 RE482

1 [ON THE FARM BOARD BK LIBRARY](#)

Our inviting board books introduce toddlers to life on the farm! These 5 sturdy board books have been specially selected for their simple text, playful verses, and eye-catching illustrations and images that are sure to make them instant favorites with little ones!



340 RA351

1 [BEST BEHAVIOR BOARD BK COLL](#)

Simple words and charming illustrations make it easy for even young children to understand the benefits of good behavior—from staying healthy and respecting others to learning positive ways to cope with their feelings! Set includes 8 board books, each with helpful tips for parents and caregivers.



350 RE484

1 [COLORS AND SHAPES BRD BK LIB](#)

Our inviting board books introduce toddlers to shapes and colors! These 5 sturdy board books have been specially selected for their simple text, playful verses, and eye-catching illustrations and images that are sure to make them instant favorites with little ones!



360 RE481

1 [ME-MY FAMILY BOARD BK LIBRARY](#)

Our inviting board books introduce toddlers to family relationships! The 5 sturdy board books have been specially selected for their simple text, playful verses, and eye-catching illustrations and images that are sure to make them instant favorites with little ones!



370 RE483

1 [NURSERY RHYMES BOARD BK LIBAR](#)

Our inviting board books introduce toddlers to classic nursery rhymes! These 5 sturdy board books have been specially selected for their simple text, playful verses, and eye-catching illustrations and images that are sure to make them instant favorites with little ones!



380 PP158

1 [INFANT-TODDLER PHOTO LIBRARY](#)

Boost essential vocabulary—with enticing photo cards designed just for little learners! Our 50 durable laminated cards have a photo on front and corresponding word on back to build print awareness and early language skills. Perfect for circle time, independent exploration and more, the cards are organized into 8 popular themes—from food to animals! Cards measure a big 6" x 6".



390 RR581

1 [BIG MOUTH COW PUPPET](#)

Our plush puppet has a giant working mouth and movable arms...so kids can perform—and verbalize—with ease! This kid-friendly puppet features delightful details, encouraging children to get into the act. Puppet measures approximately 8" tall and is machine-washable and dryer-safe.



400 RR584

1 [BIG MOUTH DUCK PUPPET](#)

Our plush puppet has a giant working mouth and movable arms...so kids can perform—and verbalize—with ease! This kid-friendly puppet features delightful details, encouraging children to get into the act. Puppet measures approximately 8" tall and is machine-washable and dryer-safe.



410 LC1340X

1 [H-D NYLON BRISTLES-10 COLORS](#)

These rugged, easy-grip brushes were made just for beginners...and feature plastic handles and long-lasting nylon bristles. They're even color-coordinated to our No-Spill Paint Cups. Set includes 10 brushes; each measures 7 1/4" in length.



420 LA820X

1 [LKSHR NO-SPILL PAINT CUPS-10EA](#)

Knock over our ingenious paint cups, and the paint won't drip or spill—even with the top open! The one-piece lids screw on and off, so refills are a breeze—and the easy-access hinged tops flip all the way back...and snap shut for storage! Durable plastic paint cups measure 4" tall. Paint sold separately.



430 AA342

1 [WASHABLE FINGERPAINT ASSORTMNT](#)

Please initial & date here as approval

Now little artists can get as messy as they want—with fun-to-use fingerpaint that’s completely washable! Our vibrant fingerpaint has a smooth, glossy texture that spreads easily and won’t crack when dried. Best of all, it washes right off of children’s skin and clothes! Choose from a variety of colors.



440 PX2020

1 [LAKSHR WASHABLE TEMPERA-ASST](#)

No more stained, ruined clothes...these brilliant paints are completely washable from skin and clothing! Our washable tempera paint comes ready to use in 1-pint bottles. Choose from a variety of colors.



450 AX2

1 [LAKESHORE DOUGH-RED](#)

Here’s nontoxic, pleasant-smelling dough in 6 super-bright colors! The lidded, 3-pound plastic tubs keep dough fresh and pliable.



460 AX8

1 [LAKESHORE DOUGH-GREEN](#)

Here’s nontoxic, pleasant-smelling dough in 6 super-bright colors! The lidded, 3-pound plastic tubs keep dough fresh and pliable.



470 AX10

1 [LAKESHORE DOUGH-TURQUOISE](#)

Add color to dough creations with our vibrant collection of 6 appealing shades! Nontoxic dough comes in lidded, 3-pound tubs to keep dough fresh.



480 VX735

1 [BST-BUY CRAYON JUMBO-8-CLR BOX](#)

Enough crayons for the whole year! Our sturdy, compartmentalized storage box holds a set of top-quality school crayons that won’t streak or smear! You get 200 crayons in 8 colors: purple, red, green, yellow, black, blue, brown and orange.



490 RS4

4 [SCHOOL GLUE-WHITE-4 OZ](#)

Get a super-strong hold with this water-soluble glue that sets quickly and dries clear. Safe for all ages, it is nontoxic, washes easily off hands and clothes, and is harmless if swallowed. Glue comes in unbreakable plastic bottles. (4-ounce, pint and quart sizes feature easy-flow tops that actually unclog glue bottles each time you use them!)



500 TA50AC

5 [CONST PAPER 9X12-ASSORTED](#)

This construction paper is perfect for all your arts & crafts projects! The 48-pound stock construction paper comes in a variety of vibrant colors and two sizes—9" x 12" or 12" x 18".



510 TA51AC

5 [CONST PAPER 12X18-ASSORTED](#)

This construction paper is perfect for all your arts & crafts projects! The 48-pound stock construction paper comes in a variety of vibrant colors and two sizes—9" x 12" or 12" x 18".



520 FF188

1 [BIG KNOB LEARNING PUZZLE SET](#)

Little ones will love to explore colors, shapes and numbers with our simple hardwood puzzles! Each puzzle has 5 pieces with easy-grip giant knobs...plus corresponding words or numbers printed on the boards! Set includes 3 puzzles in a storage rack. Puzzles measure 8 1/4" x 11 3/4".



530 EE439

1 [BIG KNOB FIRST PUZZLE SET](#)

Little hands have no problem piecing together these adorable puzzles! Each simple puzzle has 4 wooden pieces with giant, easy-grip knobs—so they’re a cinch for kids to grab and fit into place. And with matching illustrations right on the puzzle boards, they couldn’t be better for beginners! Four puzzles come in a handy wire rack. Puzzles measure 9" x 9".



540 AA388

1 [COLOR DISCOVERY BOXES](#)

Our fun-filled discovery boxes give tots an irresistible, hands-on way to develop color recognition! Each box features 4 delightful objects with exciting textures and bold patterns—all featuring the same bright color for plenty of reinforcement. Little ones reach in to explore a soft blue fish, a squeezable red ball and more...and discover each color one at a time. The 4 vinyl boxes and accessories are all surface-washable; each box measures 5".



550 AA775

1 [BUTTON SIZE-SORTING BOX](#)

This soft vinyl sorting box gives toddlers hands-on experience with color, shape, size and fine motor control. Tots just sort the buttons into the 6" box, then pop off the lid to do it again! Sorting box comes with 24 plastic buttons in 3 shapes and 4 colors.



560 BC553

1 [SEE-INSIDE SORTING BUCKET](#)

Please initial & date here as approval

Tots slide 12 shapes into the holes on our clear-view bucket...and watch them fall to the bottom! As little ones play, they explore spatial relationships and build dexterity. Plastic bucket measures 7 1/4" tall.



570 PP881

1 [MY FIRST POP BEADS](#)

Just press, pop...and build! Beads snap together and rotate for hours of building fun, whether kids are linking simple chains or constructing unique creations. The 32 textured plastic beads fit perfectly in small hands and come in 4 bright colors. Largest bead measures approximately 3 1/2". Set includes a user guide.



580 EE788

1 [LETS GO FISHING PLAYSET](#)

Even beginners can make a catch every time with our no-fail fishing set! It features 10 soft cloth fish in lots of vibrant colors, plus a chubby, child-safe pole that's easy for toddlers to hold. Kids just stick the pole into the clear vinyl bowl...and the hook & loop tip sticks right to the fish! And, as children play, they develop color awareness and fine motor skills with every catch. Bowl measures 10".



590 AA105

1 [EASY-TWIST ANIMAL BUILDERS](#)

Made just for tiny hands, our adorable builders let children match up animal patterns to create 4 cute critters—or mix up the pieces for super-silly fun! However they put the animals together, tots develop fine motor skills and eye/hand coordination as they twist, turn and build! Set features a total of 16 pieces, including 4 animal rods and 12 animal body pieces. Rods measure 6 3/4" tall.



600 LL759

1 [HIDE AND SEEK DISCOVERY BALL](#)

Tots explore spatial relationships and build dexterity—as they hide plush sensory balls in our giant, easy-grip ball, then pull them out and play again! The 4 small balls even rattle or jingle to keep babies engaged. Large ball measures 7 1/2".



610 LA847

1 [GIANT STAR BUILDERS](#)

These giant, colorful stars fit together from any angle—so even little ones can build with success! Our plastic set includes 30 colorful pieces, each with an extra-chunky design for easy handling. The 5" builders come in a stackable plastic storage tote.



620 AA478

1 [PUZZLE BUILDERS](#)

Toddlers build critical thinking and fine motor skills at the same time...with our stimulating puzzle pieces! The colorful plastic set includes 60 chunky pieces—each with an adorable 3-D ladybug, spider or caterpillar. Little ones just connect the pieces from any side...for no-fail play! Each piece measures 3 3/4". The pieces come in a plastic tote.



630 DD657

1 [SUPER-SAFE COLOR VIEWERS](#)

What better way to explore colors than with super-safe viewers even babies can use! The 6 translucent viewers are all made of shatterproof acrylic...with chubby, easy-grip plastic handles. You get 2 each of 3 colors. Viewers measure 6 1/2" in length.



640 DD659

1 [SUPER-SAFE MIRRORS](#)

Babies love to see their reflections in our extra-safe, shatterproof mirrors! Each permanently encased mirror won't break and has a chunky plastic handle that's easy to grasp! Set includes 4 mirrors; each measures 6 1/2".



650 AA931

1 [GIANT SIGHT AND SOUND TUBES](#)

A fascinating, hands-on way for tots to explore sight and sound! Each see-inside tube is filled with objects of different colors, weights, shapes and sizes—like feathers, balls, bells and sparkly gems—so kids get a variety of fun sensory experiences! Durable plastic tubes are permanently sealed for added safety. Set includes 5 tubes; each measures 16" in length.



660 DD384

1 [SOFT-WASHABLE SENSORY BALLS](#)

Tots touch, toss and squeeze our soft-sewn balls...and build sensory awareness as they play! The balls have lots of fun textures, super-bright colors...plus jingling bells, soft crinkles, rattling beads and more. Best of all, the balls are fully machine-washable! You get a set of 6 sensory balls; largest measures 7 1/2".



670 FF993

1 [SEE-INSIDE ACTIVITY BALLS](#)

Children get a variety of sensory experiences as they roll, toss and bounce our see-through activity balls! All 4 balls are filled with objects of different colors, weights, shapes and sizes—from fun floating feathers to bouncing beads. Plus, each ball is made of flexible plastic that's easy to grab—even for little hands! Balls inflate to up to 8" in diameter and require inflation upon arrival.



680 FR263

1 [FEEL AND ROLL BUMPY BALLS](#)

With stimulating textures and bold, vibrant colors, our bumpy balls are perfect for hands-on sensory exploration! Each ball is made of all-natural, nontoxic rubber and covered in a soft, fuzzy fabric that tots will love to touch. Plus, they're easy for little hands to grip—so children build fine motor skills as they roll, toss and bounce each one! Set includes 4 balls; largest measures 5".



690 LL300

1 [DISHWASHR-SAFE LRG BASKET-NATL](#)

Please initial & date
here as approval

Tough and dependable classroom storage—with a soft and natural look! Each of these flexible baskets is made of thick, securely woven plastic that's designed to last and last—without fraying. The rugged baskets have built-in handles for easy toting...and are dishwasher-safe to make cleaning a cinch!



700 DS491

4 [CHANGING PAPER ROLL - 18"](#)

Perfect for our Step On Up! Toddler Changing Table, this paper roll measures 225 feet long. The 18"-wide paper makes diaper changes quick, clean and easy.



710 NS17

4 [ROLL OF BAGS](#)

Our 1,500 plastic bags measure 11" x 19" each.



720 QJ578

4 [DISPOSABLE SANITARY GLOVES](#)

Our strong, lightweight plastic gloves are a classroom essential! Use them to change diapers, clean up spills and other messes, and more. Box contains 100 sanitary, latex- and powder-free adult-size gloves.



730 AA910Z

2 [LKSHR TODDLR COT SHEET-DOZEN](#)

Soft, cotton/poly sheet has elastic bands that keep it securely attached to the cot. Machine-washable and dryer-safe. Item consists of



***731 AA910**

24 [LAKESHORE TODDLER COT SHEET](#)

Soft, cotton/poly sheet has elastic bands that keep it securely attached to the cot. Machine-washable and dryer-safe.



740 FF514

1 [TODDLER UNIT BLOCKS](#)

Toddlers will love to try their hand at building...with our solid hardwood blocks that were built to last—and created just for little hands! These unique blocks are smaller and more lightweight than standard-sized blocks, making them perfect for toddlers...and they're super-easy to grip, grab, pile and stack! Plus, our durable blocks are backed by a 50-year guarantee—if any block breaks or splinters within 50 years of the date of purchase, we'll replace it at no charge! The 100 blocks include triangles, arches, cylinders and rectangles—all with smooth, rounded corners for kid-friendly play. Largest piece measures 8 1/4" tall.



750 LA591

1 [TODDLER BRISTLE BUILDERS](#)

Our bright, easy-to-use builders encourage creative play—and ensure tons of building fun for toddlers! With pieces in a variety of shapes and sizes that are simple to push together and pull apart, it's a breeze for kids to construct anything they imagine. Plus, you get 3 farm animal friends that connect to the builders and spin—to delight children again and again! Set includes 52 durable plastic pieces; base measures 8".



760 AA693

1 [GIANT CALM COLRS SOFT BLOCKS](#)

Soft and safe blocks—in soothing colors to complement any classroom decor! Our jumbo-sized blocks are made of extra-durable lightweight foam—so even the youngest builders can stack and create with ease. Plus, each block features precise edges for building super-sturdy structures...quietly! You get 26 giant blocks in 6 shapes, all in a vinyl tote. Largest block measures 6".



770 LA848

1 [ABC BLOCKS](#)

Toddlers learn to recognize all the letters of the alphabet—as they stack and build! Our set includes 60 big uppercase letter blocks, each with a round-edge plastic design for super-safe block play. The 2 1/4" blocks come in a stackable plastic storage tote.



780 AA599

1 [SOFT AND SAFE COMMUNITY HELPER](#)

Introduce little ones to important people in their community—with our soft and safe play figures! The extra-chubby figures are made of super-squeezable plastic that's easy to grab and hold...and they stimulate community awareness as kids play. Set of 5; each measures approximately 7" tall.



790 HH991

1 [AFRICAN AMER SOFT-SAFE FAMILY](#)

As tots explore these soft and safe dolls, they get a hands-on introduction to family—and develop cultural awareness! Our African American family includes 4 extra-chubby dolls made of soft, squeezable plastic that's perfect for little hands. Largest doll measures 5 1/2" tall.



800 HH992

1 [CAUCASIAN SOFT AND SAFE FAMILY](#)

As tots explore these soft and safe dolls, they get a hands-on introduction to family—and develop cultural awareness! Our Caucasian family includes 4 extra-chubby dolls made of soft, squeezable plastic that's perfect for little hands. Largest doll measures 5 1/2" tall.



Please initial & date
here as approval

810 RA362

1 [SOFT AND SQUEEZY WILD ANIMALS](#)

Specially designed for young children, our adorable wild animals have squeezable soft bodies that are a cinch for little ones to grab, hold and play with! From an alligator and elephant to a zebra and gorilla, our set includes 8 irresistible vinyl animals with charming details and friendly features children are sure to love. Tiger measures 6 1/2" in length.



820 RA368

1 [SOFT AND SQUEEZY OCEAN ANIMALS](#)

Specially designed for young children, our adorable ocean animals have squeezable soft bodies that are a cinch for little ones to grab, hold and play with! From an octopus and dolphin to a seal and hammerhead shark, our set includes 10 irresistible vinyl animals with charming details and friendly features children are sure to love. Orca measures 6 1/2" in length.



830 EV360X

1 [LINK-GO MAGNETIC VEHICLES](#)

Link 'em up—then let 'em roll! These chubby, easy-grip vehicles have safe, fully contained magnets in front and back, so it's a cinch for little ones to link them together into a fun-filled convoy! Plus, the cars easily disconnect to roll around on their own—for double the fun! Set includes 6 durable plastic vehicles shown; each measures approximately 4 1/2" in length. Individual sets also available separately.



Item consists of
*831 EV367

1 [MAGNETIC CONSTRUCTION VEHICLES](#)

Link 'em up—then let 'em roll into action! These chubby, easy-grip construction vehicles have safe, fully contained magnets in front and back, so it's a cinch for little ones to link them together into a fun-filled convoy. Plus, they easily disconnect to roll around on their own—for double the fun! Durable plastic vehicles feature smooth-rolling wheels and functional parts. Set includes 3 vehicles: a dump truck, cement mixer and tow truck. Each measures 4 1/2" in length.



*832 EV364

1 [MAGNETIC EMERGENCY VEHICLES](#)

Link 'em up—then let 'em roll to the rescue! The chubby, easy-grip emergency vehicles have safe, fully contained magnets in front and back, so it's a cinch for little ones to link them together into a fun-filled convoy. Plus, they easily disconnect to roll around on their own—for double the fun! Durable plastic vehicles feature smooth-rolling wheels. Set includes 3 vehicles: a fire engine, police car and ambulance. Each measures 4 1/2" in length.



840 LL304

2 [DISHWASHER-SAFE SML BASKET-NATL](#)

Tough and dependable classroom storage—with a soft and natural look! Each of these flexible baskets is made of thick, securely woven plastic that's designed to last and last—without fraying. The rugged baskets have built-in handles for easy toting...and are dishwasher-safe to make cleaning a cinch!



850 EE558

1 [LAKESHORE HARDWOOD DOLL CRIB](#)

Our sturdy hardwood crib keeps children's dolls safe and snug! Beautifully crafted crib features smooth, rounded edges and a classroom-tough design. Doll crib measures 22"w x 13 1/4"d x 12 1/2"h; fits dolls up to 18" in length. Doll and bedding set sold separately.



860 TT788

1 [DOLL BEDDING SET](#)

Machine-washable set includes a mattress, quilt, sheet and pillow—all perfect for the Lakeshore Hardwood Doll Crib.



870 DD474

1 [WASHABLE HISPANIC BABY DOLL](#)

Our darling doll is super-detailed and incredibly lifelike, yet tough enough for classroom use and machine-washing! Made of molded vinyl and soft cloth, the doll has movable arms and legs and a squeezably soft body. Plus, the hook & loop outfit is interchangeable with other Lakeshore Washable Baby Dolls. Doll measures 11" in length.



880 DD473

1 [WASHABLE ASIAN BABY DOLL](#)

Our darling doll is super-detailed and incredibly lifelike, yet tough enough for classroom use and machine-washing! Made of molded vinyl and soft cloth, the doll has movable arms and legs and a squeezably soft body. Plus, the hook & loop outfit is interchangeable with other Lakeshore Washable Baby Dolls. Doll measures 11" in length.



890 LL683

1 [TODDLER FIREFIGHTER](#)

Even little ones can be a firefighter...with a super-realistic costume designed just for them! Our wipe-clean vinyl costume comes with a tot-sized vinyl helmet and a pretend fire extinguisher. Plus, the outfit has a simple pullover design with hook & loop closures right on the side, so tots can dress themselves! Costume fits children ages 18 months-36 months.



900 LL685

1 [TODDLER DOCTOR](#)

Even little ones can be a doctor...with a super-realistic costume designed just for them! Our soft, machine-washable scrubs come with an easy-clean vinyl headband and stethoscope. Plus, the outfit has a simple pullover design with hook & loop closures right on the side, so tots can dress themselves! Costume fits children ages 18 months-36 months.



910 LL687

1 [TODDLER CONSTRUCTION WORKER](#)

Even little ones can build big structures...with a super-realistic costume designed just for them! Our construction worker costume includes a soft machine-washable vest, an easy-clean vinyl hat—and even a soft vinyl hammer. Plus, the outfit has a simple pullover design with hook & loop closures right on the side, so tots can dress themselves! Costume fits children ages 18 months-36 months.



Please initial & date here as approval

920 LL684

1 [TODDLER MAIL CARRIER](#)

Even little ones can deliver the mail...with a super-realistic costume designed just for them! Our mail carrier costume includes a vest and mailbag, both made of soft machine-washable fabric...and an easy-clean, tot-sized vinyl hat. Plus, the outfit has a simple pullover design with hook & loop closures right on the side, so tots can dress themselves! Costume fits children ages 18 months-36 months.



930 LDA178

1 [INDESTRUCTBL DISHES-SERVE 4](#)

Our kid-sized cups, plates and utensils are made of super-safe, unbreakable plastic—so they're tough enough for years of pretend meals! Set includes everything you need for 4 complete place settings, for a total of 20 dishwasher-safe, rugged plastic pieces. Plate measures approximately 6 1/2" in diameter.



940 AZ985

1 [PUSH-BUTTON PLAY PHONE](#)

Our rugged, cordless play phone has buttons that ring when kids push them. Phone is made of tough plastic; receiver measures 8" in length.



950 LM365

1 [BEST-BUY PLAY FOOD ASSORTMENT](#)

From pizza complete with toppings to nutritious sandwich fixings, our huge assortment of play food is a feast for the imagination! We've included lots of deliciously realistic play food for breakfast, lunch, dinner...even snacks and desserts! The 100 plastic pieces come in a tub. Each taco measures 4 1/4" in length.



960 HH578

1 [SOFT AND SAFE POTS AND PANS](#)

Little chefs can't wait to get "cooking"—with soft and safe cookware designed just for tots! You get all the pots and pans little ones need to prepare tons of pretend meals—all made of durable, wipe-clean vinyl to withstand years of play. Set includes 4 pots and pans, plus 2 lids; large pot measures 4" tall.



970 AA350

1 [TODDLER-SAFE FOOD BASKET](#)

Our natural-looking play food is super-safe for little ones! The 10 plastic pieces come in a roomy basket tots will love to fill again and again. Rugged plastic basket is dishwasher-safe and measures 8 1/2" x 8 1/2".



980 LA620

1 [ALL-IN-ONE CD PLAYER W-BLTOOTH](#)

This do-it-all player features a built-in junction box and BLUETOOTH wireless technology! Our compact CD player has 8 evenly spaced 1/4" headphone jacks...to make it easy for kids to gather around and listen. Plus, 4 speakers help broadcast sound all around the classroom when kids aren't using headphones. This player even has an anti-skip feature and BLUETOOTH technology that lets you wirelessly stream music from BLUETOOTH devices, such as smartphones and tablets. Includes an AC wall adaptor or runs on 8 "AA" batteries (not included). Player measures 7 1/2" x 7 1/2". Headphones sold separately.



990 YH37

1 [TODDLER GYM CD](#)

Full of lively songs and structured activities that encourage little ones to listen and follow directions, this collection really gets tots movin' and shakin'! All activities are developed specifically for toddlers. CD includes 17 tracks.



1000 YH8D

1 [KIDS IN MOTION-CD](#)

Kids love to get moving to the catchy beats of Greg & Steve! The songs in the collection encourage children to boogie, balance and even freeze in place. CD includes 15 tracks.



1010 YH44D

1 [QUIET TIME CD](#)

Featuring a mix of classics along with several original compositions, this CD from celebrated singer/songwriter Raffi will bring welcome calm to the day—from naptime to anytime. CD includes 15 tracks.



1020 KM8102D

1 [SINGABLE SONGS 4 VERY YOUNG-CD](#)

This CD includes 19 tracks from Raffi, the award-winning children's entertainer with a joyful style that appeals to all children! CD includes fun traditional songs as well as original songs about counting, how to perform basic tasks like brushing your teeth...even tongue twisters to help with speech development.



1030 TB317

1 [HEAVY-DUTY TAMBOURINES-SET 4](#)

Tapping out catchy rhythms is a cinch—with top-quality tambourines made just for children! Each one features an extra-chunky plastic handle that's easy for children to grip, plus 4 pairs of built-in metal cymbals—all permanently encased for added safety and durability. Set includes 4 tambourines in 4 bright colors; tambourines measure 6 1/2" in diameter.



1040 RA478

1 [HEAVY-DUTY RHYTHM SET](#)

Please initial & date here as approval

Let children shake, jingle and pound away—these rugged instruments will last through years of busy music-making! The heavy-duty plastic rhythm set includes enough instruments for up to 12 children at once. Plus, each instrument has an easy-grip design, so they're a breeze for little hands to hold and play! Set includes 12 instruments. Maracas measure 6 1/4".



1050 LC241

1 [HEAVY-DUTY DRUMS-SET OF 4](#)

Our classroom-tough drums will stand up to all the tapping, pounding and playing children can dish out! Each drum features a sturdy plastic design...and comes complete with a big, tapered mallet that's easy for children to grip as they play. The mallets even fit into the side of each drum for super-easy storage! Set includes 4 drums and 4 mallets; drums measure 8" in diameter.



1060 TT681

1 [ACTIVITY SCARVES](#)

Get children moving! Our bright nylon scarves are lots of fun to wave, toss, twirl and more—perfect for music and movement activities and fun at home! Set includes 12 scarves; each measures 18".



1070 PP257

1 [DIFFERING ABILITIES POSTER PK](#)

Our big, full-color posters feature positive portrayals of people with differing abilities—from a boy with a hearing aid doing his homework to a blind girl reading in braille. Includes 20 posters and a guide; each poster measures 11" x 16".



1080 RE481

1 [ME-MY FAMILY BOARD BK LIBRARY](#)

Our inviting board books introduce toddlers to family relationships! The 5 sturdy board books have been specially selected for their simple text, playful verses, and eye-catching illustrations and images that are sure to make them instant favorites with little ones!



1090 RE484

1 [COLORS AND SHAPES BRD BK LIB](#)

Our inviting board books introduce toddlers to shapes and colors! These 5 sturdy board books have been specially selected for their simple text, playful verses, and eye-catching illustrations and images that are sure to make them instant favorites with little ones!



1100 RE486

1 [THINGS THAT GO BOARD BK LIBRY](#)

A charming board book collection introduces children to planes, trains, trucks and more! Five sturdy board books have been specially selected for their simple text, playful verses and eye-catching graphics that are sure to make them instant favorites with little ones!



1110 RA324

1 [MULTICULTURAL BRD BK COLLECTN](#)

Even young kids can explore the diverse world around them...with our engaging board book collection! As children flip through the sturdy pages, they discover that kids are the same all over the world, whether they're from Alaska, South Africa—or somewhere in between! Collection includes the 8 books shown.



1120 RE483

1 [NURSERY RHYMES BOARD BK LIBAR](#)

Our inviting board books introduce toddlers to classic nursery rhymes! These 5 sturdy board books have been specially selected for their simple text, playful verses, and eye-catching illustrations and images that are sure to make them instant favorites with little ones!



1130 AA808

1 [TOUCH-LEARN PICTURE CARD LIBRY](#)

From a scaly fish and a fluffy towel to a cute lion with a furry mane, our cards are filled with exciting textures to stimulate curious tots! Each sturdy card has a fun-to-touch picture on front labeled with the name of the object...plus questions and prompts on back designed to help tots build language skills as they feel and explore. Set includes 40 cards in 5 different categories—all in a box with handy dividers. Cards measure 4 1/2" x 5 3/4". Topics include Things I Wear; Animals I See; In the Park; At the Beach; and Things at Home.



1140 RR583

1 [BIG MOUTH FROG PUPPET](#)

Our plush puppet has a giant working mouth and movable arms...so kids can perform—and verbalize—with ease! This kid-friendly puppet features delightful details, encouraging children to get into the act. Puppet measures approximately 8" tall and is machine-washable and dryer-safe.



1150 RR585

1 [BIG MOUTH DOG PUPPET](#)

Our plush puppet has a giant working mouth and movable arms...so kids can perform—and verbalize—with ease! This kid-friendly puppet features delightful details, encouraging children to get into the act. Puppet measures approximately 8" tall and is machine-washable and dryer-safe.



1160 LL300

1 [DISHWASHR-SAFE LRG BASKET-NATL](#)

Tough and dependable classroom storage—with a soft and natural look! Each of these flexible baskets is made of thick, securely woven plastic that's designed to last and last—without fraying. The rugged baskets have built-in handles for easy toting...and are dishwasher-safe to make cleaning a cinch!



1170 RA709

1 [DEALING W-FEELINGS BRD BK COL](#)

Please initial & date here as approval

Children learn how to cope with their feelings...with beautifully illustrated board books that foster social-emotional growth! Our collection includes 8 sturdy board books, each featuring simple language and expressive illustrations that make concepts easy for children to understand.



1180 FF704

1 [FEELINGS-EMOTIONS WASHBL DOLLS](#)

Introduce the concept of feelings and emotions with our adorable soft-sewn dolls! Perfect for circle time or dramatic play, each cloth doll features a permanently stitched expression that helps children recognize the emotions of others—and learn to understand their own feelings. Best of all, the multi-ethnic dolls are completely machine-washable! Set includes all 4 dolls; each measures 12" tall. Each doll also available separately.

Item consists of

***1181 FF708**

1 [SCARED WASHABLE DOLL](#)

Introduce the concept of feelings and emotions with our adorable soft-sewn doll! Perfect for circle time or dramatic play, the cloth doll features a permanently stitched expression that helps children recognize the emotions of others—and learn to understand their own feelings. Best of all, the doll is completely machine-washable! Doll measures 12" tall.



***1182 FF707**

1 [ANGRY WASHABLE DOLL](#)

Introduce the concept of feelings and emotions with our adorable soft-sewn doll! Perfect for circle time or dramatic play, the cloth doll features a permanently stitched expression that helps children recognize the emotions of others—and learn to understand their own feelings. Best of all, the doll is completely machine-washable! Doll measures 12" tall.



***1183 FF706**

1 [SAD WASHABLE DOLL](#)

Introduce the concept of feelings and emotions with our adorable soft-sewn doll! Perfect for circle time or dramatic play, the cloth doll features a permanently stitched expression that helps children recognize the emotions of others—and learn to understand their own feelings. Best of all, the doll is completely machine-washable! Doll measures 12" tall.



***1184 FF705**

1 [HAPPY WASHABLE DOLL](#)

Introduce the concept of feelings and emotions with our adorable soft-sewn doll! Perfect for circle time or dramatic play, the cloth doll features a permanently stitched expression that helps children recognize the emotions of others—and learn to understand their own feelings. Best of all, the doll is completely machine-washable! Doll measures 12" tall.



1190 LC323

4 [TODDLER VINYL PAINT SMOCK-BLUE](#)

Protect kids' clothes during their messiest activities! Our wipe-clean, waterproof toddler smock is made of extra-rugged vinyl to stand up to years of use. It features a simple closure tots can fasten all by themselves...plus a convenient design that covers children from front to back! Smock comes in blue.



1200 LC220

1 [HD NATRL BRISTLES - 10-COLORS](#)

These rugged, easy-grip brushes were made just for beginners...and feature plastic handles and natural bristles. They're even color-coordinated to our No-Spill Paint Cups. Set includes 10 brushes; each measures 7 1/4" in length.



1210 LA820X

1 [LKSHR NO-SPILL PAINT CUPS-10EA](#)

Knock over our ingenious paint cups, and the paint won't drip or spill—even with the top open! The one-piece lids screw on and off, so refills are a breeze—and the easy-access hinged tops flip all the way back...and snap shut for storage! Durable plastic paint cups measure 4" tall. Paint sold separately.



1220 AA342

1 [WASHABLE FINGERPAINT ASSORTMNT](#)

Now little artists can get as messy as they want—with fun-to-use fingerpaint that's completely washable! Our vibrant fingerpaint has a smooth, glossy texture that spreads easily and won't crack when dried. Best of all, it washes right off of children's skin and clothes! Choose from a variety of colors.



1230 PX2020

1 [LAKSHR WASHABLE TEMPERA-ASST](#)

No more stained, ruined clothes...these brilliant paints are completely washable from skin and clothing! Our washable tempera paint comes ready to use in 1-pint bottles. Choose from a variety of colors.



1240 VX735

1 [BST-BUY CRAYON JUMBO-8-CLR BOX](#)

Enough crayons for the whole year! Our sturdy, compartmentalized storage box holds a set of top-quality school crayons that won't streak or smear! You get 200 crayons in 8 colors: purple, red, green, yellow, black, blue, brown and orange.



1250 LA768BU

1 [GIANT WASHABLE INK PAD-BLUE](#)

What could be more fun than stamping impressions with our giant-sized ink pads—they're big enough for apples, leaves, even kid-sized handprints! Jumbo pads hold lots of vivid color, and the ink is fully washable for easy cleanup! Each stamp pad measures 6" in diameter.



1260 LA768GR

1 [GIANT WASHABLE INK PAD-GREEN](#)

Please initial & date here as approval

What could be more fun than stamping impressions with our giant-sized ink pads—they're big enough for apples, leaves, even kid-sized handprints! Jumbo pads hold lots of vivid color, and the ink is fully washable for easy cleanup! Each stamp pad measures 6" in diameter.



1270 AX14

1 [LAKESHORE DOUGH-ORANGE](#)

Here's nontoxic, pleasant-smelling dough in 6 super-bright colors! The lidded, 3-pound plastic tubs keep dough fresh and pliable.



1280 AX4

1 [LAKESHORE DOUGH-BLUE](#)

Here's nontoxic, pleasant-smelling dough in 6 super-bright colors! The lidded, 3-pound plastic tubs keep dough fresh and pliable.



1290 AX8

1 [LAKESHORE DOUGH-GREEN](#)

Here's nontoxic, pleasant-smelling dough in 6 super-bright colors! The lidded, 3-pound plastic tubs keep dough fresh and pliable.



1300 DS296

1 [MIX-MATCH SENSORY SPHERES](#)

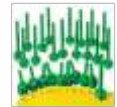
Kids express their creativity and explore their senses—as they make tons of fun designs in dough, paint and more! Our two-piece spheres open up and connect with a twist—so kids can mix and match the 4 patterns as they create fascinating impressions! Set includes 8 plastic, dishwasher-safe spheres. Each sphere measures 2 1/2" in diameter.



1310 LA532

1 [LOWERCASE ALPHA DOUGH STAMPERS](#)

Stamp out perfect letters every time with our nonstick lowercase stampers! The 26 stampers each have their matching letter printed on top so kids can easily find the stamps they need, and impressions are scaled to our Uppercase Alphabet Dough Stampers for even more word building! Stampers come in a zipper bag; handles measure 4" in length. Dough sold separately.



1320 RS4

4 [SCHOOL GLUE-WHITE-4 OZ](#)

Get a super-strong hold with this water-soluble glue that sets quickly and dries clear. Safe for all ages, it is nontoxic, washes easily off hands and clothes, and is harmless if swallowed. Glue comes in unbreakable plastic bottles. (4-ounce, pint and quart sizes feature easy-flow tops that actually unclog glue bottles each time you use them!)



1330 TA50AC

5 [CONST PAPER 9X12-ASSORTED](#)

This construction paper is perfect for all your arts & crafts projects! The 48-pound stock construction paper comes in a variety of vibrant colors and two sizes—9" x 12" or 12" x 18".



1340 TA51AC

5 [CONST PAPER 12X18-ASSORTED](#)

This construction paper is perfect for all your arts & crafts projects! The 48-pound stock construction paper comes in a variety of vibrant colors and two sizes—9" x 12" or 12" x 18".



1350 FF188

1 [BIG KNOB LEARNING PUZZLE SET](#)

Little ones will love to explore colors, shapes and numbers with our simple hardwood puzzles! Each puzzle has 5 pieces with easy-grip giant knobs...plus corresponding words or numbers printed on the boards! Set includes 3 puzzles in a storage rack. Puzzles measure 8 1/4" x 11 3/4".



1360 EE439

1 [BIG KNOB FIRST PUZZLE SET](#)

Little hands have no problem piecing together these adorable puzzles! Each simple puzzle has 4 wooden pieces with giant, easy-grip knobs—so they're a cinch for kids to grab and fit into place. And with matching illustrations right on the puzzle boards, they couldn't be better for beginners! Four puzzles come in a handy wire rack. Puzzles measure 9" x 9".



1370 TB125

1 [SIMPLE SHAPES PUZZLE BOARD](#)

As toddlers fit colorful, jumbo-sized pieces into our super-simple puzzle board, they develop fine motor control—and build early matching skills! The hardwood puzzle features 9 easy-grip, raised pieces. Board measures 8" x 8".



1380 FF444

1 [COLOR RINGS SORTING BOARD](#)

Toddlers get simple, hands-on practice matching colors...as they sort easy-grip rings onto 6 chubby pegs! Sturdy hardwood board comes with 24 chunky rings—4 each of 6 colors. Board measures 6 1/4" x 8".



1390 JJ434

1 [SORT-A-SHAPE ACTIVITY BOARD](#)

Please initial & date
here as approval

Little ones fit 16 jumbo, easy-grip pieces into place...and explore colors, shapes and early sorting skills—all at once! The big wooden pieces come in 4 shapes and 4 bright colors...kids just slide them onto the matching pegs, building eye/hand coordination and logical thinking skills—as they play. Board measures 7 1/2" x 7 1/2".



1400 AA388

1 [COLOR DISCOVERY BOXES](#)

Our fun-filled discovery boxes give tots an irresistible, hands-on way to develop color recognition! Each box features 4 delightful objects with exciting textures and bold patterns—all featuring the same bright color for plenty of reinforcement. Little ones reach in to explore a soft blue fish, a squeezable red ball and more...and discover each color one at a time. The 4 vinyl boxes and accessories are all surface-washable; each box measures 5".



1410 GG487

1 [SHAPES DISCOVERY BOXES](#)

Tots just open up our inviting boxes...and get a super-appealing introduction to basic shapes! Each box contains 4 irresistible items that share the same shape, including a labeled beanbag, an abstract shape and 2 everyday objects. Tots explore shapes one at a time as they open up the boxes to discover a round cookie, a triangular pizza slice and more! You get 4 surface-washable vinyl boxes and 16 shapes. Each box measures 5" tall.



1420 LA874

1 [MOTOR LINKS](#)

Our chubby vehicles are a cinch for little ones to link together...and pull apart! Set includes 72 rugged plastic vehicles—from cars and trains to boats—all with smooth, rounded edges for super-safe play. The 3" vehicles come in a stackable plastic storage tote.



1430 PP881

1 [MY FIRST POP BEADS](#)

Just press, pop...and build! Beads snap together and rotate for hours of building fun, whether kids are linking simple chains or constructing unique creations. The 32 textured plastic beads fit perfectly in small hands and come in 4 bright colors. Largest bead measures approximately 3 1/2". Set includes a user guide.



1440 AA775

1 [BUTTON SIZE-SORTING BOX](#)

This soft vinyl sorting box gives toddlers hands-on experience with color, shape, size and fine motor control. Tots just sort the buttons into the 6" box, then pop off the lid to do it again! Sorting box comes with 24 plastic buttons in 3 shapes and 4 colors.



1450 TB218

1 [CAN COUNT PUZZLE BOARD](#)

Our beautifully crafted hardwood puzzle board helps tots build number skills as they play! The board is printed with numbers 1-5...little ones just match the correct number of puzzle pieces to each numeral on the board—for fun, hands-on practice with early counting skills! Set includes 15 raised pieces. Board measures 8" x 8".



1460 FB997

1 [SENSORY BEADS LACING SET](#)

Easy to hold and a cinch to string, our big, bright beads make lacing a breeze! The 18 chunky beads have fun patterns and textures that are exciting to explore—plus, the laces are firm yet flexible, so they're easy to string! Laces measure 7 1/2"; beads measure 2".



1470 DD645

1 [MY FIRST PEGBOARD SET](#)

As tots fit chunky, baby-safe pegs into our fun-shaped pegboards, they explore color matching, develop eye/hand coordination and build muscle control! The big, 9" x 9" pegboards are made of soft, flexible foam...and the jumbo pegs measure 2" wide, so they're a cinch for small hands to grip. Set includes 4 boards and 40 pegs.



1480 TS749

1 [SOFT AND SAFE SENSORY SHAPES](#)

Little ones can't get enough of our squeezable sensory shapes—featuring stimulating textures that are fun to explore! Each chunky shape has rounded nubs on all sides and is made of flexible plastic that's easy for kids to grip! Set includes 6 shapes in 6 colors; tallest measures 4".



1490 AA105

1 [EASY-TWIST ANIMAL BUILDERS](#)

Made just for tiny hands, our adorable builders let children match up animal patterns to create 4 cute critters—or mix up the pieces for super-silly fun! However they put the animals together, tots develop fine motor skills and eye/hand coordination as they twist, turn and build! Set features a total of 16 pieces, including 4 animal rods and 12 animal body pieces. Rods measure 6 3/4" tall.



1500 AA866

1 [LAKESHORE TODDLER SCIENCE CTR](#)

Does a rubber ducky sink or float? What can a magnet pick up? What does a snake's skin look like up close? Little ones discover the answers to these questions and more with a toddler-safe science center made especially for them! We've packed the center with tons of super-safe materials children will love to explore, giving them hands-on experience with essential science concepts—from magnification and reflection to color recognition. Center includes everything shown, for a total of 34 pieces; the base for the shatterproof mirrors measures 9 1/2" in length. Topics include magnetism, magnification, reflection, color, and sink or float.



1510 TS429

1 [TOUCH-FEEL DISCOVERY BOOKS](#)

Bumpy, rough, soft, smooth and even sticky—these cute board books are filled with textures little ones will love to touch and explore! Plus, each book features bold photographs, bright colors, super-simple text and sturdy pages. You get 6 board books; each is 10 pages.



Please initial & date here as approval

1520 DD614

1 [SUPER-SAFE SPECIMEN VIEWERS](#)

Perfectly sized for little hands, our ingenious viewers give toddlers a safe, up-close look at real science specimens—from a butterfly to a sea star! Each plastic viewer has 2 chunky, easy-grip handles and a durable acrylic panel that protects the specimen while giving kids a crystal-clear view. Set includes 4 viewers; each measures 5 5/8". Child-safe specimens include a starfish, a flower, scorpions and a butterfly.



1530 DD658

1 [SUPER-SAFE MAGNIFIERS](#)

With chunky handles, rounded edges and a shatterproof design, our 6 1/2" magnifiers encourage early exploration! Set includes 4 magnifiers, each with a clear acrylic lens encased in a sturdy plastic frame.



1540 DD659

1 [SUPER-SAFE MIRRORS](#)

Babies love to see their reflections in our extra-safe, shatterproof mirrors! Each permanently encased mirror won't break and has a chunky plastic handle that's easy to grasp! Set includes 4 mirrors; each measures 6 1/2".



1550 DD657

1 [SUPER-SAFE COLOR VIEWERS](#)

What better way to explore colors than with super-safe viewers even babies can use! The 6 translucent viewers are all made of shatterproof acrylic...with chubby, easy-grip plastic handles. You get 2 each of 3 colors. Viewers measure 6 1/2" in length.



1560 RA432

1 [CRYSTAL BUILDING BLOCKS](#)

Our translucent blocks snap together with ease...and add a shimmering touch to brick building! Kids can even use them with our Color-Changing Light Tables—and watch the light shine through! Big set includes 168 easy-fitting plastic pieces in 2 shapes and 6 bright colors—all in a durable tote with a carrying handle. Large blocks measure 2 1/2" in length.



1570 AA540X

1 [TDLR-SAFE SENSRY MATERALS SET](#)

Now even toddlers can experience the excitement of sensory play—with super-safe, extra-chunky materials made especially for them! The complete set includes springy spirals, bumpy stars and squishy balls...all with unique textures to inspire hours of hands-on, tactile exploration. Plus, all 3 plastic materials are fully washable, so they can be used and reused for years to come! You get all 3 sets shown (sensory bins not included). Each material also available separately.



Item consists of

*1571 AA537

1 [TODDLER-SAFE SENSORY SPIRALS](#)

Now even toddlers can experience the excitement of sensory play—with super-safe, extra-chunky spirals made especially for them! Featuring a fun-to-touch squishy texture, the springy spirals are perfect for hours of hands-on, tactile exploration. Plus, the spirals are fully washable, so they can be used and reused for years to come! You get 115 durable plastic spirals in red and orange. Sensory bins sold separately.



*1572 AA538

1 [TODDLER-SAFE SENSORY BALLS](#)

Now even toddlers can experience the excitement of sensory play—with super-safe, extra-chunky balls made especially for them! Featuring a fun-to-touch squishy texture, the bumpy balls are perfect for hours of hands-on, tactile exploration. Plus, the balls are fully washable, so they can be used and reused for years to come! You get 50 durable plastic balls in light and dark green. Sensory bins sold separately.



*1573 AA539

1 [TODDLER-SAFE SENSORY STARS](#)

Now even toddlers can experience the excitement of sensory play—with super-safe, extra-chunky stars made especially for them! Featuring a fun-to-touch bumpy texture, the stars are perfect for hours of hands-on, tactile exploration. Plus, the stars are fully washable, so they can be used and reused for years to come! You get 175 durable plastic stars in light and dark blue. Sensory bins sold separately.



1580 LM136

1 [TODDLR-SAFE SENSORY BINS-3EA](#)

Our 3 clear-view plastic bins are each sized to hold an entire bag of sensory materials. Plus, the bins come with lids for easy storage. Bins measure 6" high; tops measure 10 1/4" x 15" and bottoms measure 7 1/2" x 11". Item consists of



*1581 266SB

3 [10 QT STORAGE CONTAINER W-LID](#)

1590 PP508

1 [SENSORY STARS BEANBAG SET](#)

Our colorful beanbags are fun to feel and toss—for a sensory experience little ones can't resist! Ideal for exploring texture and color, building gross motor skills, and tons of other activities, each star-shaped beanbag is covered in a different tactile material that tots will love to touch! You get 6 beanbags; each measures approximately 4 3/4" wide. Beanbags are machine- or surface-washable.



1600 AA931

1 [GIANT SIGHT AND SOUND TUBES](#)

A fascinating, hands-on way for tots to explore sight and sound! Each see-inside tube is filled with objects of different colors, weights, shapes and sizes—like feathers, balls, bells and sparkly gems—so kids get a variety of fun sensory experiences! Durable plastic tubes are permanently sealed for added safety. Set includes 5 tubes; each measures 16" in length.



1610 DD384

1 [SOFT-WASHABLE SENSORY BALLS](#)

Please initial & date here as approval

Tots touch, toss and squeeze our soft-sewn balls...and build sensory awareness as they play! The balls have lots of fun textures, super-bright colors...plus jingling bells, soft crinkles, rattling beads and more. Best of all, the balls are fully machine-washable! You get a set of 6 sensory balls; largest measures 7 1/2".



1620 EE428

1 [LAKESHORE SUPER SAND SET](#)

There really is something for everyone in our huge set of sand tools! We've included enough rugged plastic tools for the whole class to dig, measure, pour and more—from buckets, rakes and scoops to sieves, funnels and molds...even a sand wheel. You get 31 pieces in a mesh bag, plus a guide. Buckets measure 6 1/2" tall.



1630 AA628

1 [MIX-MATCH WATERFALLS-SET 4](#)

Our clever waterfall set helps kids explore the wonders of water movement...from a cascading waterfall to a spinning waterwheel! Kids can use the waterfalls one at a time, or stack units 2, 3 or 4 levels high...then pour water into the top and watch their multilevel waterfall creation come to life! Plus, the mix & match design lets kids create a new effect every time! Each durable plastic unit measures 5" tall.



1640 EE332

1 [FLOAT AND FND ALPHABET BUBBLES](#)

Bring language practice to water play! This set includes 26 watertight plastic bubbles that help kids identify letters and letter sounds from A to Z! Kids simply select a floating bubble from the water, peek inside to see an upper- and a lowercase letter...then flip the bubble over to see an image representing the matching beginning sound. See-inside bubbles measure 2 1/4".



1650 AA889

1 [TODDLER-SAFE ACTIVE PLAY KIT](#)

Get toddlers moving—and encourage gross motor development—with our Toddler-Safe Active Play Kit! From tot favorites like a big parachute to stepping-stones, playground balls and more, our kit comes packed with tools to help little ones build gross motor skills, improve balance and coordination, and boost their overall physical fitness. So whether children are completing a super-fun obstacle course or participating in a beanbag toss, they're taking part in cooperative play and exercising at the same time! You get 23 toddler-sized pieces—including balls, cones, number beanbags, stepping-stones, start and stop mats, a jumbo activity die and a parachute. Machine-washable nylon parachute measures 45" in diameter. Balls require inflation upon arrival.



1660 FR263

1 [FEEL AND ROLL BUMPY BALLS](#)

With stimulating textures and bold, vibrant colors, our bumpy balls are perfect for hands-on sensory exploration! Each ball is made of all-natural, nontoxic rubber and covered in a soft, fuzzy fabric that tots will love to touch. Plus, they're easy for little hands to grip—so children build fine motor skills as they roll, toss and bounce each one! Set includes 4 balls; largest measures 5".



1670 DD127

1 [LKSHR WRIST RIBBONS-ST OF 12](#)

Our stretchy satin ribbons slide right onto children's wrists—keeping their hands free to dance, wave, clap and more! The 12 ribbons include 2 each of 6 bright colors; the machine-washable ribbons measure 15 1/2" in length.



1680 RR748

1 [HOLD-A-RING WALKING ROPE](#)

Perfect for field trips or just walking down the hall, our ingenious walking rope makes it easy to travel with the whole class! The 10 colorful rings are made of soft stuffed vinyl that's easy for kids to hold and a cinch to wipe clean. Plus, each extra-sturdy ring is big enough for 2 children to grasp—so you can walk with up to 20 kids at a time! The 15' rope comes in a handy tote.



1690 PP281

1 [MAGNETIC STORAGE BOXES-SET 4](#)

Keep supplies within reach—without taking up valuable table space! Our versatile boxes hold tight to any magnetic surface and have write & wipe labels on front to keep materials organized. Each plastic box measures 4 1/4" wide and 2" deep.



1700 NS17

1 [ROLL OF BAGS](#)

Our 1,500 plastic bags measure 11" x 19" each.



1710 QJ578

1 [DISPOSABLE SANITARY GLOVES](#)

Our strong, lightweight plastic gloves are a classroom essential! Use them to change diapers, clean up spills and other messes, and more. Box contains 100 sanitary, latex- and powder-free adult-size gloves.



1720 AA910Z

2 [LKSHR TODDLR COT SHEET-DOZEN](#)

Soft, cotton/poly sheet has elastic bands that keep it securely attached to the cot. Machine-washable and dryer-safe. Item consists of



***1721 AA910**

24 [LAKESHORE TODDLER COT SHEET](#)

Please initial & date here as approval

Soft, cotton/poly sheet has elastic bands that keep it securely attached to the cot. Machine-washable and dryer-safe.



1730 GE202GRZ

2 [COTTON THERMAL BLANKET-DZ GR](#)

Our breathable thermal blanket is specially designed to keep little ones cozy in all kinds of weather! The blanket is made of machine-washable, 100% cotton.
Item consists of



***1731 GE202GR**

24 [COTTON THERMAL BLANKET-GREEN](#)

Our breathable thermal blanket is specially designed to keep little ones cozy in all kinds of weather! The blanket is made of machine-washable, 100% cotton.



1740 BR302BU

2 [BACKPATTERS SEAT - BLUE](#)

Sit comfortably on the floor...anytime, anywhere! Our ingenious chairs provide flexible classroom seating wherever you need it—ideal for soothing tots at naptime, reading a story on the carpet, giving kids a special place to sit and so much more. Plus, each seat has a cushioned back support that adjusts to the perfect position. Just lift the back of the seat to a comfortable height—then lay it flat for storage! Removable microfiber cover is machine-washable.



1750 BK660

1 [BIG RED BARN BIG BOOK](#)

Children learn all about life on the farm in this delightful story that features simple, rhythmic text and bright illustrations—in a vibrant big book version! Softcover big book by Margaret Wise Brown measures approximately 18" and is 32 pages.



1760 RR581

1 [BIG MOUTH COW PUPPET](#)

Our plush puppet has a giant working mouth and movable arms...so kids can perform—and verbalize—with ease! This kid-friendly puppet features delightful details, encouraging children to get into the act. Puppet measures approximately 8" tall and is machine-washable and dryer-safe.



1770 BK371

1 [BRWN BEAR WHAT DO U SEE-BIG BK](#)

The big book edition of a childhood classic is a must-have for any reading library! Easy-to-follow rhyming text has a pleasant pace that captivates children...and encourages them to wonder what they'll see next! Softcover big book by Bill Martin Jr. and Eric Carle measures approximately 18" and is 32 pages.



1780 RR586

1 [BIG MOUTH BEAR PUPPET](#)

Our plush puppet has a giant working mouth and movable arms...so kids can perform—and verbalize—with ease! This kid-friendly puppet features delightful details, encouraging children to get into the act. Puppet measures approximately 8" tall and is machine-washable and dryer-safe.



1790 RR583

1 [BIG MOUTH FROG PUPPET](#)

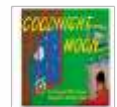
Our plush puppet has a giant working mouth and movable arms...so kids can perform—and verbalize—with ease! This kid-friendly puppet features delightful details, encouraging children to get into the act. Puppet measures approximately 8" tall and is machine-washable and dryer-safe.



1800 BK321

1 [GOODNIGHT MOON-BIG BOOK](#)

The beloved sleepytime story is now available in a fun big book edition! Colorful illustrations and simple, predictable text lull children to sleep as they say goodnight to kittens, mittens, noises and even stars. Softcover big book by Margaret Wise Brown measures 18" and is 32 pages.



1810 BK460

1 [POLAR BEAR-BIG BOOK](#)

What do the animals at the zoo hear? Children take a visual visit to the zoo and begin their adventure with a polar bear who hears a lion roaring, a zebra who hears a boa constrictor hissing and more! The big book edition features bold, vivid illustrations that pair perfectly with simple rhyming text children will want to experience again and again. Softcover big book by Bill Martin Jr. and Eric Carle measures approximately 19" and is 32 pages.



1820 LA990

1 [STORYTELLING BRD W-MAG BACKING](#)

Turn any magnetic surface into a place for storytime—with a handy storytelling board! Ideal for use with our Storytelling Kits (sold separately), the board has a hook & loop-receptive surface that props easily adhere to! Simply place the board on your easel, whiteboard or other magnetic display space and attach props to act out stories. When you're through, just remove and store the board for later use. Board measures 15" x 20".



1830 AA166

1 [POLAR BEAR WHT U HEAR STRY KIT](#)

Retelling this classic story is an absolute breeze with our toddler-safe kit! The pieces bring the beloved story to life—helping toddlers build oral language and vocabulary skills. Plus, the easy-to-use pieces stick right on any hook & loop-receptive surface—like our Storytelling Board with Magnetic Backing. Kit includes 12 pieces. Board book sold separately.



1840 BK356

1 [POLAR BEAR WHAT DO YOU HEAR-BB](#)

Please initial & date here as approval

What do the animals at the zoo hear? Children take a visual visit to the zoo, beginning their adventure with a polar bear who hears a lion roaring, a zebra who hears a boa constrictor hissing and more! The sturdy board book's bold and vivid illustrations pair perfectly with simple rhyming text children will want to experience again and again. Board book by Bill Martin Jr. and Eric Carle is 24 pages.



1850 AA167

1 [LITTLE BLU TRUCK STORYTLNG KIT](#)

Retelling this classic story is an absolute breeze with our toddler-safe kit! The pieces bring the beloved story to life—helping toddlers build oral language and vocabulary skills. Plus, the easy-to-use pieces stick right on any hook & loop-receptive surface—like our Storytelling Board with Magnetic Backing. Kit includes 7 pieces. Board book sold separately.



1860 BK357

1 [LITTLE BLUE TRUCK BOARD BOOK](#)

Children will love this rhyming romp about the importance of friendship, kindness and teamwork! Full of adorable illustrations and fun sounds, the sturdy board book tells the story of a brave truck and his animal friends, who help push a dump truck out of the mud. Board book by Alice Schertle and Jill McElmurry is 30 pages.



1870 AA168

1 [DUCK AND GOOSE STORYTELLING KIT](#)

Retelling this classic story is an absolute breeze with our toddler-safe kit! The pieces bring the beloved story to life—helping toddlers build oral language and vocabulary skills. Plus, the easy-to-use pieces stick right on any hook & loop-receptive surface—like our Storytelling Board with Magnetic Backing. Kit includes 7 pieces. Board book sold separately.



1880 BK358

1 [DUCK-GOOSE, GOOSE NEEDS HUG-BB](#)

In this touching story about friendship and affection, only a simple hug can help gloomy Goose cheer up! With adorable, expressive illustrations and simple dialogue, the sturdy board book is sure to delight young readers—and teach them the value of caring friends! Book by Tad Hills is 18 pages.



1890 AA169

1 [RAINBOW FISH COUNTING STRY KIT](#)

Retelling this classic story is an absolute breeze with our toddler-safe kit! The pieces bring the beloved story to life—helping toddlers build oral language and vocabulary skills. Plus, the easy-to-use pieces stick right on any hook & loop-receptive surface—like our Storytelling Board with Magnetic Backing. Kit includes 11 pieces. Board book sold separately.



1900 BK359

1 [RAINBOW FISH COUNTING-BDBK](#)

Children learn numbers 1-10...on an underwater counting adventure! The sturdy board book features vividly illustrated sea creatures—plus corresponding numerals and simple text. Board book by Marcus Pfister is 22 pages. Item is discontinued – Canceled.



1910 LC91

2 [LAKESHR CLEAR-VIEW STORAGE BOX](#)

End the "What's inside?" guessing game with this clear, stackable storage box! Constructed of unbreakable, heavy-duty plastic, the storage box measures a roomy 13 1/2"l x 8"w x 5"h.



1920 FF514

1 [TODDLER UNIT BLOCKS](#)

Toddlers will love to try their hand at building...with our solid hardwood blocks that were built to last—and created just for little hands! These unique blocks are smaller and more lightweight than standard-sized blocks, making them perfect for toddlers...and they're super-easy to grip, grab, pile and stack! Plus, our durable blocks are backed by a 50-year guarantee—if any block breaks or splinters within 50 years of the date of purchase, we'll replace it at no charge! The 100 blocks include triangles, arches, cylinders and rectangles—all with smooth, rounded corners for kid-friendly play. Largest piece measures 8 1/4" tall.



1930 LA591

1 [TODDLER BRISTLE BUILDERS](#)

Our bright, easy-to-use builders encourage creative play—and ensure tons of building fun for toddlers! With pieces in a variety of shapes and sizes that are simple to push together and pull apart, it's a breeze for kids to construct anything they imagine. Plus, you get 3 farm animal friends that connect to the builders and spin—to delight children again and again! Set includes 52 durable plastic pieces; base measures 8".



1940 BC407

1 [SOFT AND SAFE MIRROR BLOCKS](#)

Little ones love to build with our irresistible reflective blocks! Featuring super-safe shatterproof mirrors, the blocks are big and chunky, yet lightweight—so they're easy for young builders to handle. You get 10 mirror blocks made of sturdy foam for quiet play. Rectangular blocks measure 4 3/4" x 9 1/2".



1950 FB307

1 [SOFT AND SAFE FLEXI BLOCKS](#)

These soft, safe and incredibly flexible blocks make it easy for budding builders to stack and create! Tiny hands can easily fit the bendable blocks together—and take them apart to build again. You get 40 plastic blocks in 2 shapes and 8 colors. Largest block measures 4 1/8" wide.



1960 AA693

1 [GIANT CALM COLRS SOFT BLOCKS](#)

Soft and safe blocks—in soothing colors to complement any classroom decor! Our jumbo-sized blocks are made of extra-durable lightweight foam—so even the youngest builders can stack and create with ease. Plus, each block features precise edges for building super-sturdy structures...quietly! You get 26 giant blocks in 6 shapes, all in a vinyl tote. Largest block measures 6".



Please initial & date here as approval

1970 RA432

1 [CRYSTAL BUILDING BLOCKS](#)

Our translucent blocks snap together with ease...and add a shimmering touch to brick building! Kids can even use them with our Color-Changing Light Tables—and watch the light shine through! Big set includes 168 easy-fitting plastic pieces in 2 shapes and 6 bright colors—all in a durable tote with a carrying handle. Large blocks measure 2 1/2" in length.



1980 DC177

1 [TUB OF CARS AND TRUCKS](#)

Our extra-chunky vehicles are made of heavy-duty plastic, so they're tough enough for years and years of indoor and outdoor adventures! Our big set includes 25 smooth-rolling cars, trucks, wagons and more—all with rounded edges for safe play. Vehicles come in an easy-tote plastic tub. Cars measure 3 1/2" in length.



1990 AA599

1 [SOFT AND SAFE COMMUNITY HELPER](#)

Introduce little ones to important people in their community—with our soft and safe play figures! The extra-chubby figures are made of super-squeezable plastic that's easy to grab and hold...and they stimulate community awareness as kids play. Set of 5; each measures approximately 7" tall.



2000 LC91

3 [LAKESHOR CLEAR-VIEW STORAGE BOX](#)

End the "What's inside?" guessing game with this clear, stackable storage box! Constructed of unbreakable, heavy-duty plastic, the storage box measures a roomy 13 1/2"l x 8"w x 5"h.



2010 LL300

1 [DISHWASHR-SAFE LRG BASKET-NATL](#)

Tough and dependable classroom storage—with a soft and natural look! Each of these flexible baskets is made of thick, securely woven plastic that's designed to last and last—without fraying. The rugged baskets have built-in handles for easy toting...and are dishwasher-safe to make cleaning a cinch!



2020 DD470X

1 [LAKESHORE WASHABLE BABY DOLLS](#)

These darling dolls are super-detailed and incredibly lifelike, yet tough enough for classroom use and machine-washing! Made of molded vinyl and soft cloth, the dolls have movable arms and legs and squeezably soft bodies...plus interchangeable hook & loop outfits. Dolls measure 11" in length. Complete set comes with all 4 dolls shown. Each set also available separately. Item consists of



*2021 DD472

1 [WASHABLE CAUCASIAN BABY DOLL](#)

Our darling doll is super-detailed and incredibly lifelike, yet tough enough for classroom use and machine-washing! Made of molded vinyl and soft cloth, the doll has movable arms and legs and a squeezably soft body. Plus, the hook & loop outfit is interchangeable with other Lakeshore Washable Baby Dolls. Doll measures 11" in length.



*2022 DD471

1 [WASHBL AFRICAN AMER BABY DOLL](#)

Our darling doll is super-detailed and incredibly lifelike, yet tough enough for classroom use and machine-washing! Made of molded vinyl and soft cloth, the doll has movable arms and legs and a squeezably soft body. Plus, the hook & loop outfit is interchangeable with other Lakeshore Washable Baby Dolls. Doll measures 11" in length.



*2023 DD474

1 [WASHABLE HISPANIC BABY DOLL](#)

Our darling doll is super-detailed and incredibly lifelike, yet tough enough for classroom use and machine-washing! Made of molded vinyl and soft cloth, the doll has movable arms and legs and a squeezably soft body. Plus, the hook & loop outfit is interchangeable with other Lakeshore Washable Baby Dolls. Doll measures 11" in length.



*2024 DD473

1 [WASHABLE ASIAN BABY DOLL](#)

Our darling doll is super-detailed and incredibly lifelike, yet tough enough for classroom use and machine-washing! Made of molded vinyl and soft cloth, the doll has movable arms and legs and a squeezably soft body. Plus, the hook & loop outfit is interchangeable with other Lakeshore Washable Baby Dolls. Doll measures 11" in length.



2030 AA529

1 [CUDDLE AND CARRY BABY DOLL](#)

Little ones will love dressing our soft, snuggly baby doll in the easy-fasten dress and removable diaper...tucking her into the bassinet...and taking her with them wherever they go! Doll and bassinet are machine-washable. Bassinet measures 13" in length.



2040 HH642

1 [INDESTRUCTIBLE POTS-PANS SET](#)

Children cook up tons of pretend meals—with unbreakable pots and pans made just for them! The 18 kid-safe plastic cookware pieces include pots, pans and saucepans with lids...plus spoons, ladles and spatulas. Dishwasher-safe set is coordinated to our Indestructible Kitchen Playset. Saucepans measure 9 1/8" in length.



2050 LDA178

1 [INDESTRUCTBL DISHES-SERVE 4](#)

Our kid-sized cups, plates and utensils are made of super-safe, unbreakable plastic—so they're tough enough for years of pretend meals! Set includes everything you need for 4 complete place settings, for a total of 20 dishwasher-safe, rugged plastic pieces. Plate measures approximately 6 1/2" in diameter.



Please initial & date here as approval

2060 LM365

1 [BEST-BUY PLAY FOOD ASSORTMENT](#)

From pizza complete with toppings to nutritious sandwich fixings, our huge assortment of play food is a feast for the imagination! We've included lots of deliciously realistic play food for breakfast, lunch, dinner...even snacks and desserts! The 100 plastic pieces come in a tub. Each taco measures 4 1/4" in length.



2070 TT215

1 [TODDLER DRESS-UP TRUNK](#)

Easy to slip on, easy to take off...our dress-ups are made just for toddlers! Each wipe-clean vinyl dress-up has realistic details silkscreened right on, plus handy hook & loop closures. Each slip-on outfit comes with a hat and a soft, flexible accessory made just for tots, like a lasso for the cowboy and a magic wand for the princess. You get 12 pieces in a 17 1/2" plastic trunk. Dress-ups fit ages 18 months-3 years.



2080 AZ985

2 [PUSH-BUTTON PLAY PHONE](#)

Our rugged, cordless play phone has buttons that ring when kids push them. Phone is made of tough plastic; receiver measures 8" in length.



2090 HH991

1 [AFRICAN AMER SOFT-SAFE FAMILY](#)

As tots explore these soft and safe dolls, they get a hands-on introduction to family—and develop cultural awareness! Our African American family includes 4 extra-chubby dolls made of soft, squeezable plastic that's perfect for little hands. Largest doll measures 5 1/2" tall.



2100 HH992

1 [CAUCASIAN SOFT AND SAFE FAMILY](#)

As tots explore these soft and safe dolls, they get a hands-on introduction to family—and develop cultural awareness! Our Caucasian family includes 4 extra-chubby dolls made of soft, squeezable plastic that's perfect for little hands. Largest doll measures 5 1/2" tall.



2110 HH994

1 [HISPANIC SOFT AND SAFE FAMILY](#)

As tots explore these soft and safe dolls, they get a hands-on introduction to family—and develop cultural awareness! Our Hispanic family includes 4 extra-chubby dolls made of soft, squeezable plastic that's perfect for little hands. Largest doll measures 5 1/2" tall.



2120 LL304

1 [DISHWASHER-SAFE SML BASKET-NATL](#)

Tough and dependable classroom storage—with a soft and natural look! Each of these flexible baskets is made of thick, securely woven plastic that's designed to last and last—without fraying. The rugged baskets have built-in handles for easy toting...and are dishwasher-safe to make cleaning a cinch!



2130 CE326

1 [CLSSRM CD-CASS PLYR W-BLTOOTH](#)

A CD & cassette player equipped with BLUETOOTH wireless technology! Our portable, multifunction player lets you wirelessly stream music from BLUETOOTH devices, such as phones and tablets. It also has a programmable CD player, a cassette player and recorder, an FM radio...plus an auxiliary jack for non-BLUETOOTH devices. There are even six 1/8" headphone jacks—perfect for letting multiple children listen at the same time! Player measures 13 1/4" in length and plugs into the wall or runs on 8 "C" batteries. Batteries, phone, tape and CD not included.



2140 YH443

1 [RELAXING CLASSICS FOR KIDS CD](#)

Restore calm to the classroom after energetic activities with this soothing collection of classical pieces. From solo piano tracks to orchestral performances, the selections are perfect for helping children wind down and relax. The 2-CD set includes a total of 29 tracks.



2150 KM132

1 [MULTICLTRL RHYTHM STICK FUN CD](#)

Perfect for use with rhythm sticks, these 23 stick-tapping, singable songs help kids work on rhythm and coordination...and introduce rhythms from all over the world. CD comes with lyrics.



2160 JC13

1 [RHYTHM STICK ACTIVITY KIT](#)

Our colorful wooden sticks help children develop eye/hand coordination and rhythm. Kit includes an activity book with over 50 ideas for one- and two-stick games. You get 24 sticks; each measures 12".



2170 LC241

1 [HEAVY-DUTY DRUMS-SET OF 4](#)

Our classroom-tough drums will stand up to all the tapping, pounding and playing children can dish out! Each drum features a sturdy plastic design...and comes complete with a big, tapered mallet that's easy for children to grip as they play. The mallets even fit into the side of each drum for super-easy storage! Set includes 4 drums and 4 mallets; drums measure 8" in diameter.



2180 TF273

1 [TRUE TONE XYLOPHONE](#)

Our easy-play xylophone combines a tough design with superior-quality sound! The rugged plastic xylophone comes with a guide and has 8 securely attached, graduated metal bars—creating clear, accurate notes with every tap of the kid-safe mallet. Xylophone measures 11".



Please initial & date here as approval

2190 RA478

1 [HEAVY-DUTY RHYTHM SET](#)

Let children shake, jingle and pound away—these rugged instruments will last through years of busy music-making! The heavy-duty plastic rhythm set includes enough instruments for up to 12 children at once. Plus, each instrument has an easy-grip design, so they're a breeze for little hands to hold and play! Set includes 12 instruments. Maracas measure 6 1/4".



2200 DD127

2 [LKSHR WRIST RIBBONS-ST OF 12](#)

Our stretchy satin ribbons slide right onto children's wrists—keeping their hands free to dance, wave, clap and more! The 12 ribbons include 2 each of 6 bright colors; the machine-washable ribbons measure 15 1/2" in length.



2210 LL302

1 [DISHWASHR-SAFE MED BASKET-NATL](#)

Tough and dependable classroom storage—with a soft and natural look! Each of these flexible baskets is made of thick, securely woven plastic that's designed to last and last—without fraying. The rugged baskets have built-in handles for easy toting...and are dishwasher-safe to make cleaning a cinch!



2220 RA216

1 [CLSSC BRD BK STORY COLLECTION](#)

The perfect introduction to storybooks! We've collected 8 classic children's favorites, filled with delightful stories and captivating illustrations—all in sturdy board book editions that will last and last. Collection includes "Goodnight Moon," "Jamberry" and more. Collection includes 8 board books.



2230 RA351

1 [BEST BEHAVIOR BOARD BK COLL](#)

Simple words and charming illustrations make it easy for even young children to understand the benefits of good behavior—from staying healthy and respecting others to learning positive ways to cope with their feelings! Set includes 8 board books, each with helpful tips for parents and caregivers.



2240 RE485

1 [OCEAN ANIMALS BOARD BK LIBRY](#)

Explore the underwater world from A to Z, see how animal babies and mamas live in the ocean, and learn all about ocean creatures from big to small! These 5 sturdy board books have been specially selected for their simple text, playful verses and eye-catching graphics that are sure to make them instant favorites with little ones!



2250 RA368

1 [SOFT AND SQUEEZY OCEAN ANIMALS](#)

Specially designed for young children, our adorable ocean animals have squeezable soft bodies that are a cinch for little ones to grab, hold and play with! From an octopus and dolphin to a seal and hammerhead shark, our set includes 10 irresistible vinyl animals with charming details and friendly features children are sure to love. Orca measures 6 1/2" in length.



2260 RA324

1 [MULTICULTURAL BRD BK COLLECTN](#)

Even young kids can explore the diverse world around them...with our engaging board book collection! As children flip through the sturdy pages, they discover that kids are the same all over the world, whether they're from Alaska, South Africa—or somewhere in between! Collection includes the 8 books shown.



2270 RA709

1 [DEALING W-FEELINGS BRD BK COL](#)

Children learn how to cope with their feelings...with beautifully illustrated board books that foster social-emotional growth! Our collection includes 8 sturdy board books, each featuring simple language and expressive illustrations that make concepts easy for children to understand.



2280 FF704

1 [FEELINGS-EMOTIONS WASHBL DOLLS](#)

Introduce the concept of feelings and emotions with our adorable soft-sewn dolls! Perfect for circle time or dramatic play, each cloth doll features a permanently stitched expression that helps children recognize the emotions of others—and learn to understand their own feelings. Best of all, the multi-ethnic dolls are completely machine-washable! Set includes all 4 dolls; each measures 12" tall. Each doll also available separately.



Item consists of

***2281 FF708**

1 [SCARED WASHABLE DOLL](#)

Introduce the concept of feelings and emotions with our adorable soft-sewn doll! Perfect for circle time or dramatic play, the cloth doll features a permanently stitched expression that helps children recognize the emotions of others—and learn to understand their own feelings. Best of all, the doll is completely machine-washable! Doll measures 12" tall.



***2282 FF707**

1 [ANGRY WASHABLE DOLL](#)

Introduce the concept of feelings and emotions with our adorable soft-sewn doll! Perfect for circle time or dramatic play, the cloth doll features a permanently stitched expression that helps children recognize the emotions of others—and learn to understand their own feelings. Best of all, the doll is completely machine-washable! Doll measures 12" tall.



***2283 FF706**

1 [SAD WASHABLE DOLL](#)

Introduce the concept of feelings and emotions with our adorable soft-sewn doll! Perfect for circle time or dramatic play, the cloth doll features a permanently stitched expression that helps children recognize the emotions of others—and learn to understand their own feelings. Best of all, the doll is completely machine-washable! Doll measures 12" tall.



Please initial & date here as approval

***2284 FF705**

1 [HAPPY WASHABLE DOLL](#)

Introduce the concept of feelings and emotions with our adorable soft-sewn doll! Perfect for circle time or dramatic play, the cloth doll features a permanently stitched expression that helps children recognize the emotions of others—and learn to understand their own feelings. Best of all, the doll is completely machine-washable! Doll measures 12" tall.



2290 RE484

1 [COLORS AND SHAPES BRD BK LIB](#)

Our inviting board books introduce toddlers to shapes and colors! These 5 sturdy board books have been specially selected for their simple text, playful verses, and eye-catching illustrations and images that are sure to make them instant favorites with little ones!



2300 TS429

1 [TOUCH-FEEL DISCOVERY BOOKS](#)

Bumpy, rough, soft, smooth and even sticky—these cute board books are filled with textures little ones will love to touch and explore! Plus, each book features bold photographs, bright colors, super-simple text and sturdy pages. You get 6 board books; each is 10 pages.



2310 RE486

1 [THINGS THAT GO BOARD BK LIBRY](#)

A charming board book collection introduces children to planes, trains, trucks and more! Five sturdy board books have been specially selected for their simple text, playful verses and eye-catching graphics that are sure to make them instant favorites with little ones!



2320 EV367

1 [MAGNETIC CONSTRUCTION VEHICLES](#)

Link 'em up—then let 'em roll into action! These chubby, easy-grip construction vehicles have safe, fully contained magnets in front and back, so it's a cinch for little ones to link them together into a fun-filled convoy. Plus, they easily disconnect to roll around on their own—for double the fun! Durable plastic vehicles feature smooth-rolling wheels and functional parts. Set includes 3 vehicles: a dump truck, cement mixer and tow truck. Each measures 4 1/2" in length.



2330 VR977

1 [MY 1ST MIX N MATCH MAGN VEHIC](#)

Kids mix and match these click-together pieces to create familiar vehicles...or wacky new combinations! A built-in magnetic locking system helps the chunky pieces connect in a snap and stay connected for frustration-free play. Each piece even features easy-gliding wheels—so kids can create vehicles that are ready to roll into action! You get 8 durable plastic pieces for creating 4 complete vehicles. Assembled car measures approximately 7" in length.



2340 CR211

1 [TRAIN-BLUE ENGINE](#)

Our super-tough train is ready for any adventure! Made of 100% recycled plastic with no metal axles, our train stands up to indoor and outdoor play...plus, the interlockable steam engine and 2 cars have a realistic design—including an open wagon for hauling cargo and real-working parts that roll! Connected train measures 21 1/4". Dishwasher-safe.



2350 CF639

1 [CLICK AND POSE FARM ANIMALS](#)

A sheep, a chicken, a cow and more—our lovable farm animals feature movable parts that squeak and click as tots pose them in all kinds of fun ways! Plastic set includes 6 different animals; horse measures 3 1/2" in length.



2360 RR584

1 [BIG MOUTH DUCK PUPPET](#)

Our plush puppet has a giant working mouth and movable arms...so kids can perform—and verbalize—with ease! This kid-friendly puppet features delightful details, encouraging children to get into the act. Puppet measures approximately 8" tall and is machine-washable and dryer-safe.



2370 RR582

1 [BIG MOUTH PIG PUPPET](#)

Our plush puppet has a giant working mouth and movable arms...so kids can perform—and verbalize—with ease! This kid-friendly puppet features delightful details, encouraging children to get into the act. Puppet measures approximately 8" tall and is machine-washable and dryer-safe.



2380 RR585

1 [BIG MOUTH DOG PUPPET](#)

Our plush puppet has a giant working mouth and movable arms...so kids can perform—and verbalize—with ease! This kid-friendly puppet features delightful details, encouraging children to get into the act. Puppet measures approximately 8" tall and is machine-washable and dryer-safe.



2390 LC323

4 [TODDLER VINYL PAINT SMOCK-BLUE](#)

Protect kids' clothes during their messiest activities! Our wipe-clean, waterproof toddler smock is made of extra-rugged vinyl to stand up to years of use. It features a simple closure tots can fasten all by themselves...plus a convenient design that covers children from front to back! Smock comes in blue.



2400 AA342

1 [WASHABLE FINGERPAINT ASSORTMNT](#)

Now little artists can get as messy as they want—with fun-to-use fingerpaint that's completely washable! Our vibrant fingerpaint has a smooth, glossy texture that spreads easily and won't crack when dried. Best of all, it washes right off of children's skin and clothes! Choose from a variety of colors.



Please initial & date here as approval

2410 PX2020

1 [LAKSHR WASHABLE TEMPERA-ASST](#)

No more stained, ruined clothes...these brilliant paints are completely washable from skin and clothing! Our washable tempera paint comes ready to use in 1-pint bottles. Choose from a variety of colors.



2420 TA5316

1 [16 X 22 FINGERPAINT PAPER](#)

Our 60-pound sheets of paper feature smoothly glazed surfaces that are ideal for fingerpainting. Sheets measure 16" x 22"; pack includes 100 sheets.



2430 LA820X

2 [LAKSHR NO-SPILL PAINT CUPS-10EA](#)

Knock over our ingenious paint cups, and the paint won't drip or spill—even with the top open! The one-piece lids screw on and off, so refills are a breeze—and the easy-access hinged tops flip all the way back...and snap shut for storage! Durable plastic paint cups measure 4" tall. Paint sold separately.



2440 LC1340X

2 [H-D NYLON BRISTLES-10 COLORS](#)

These rugged, easy-grip brushes were made just for beginners...and feature plastic handles and long-lasting nylon bristles. They're even color-coordinated to our No-Spill Paint Cups. Set includes 10 brushes; each measures 7 1/4" in length.



2450 TA9

1 [NEWSPRINT EASEL PAPER-18X24 IN](#)

The most commonly used art paper—perfect for art easels, tabletop use and more! Newsprint paper comes in two convenient sizes.



2460 AX20

1 [LAKSHR DOUGH ASSORTMENT-SET 1](#)

Here's nontoxic, pleasant-smelling dough in 6 super-bright colors! The lidded, 3-pound plastic tubs keep dough fresh and pliable. Item consists of



*2461 AX16

1 [LAKESHORE DOUGH-PURPLE](#)

Here's nontoxic, pleasant-smelling dough in 6 super-bright colors! The lidded, 3-pound plastic tubs keep dough fresh and pliable.



*2462 AX14

1 [LAKESHORE DOUGH-ORANGE](#)

Here's nontoxic, pleasant-smelling dough in 6 super-bright colors! The lidded, 3-pound plastic tubs keep dough fresh and pliable.



*2463 AX8

1 [LAKESHORE DOUGH-GREEN](#)

Here's nontoxic, pleasant-smelling dough in 6 super-bright colors! The lidded, 3-pound plastic tubs keep dough fresh and pliable.



*2464 AX6

1 [LAKESHORE DOUGH-YELLOW](#)

Here's nontoxic, pleasant-smelling dough in 6 super-bright colors! The lidded, 3-pound plastic tubs keep dough fresh and pliable.



*2465 AX4

1 [LAKESHORE DOUGH-BLUE](#)

Here's nontoxic, pleasant-smelling dough in 6 super-bright colors! The lidded, 3-pound plastic tubs keep dough fresh and pliable.



*2466 AX2

1 [LAKESHORE DOUGH-RED](#)

Here's nontoxic, pleasant-smelling dough in 6 super-bright colors! The lidded, 3-pound plastic tubs keep dough fresh and pliable.



2470 LL688

1 [LEARN TO COUNT DOUGH MATS](#)

Kids learn to count with our hands-on dough mats! Each mat features an irresistible, kid-friendly image that corresponds to a number from 1 to 20. Children simply create dough shapes to complete the image—and build counting skills as they play! Best of all, the mats are reusable—so little ones can practice counting from 1 to 20 again and again! You get 20 mats. Dough sold separately.



Please initial & date here as approval

2480 LA278

1 [UPPRCS ALPHA-NUMBR DOUGH STMPs](#)

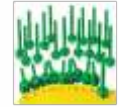
Our easy-grip stampers put the entire alphabet—and numbers 0-9—at kids’ fingertips...so they can practice numbers and letters as they create with dough or clay! Letters and numbers are clearly printed on each stamper, so it’s easy for children to find the one they need. You get a set of 36 nonstick plastic stampers with 4" handles. Dough sold separately.



2490 LA532

1 [LOWERCASE ALPHA DOUGH STAMPERS](#)

Stamp out perfect letters every time with our nonstick lowercase stampers! The 26 stampers each have their matching letter printed on top so kids can easily find the stamps they need, and impressions are scaled to our Uppercase Alphabet Dough Stampers for even more word building! Stampers come in a zipper bag; handles measure 4" in length. Dough sold separately.



2500 DS296

2 [MIX-MATCH SENSORY SPHERES](#)

Kids express their creativity and explore their senses—as they make tons of fun designs in dough, paint and more! Our two-piece spheres open up and connect with a twist—so kids can mix and match the 4 patterns as they create fascinating impressions! Set includes 8 plastic, dishwasher-safe spheres. Each sphere measures 2 1/2" in diameter.



2510 LA712

1 [GIANT WASHABLE INK PADS-ST 1](#)

What could be more fun than stamping impressions with our giant-sized ink pads—they’re big enough for apples, leaves, even kid-sized handprints! Jumbo pads hold lots of vivid color, and the ink is fully washable for easy cleanup! Each stamp pad measures 6" in diameter.



2520 VX735

1 [BST-BUY CRAYON JUMBO-8-CLR BOX](#)

Enough crayons for the whole year! Our sturdy, compartmentalized storage box holds a set of top-quality school crayons that won’t streak or smear! You get 200 crayons in 8 colors: purple, red, green, yellow, black, blue, brown and orange.



2530 LC654

1 [SUPER-SAFE TABLETOP PAPER CTR](#)

Amazing art is always at your fingertips—with our help-yourself paper center! It features a super-safe “cutting” edge that lets children choose just the right amount of paper, plus a lift-out dowel that makes replacing the rolls a snap. The hardwood paper center includes a 400-foot paper roll. Center measures 13 3/4" w x 6 1/2" d x 5 1/4" h.



2540 TA50RD

1 [CONST PAPER 9X12-RED](#)

This construction paper is perfect for all your arts & crafts projects! The 48-pound stock construction paper comes in a variety of vibrant colors and two sizes—9" x 12" or 12" x 18".



2550 TA50RG

1 [CONST PAPER 9X12-ORANGE](#)

This construction paper is perfect for all your arts & crafts projects! The 48-pound stock construction paper comes in a variety of vibrant colors and two sizes—9" x 12" or 12" x 18".



2560 TA50GB

1 [CONST PAPER 9X12-BRIGHT GREEN](#)

This construction paper is perfect for all your arts & crafts projects! The 48-pound stock construction paper comes in a variety of vibrant colors and two sizes—9" x 12" or 12" x 18".



2570 TA50VT

1 [CONST PAPER 9X12-VIOLET](#)

This construction paper is perfect for all your arts & crafts projects! The 48-pound stock construction paper comes in a variety of vibrant colors and two sizes—9" x 12" or 12" x 18".



2580 TA50BU

1 [CONST PAPER 9X12-BLUE](#)

This construction paper is perfect for all your arts & crafts projects! The 48-pound stock construction paper comes in a variety of vibrant colors and two sizes—9" x 12" or 12" x 18".



2590 TA50YE

1 [CONST PAPER 9X12-YELLOW](#)

This construction paper is perfect for all your arts & crafts projects! The 48-pound stock construction paper comes in a variety of vibrant colors and two sizes—9" x 12" or 12" x 18".



2600 TA50SB

1 [CONST PAPER 9X12-SKY BLUE](#)

This construction paper is perfect for all your arts & crafts projects! The 48-pound stock construction paper comes in a variety of vibrant colors and two sizes—9" x 12" or 12" x 18".



Please initial & date here as approval

2610 TA4409

2 WHITE DRAWING PAPER 9X12 INCH

Let kids' creativity soar with our versatile, multipurpose art paper! The thick, 50-pound paper is perfect for use with chalk, paints, markers and crayons. Choose from 2 different sizes; each pack includes 500 sheets.



2620 LC91

6 LAKESHR CLEAR-VIEW STORAGE BOX

End the "What's inside?" guessing game with this clear, stackable storage box! Constructed of unbreakable, heavy-duty plastic, the storage box measures a roomy 13 1/2" x 8" w x 5" h.



2630 EE439

1 BIG KNOB FIRST PUZZLE SET

Little hands have no problem piecing together these adorable puzzles! Each simple puzzle has 4 wooden pieces with giant, easy-grip knobs—so they're a cinch for kids to grab and fit into place. And with matching illustrations right on the puzzle boards, they couldn't be better for beginners! Four puzzles come in a handy wire rack. Puzzles measure 9" x 9".



2640 TB218

1 I CAN COUNT PUZZLE BOARD

Our beautifully crafted hardwood puzzle board helps tots build number skills as they play! The board is printed with numbers 1-5...little ones just match the correct number of puzzle pieces to each numeral on the board—for fun, hands-on practice with early counting skills! Set includes 15 raised pieces. Board measures 8" x 8".



2650 FF444

1 COLOR RINGS SORTING BOARD

Toddlers get simple, hands-on practice matching colors...as they sort easy-grip rings onto 6 chubby pegs! Sturdy hardwood board comes with 24 chunky rings—4 each of 6 colors. Board measures 6 1/4" x 8".



2660 JJ434

1 SORT-A-SHAPE ACTIVITY BOARD

Little ones fit 16 jumbo, easy-grip pieces into place...and explore colors, shapes and early sorting skills—all at once! The big wooden pieces come in 4 shapes and 4 bright colors...kids just slide them onto the matching pegs, building eye/hand coordination and logical thinking skills—as they play. Board measures 7 1/2" x 7 1/2".



2670 EE788

1 LETS GO FISHING PLAYSET

Even beginners can make a catch every time with our no-fail fishing set! It features 10 soft cloth fish in lots of vibrant colors, plus a chubby, child-safe pole that's easy for toddlers to hold. Kids just stick the pole into the clear vinyl bowl...and the hook & loop tip sticks right to the fish! And, as children play, they develop color awareness and fine motor skills with every catch. Bowl measures 10".



2680 FB997

1 SENSORY BEADS LACING SET

Easy to hold and a cinch to string, our big, bright beads make lacing a breeze! The 18 chunky beads have fun patterns and textures that are exciting to explore—plus, the laces are firm yet flexible, so they're easy to string! Laces measure 7 1/2"; beads measure 2".



2690 CS439

1 CRAZY SHAPES MAG BUILD SET

Kids go crazy for these magnetic builders! The 30 wacky shapes stick to each other thanks to the super-strong magnets inside. Just link up wheels, tubes, a propeller and more to create robots, helicopters, real-rolling vehicles and anything else little engineers can dream up! Largest piece measures 5 1/2" in length.



2700 AA478

1 PUZZLE BUILDERS

Toddlers build critical thinking and fine motor skills at the same time...with our stimulating puzzle pieces! The colorful plastic set includes 60 chunky pieces—each with an adorable 3-D ladybug, spider or caterpillar. Little ones just connect the pieces from any side...for no-fail play! Each piece measures 3 3/4". The pieces come in a plastic tote.



2710 LA766

1 TOWER BUILDERS

Our easy-stacking builders are a cinch for little hands to work with...and they interlock, so kids' constructions remain stable during the building process! Plus, the durable plastic pieces fit together in a variety of different angles for maximum building possibilities. You get 30 pieces in 6 colors—all in a stackable plastic tote. Each piece measures 5 5/8".



2720 LL302

2 DISHWASHER-SAFE MED BASKET-NATL

Tough and dependable classroom storage—with a soft and natural look! Each of these flexible baskets is made of thick, securely woven plastic that's designed to last and last—without fraying. The rugged baskets have built-in handles for easy toting...and are dishwasher-safe to make cleaning a cinch!



2730 DD657

2 SUPER-SAFE COLOR VIEWERS

What better way to explore colors than with super-safe viewers even babies can use! The 6 translucent viewers are all made of shatterproof acrylic...with chubby, easy-grip plastic handles. You get 2 each of 3 colors. Viewers measure 6 1/2" in length.



Please initial & date
here as approval

2740 DD659

2 [SUPER-SAFE MIRRORS](#)

Babies love to see their reflections in our extra-safe, shatterproof mirrors! Each permanently encased mirror won't break and has a chunky plastic handle that's easy to grasp! Set includes 4 mirrors; each measures 6 1/2".



2750 LL304

2 [DISHWASHER-SAFE SML BASKET-NATL](#)

Tough and dependable classroom storage—with a soft and natural look! Each of these flexible baskets is made of thick, securely woven plastic that's designed to last and last—without fraying. The rugged baskets have built-in handles for easy toting...and are dishwasher-safe to make cleaning a cinch!



2760 AA866

1 [LAKESHORE TODDLER SCIENCE CTR](#)

Does a rubber ducky sink or float? What can a magnet pick up? What does a snake's skin look like up close? Little ones discover the answers to these questions and more with a toddler-safe science center made especially for them! We've packed the center with tons of super-safe materials children will love to explore, giving them hands-on experience with essential science concepts—from magnification and reflection to color recognition. Center includes everything shown, for a total of 34 pieces; the base for the shatterproof mirrors measures 9 1/2" in length. Topics include magnetism, magnification, reflection, color, and sink or float.



2770 RA362

1 [SOFT AND SQUEEZY WILD ANIMALS](#)

Specially designed for young children, our adorable wild animals have squeezable soft bodies that are a cinch for little ones to grab, hold and play with! From an alligator and elephant to a zebra and gorilla, our set includes 8 irresistible vinyl animals with charming details and friendly features children are sure to love. Tiger measures 6 1/2" in length.



2780 RA367

1 [SOFT AND SQUEEZY FARM ANIMALS](#)

Specially designed for young children, our adorable farm animals have squeezable soft bodies that are a cinch for little ones to grab, hold and play with! From a horse to a sheep, our set includes 10 irresistible vinyl animals with charming details and friendly features children are sure to love. Large pig measures 5" in length.



2790 DD614

1 [SUPER-SAFE SPECIMEN VIEWERS](#)

Perfectly sized for little hands, our ingenious viewers give toddlers a safe, up-close look at real science specimens—from a butterfly to a sea star! Each plastic viewer has 2 chunky, easy-grip handles and a durable acrylic panel that protects the specimen while giving kids a crystal-clear view. Set includes 4 viewers; each measures 5 5/8". Child-safe specimens include a starfish, a flower, scorpions and a butterfly.



2800 RA369

1 [SOFT AND SQUEEZY DINOSAURS](#)

Specially designed for young children, our adorable dinos have squeezable soft bodies that are a cinch for little ones to grab, hold and play with! From a triceratops to a stegosaurus, our set includes 8 irresistible vinyl dinosaurs with charming details and friendly features children are sure to love. T. rex measures 6 3/4" in length.



2810 RR416

1 [COLOR-CHANGING TOUCH BOARD](#)

Children just press their hands on our color-changing board...and leave behind a surprising impression! Our heat-sensitive board changes colors as little fingers trace letters, draw shapes and more—giving kids hours of delightful fine motor practice...and an introduction to pre-writing. The hardwood board features an easy-grip handle and comes with a guide. Board measures 13" x 16 1/2".



2820 EE428

1 [LAKESHORE SUPER SAND SET](#)

There really is something for everyone in our huge set of sand tools! We've included enough rugged plastic tools for the whole class to dig, measure, pour and more—from buckets, rakes and scoops to sieves, funnels and molds...even a sand wheel. You get 31 pieces in a mesh bag, plus a guide. Buckets measure 6 1/2" tall.



2830 AA628

1 [MIX-MATCH WATERFALLS-SET 4](#)

Our clever waterfall set helps kids explore the wonders of water movement...from a cascading waterfall to a spinning waterwheel! Kids can use the waterfalls one at a time, or stack units 2, 3 or 4 levels high...then pour water into the top and watch their multilevel waterfall creation come to life! Plus, the mix & match design lets kids create a new effect every time! Each durable plastic unit measures 5" tall.



2840 EE332

1 [FLOAT AND FND ALPHABET BUBBLES](#)

Bring language practice to water play! This set includes 26 watertight plastic bubbles that help kids identify letters and letter sounds from A to Z! Kids simply select a floating bubble from the water, peek inside to see an upper- and a lowercase letter...then flip the bubble over to see an image representing the matching beginning sound. See-inside bubbles measure 2 1/4".



2850 FF188

1 [BIG KNOB LEARNING PUZZLE SET](#)

Little ones will love to explore colors, shapes and numbers with our simple hardwood puzzles! Each puzzle has 5 pieces with easy-grip giant knobs...plus corresponding words or numbers printed on the boards! Set includes 3 puzzles in a storage rack. Puzzles measure 8 1/4" x 11 3/4".



2860 AA739

1 [MY FIRST MAGIC BOARD](#)

Please initial & date here as approval

Our tot-friendly board has everything little ones need to draw and design—in one convenient place! Featuring a permanently attached magnetic “crayon” that’s easy for little hands to hold and control, plus an easy-slide eraser that makes it a cinch to clean the screen, the board is perfect for endless drawing and pre-writing practice. Sturdy plastic board measures approximately 10 1/4" x 14 7/8".



2870 PP158

1 [INFANT-TODDLER PHOTO LIBRARY](#)

Boost essential vocabulary—with enticing photo cards designed just for little learners! Our 50 durable laminated cards have a photo on front and corresponding word on back to build print awareness and early language skills. Perfect for circle time, independent exploration and more, the cards are organized into 8 popular themes—from food to animals! Cards measure a big 6" x 6".



2880 GG366

1 [BUILDING LANG DISCOVERY BOXES](#)

Our irresistible boxes are a great way to get little ones talking...and building lots of language skills! Each one comes with 4 squeezable vinyl objects that tots are sure to love, from adorable animals to favorite foods. And as tots explore each box, they get lots of opportunities to develop language skills, from naming objects to early sorting practice! You get four 5" boxes and 16 objects—all surface-washable.



2890 AA388

1 [COLOR DISCOVERY BOXES](#)

Our fun-filled discovery boxes give tots an irresistible, hands-on way to develop color recognition! Each box features 4 delightful objects with exciting textures and bold patterns—all featuring the same bright color for plenty of reinforcement. Little ones reach in to explore a soft blue fish, a squeezable red ball and more...and discover each color one at a time. The 4 vinyl boxes and accessories are all surface-washable; each box measures 5".



2900 LL278

1 [LADYBUG NUMBER MATCH](#)

Our playful ladybugs help children practice counting, match numbers to quantities and more! Kids just count up the dots on a ladybug—then find the leaf with the matching numeral from 1 to 10. Each leaf has a self-correcting peg that only fits the matching ladybug, so our set is perfect for independent practice. Set features a total of 20 pieces, including 10 plastic ladybug counters and 10 leaves, plus a guide with activity ideas. Leaves measure 3 3/4" in length.



2910 AA775

1 [BUTTON SIZE-SORTING BOX](#)

This soft vinyl sorting box gives toddlers hands-on experience with color, shape, size and fine motor control. Tots just sort the buttons into the 6" box, then pop off the lid to do it again! Sorting box comes with 24 plastic buttons in 3 shapes and 4 colors.



2920 FF186

1 [EARLY MATH ACTIVITY CENTER](#)

Our activity-filled center features irresistible elephant manipulatives with a variety of attributes—giving children fun, hands-on practice with sorting, patterning and counting! The center includes 4 illustrated activity mats, plus 36 easy-grip elephants in 3 sizes and 4 colors. Children just place the animals onto each mat as they practice copying & extending patterns, counting to 20, and sorting by size or color! Activity mats measure 11 1/2" x 18".



2930 LL774

1 [MY FIRST SORTING BEARS](#)

Give little ones an irresistible introduction to sorting—with big, easy-grip bears designed just for them! You get 24 extra-chubby bears in 2 different sizes and 4 bright colors...plus 8 corresponding activity cards. Tots just place the bears right on the cards to sort each one by size and color! Large bears measure 2 3/4".



2940 LL112BU

1 [LAKESHORE PAPER TRAY-BLUE](#)

Our stackable plastic tray is ideal for turning in homework, storing worksheets and more! Tray holds 8 1/2" x 11" or 9" x 12" paper. Tray measures 3" high; top measures 11" x 14" and bottom measures 9 1/2" x 12 1/2".



2950 LL112GR

1 [LAKESHORE PAPER TRAY-GREEN](#)

Our stackable plastic tray is ideal for turning in homework, storing worksheets and more! Tray holds 8 1/2" x 11" or 9" x 12" paper. Tray measures 3" high; top measures 11" x 14" and bottom measures 9 1/2" x 12 1/2".



2960 LC1589Z

2 [LAKESHORE COT SHEET-DOZEN](#)

Polyester/cotton sheet has elastic bands to hold it in place for a snug fit. Machine-washable and dryer-safe. Item consists of



***2961 LC1589**

24 [LAKESHORE COT SHEET](#)

Polyester/cotton sheet has elastic bands to hold it in place for a snug fit. Machine-washable and dryer-safe.



2970 CB534

1 [EASY-STCK CRDBRD BLCKS-STRT ST](#)

Strong like bricks, yet light enough for a child to lift several with one hand! These jumbo blocks are made of incredibly durable cardboard...and they're super-lightweight, so even little builders can create towering structures. The 24 blocks come in 4 colors and 3 sizes. Largest block measures 12" in length. Easy assembly.



2980 LL227

1 [PLAYFUL PENGUIN ICE BLOCKS](#)

Please initial & date here as approval

Our nature-inspired blocks look like real ice cubes—for a fun, hands-on way to combine open-ended block building with dramatic play! Kids easily stack and arrange the blocks any way they like to create a custom polar habitat...then add adorable penguins to really bring the environment to life. Plus, children develop fine motor control, spatial awareness, problem-solving skills and more with every landscape they create! Set includes 28 plastic “ice” blocks in 3 designs, plus 6 penguins and an activity guide. Largest blocks measure 4”.

2990 PP871 [1 CASTLE BLOCKS](#)

Our enchanting hardwood blocks let kids create a fascinating fortress, a spacious palace and more! The durable, stackable blocks come in 12 unique shapes and are printed on every side with a fun medieval theme—so kids can construct castles from all directions! Set includes 60 blocks. Largest block measures 6”.

3000 LM826 [1 HARDWOOD COMMNTY VEHICLES SET](#)

Made of solid hardwood, our vehicles are built to stand up to years of hard-driving block play! Detailed vehicles have easy-rolling wheels, with axles drilled through the vehicles for extra durability. Set comes with 10 vehicles in 10 designs, including a taxi, a mail truck, a fire engine, a city bus and more. Each vehicle measures 4” to 4 1/2”.

3010 RJ10 [1 BLOCK PLAY TRAFFIC SIGNS](#)

Whether it’s “One Way” or “No U Turn,” young motorists get the message! Authentic reproductions of actual road signs are scaled for block and transportation play. You get a set of 10 wooden signs; tallest measures 7 1/2” high.

3020 HH239 [1 POSE AND PLAY KIDS-SET OF 4](#)

Perfectly sized for our Treehouse Imagination Builders, these flexible plastic dolls have bendable arms and legs—so they’re fully poseable! Set includes 4 easy-clean dolls; largest measures 3 1/2” tall.

3030 RR653 [1 LKSHR COMMNTY BLCK PLAY PEOPLE](#)

No city or town is complete without community workers! From a police officer with a badge and cuffs to a scientist with goggles and a beaker, our block play figures have tons of realistic details and represent a variety of occupations, ages and ethnicities. Plus, all 12 vinyl play figures are molded to stand upright...and scaled perfectly to our Lakeshore Block Play People; tallest figure measures 5 1/2”.

3040 RR759 [1 LKSHR BLK PLAY PEOPLE DIF ABIL](#)

Increase the diversity of your block play community! The 6 vinyl play people include a variety of ages, ethnicities and genders...with realistic details and adaptive equipment—from leg braces to a hearing aid. Figures are scaled to our Lakeshore Block Play People; tallest figure measures 5 1/2”.

3050 RA367 [1 SOFT AND SQUEEZY FARM ANIMALS](#)

Specially designed for young children, our adorable farm animals have squeezable soft bodies that are a cinch for little ones to grab, hold and play with! From a horse to a sheep, our set includes 10 irresistible vinyl animals with charming details and friendly features children are sure to love. Large pig measures 5” in length.

3060 GG348 [1 CLASSIC WILD ANIMAL COLLECTION](#)

Turn your imaginative play area into a wild animal habitat...just add our amazingly detailed animals! Diverse collection features both adult and baby animals, including several endangered species. Set includes 18 vinyl animals and a guide; giraffe measures 8” tall.

3070 LC91 [1 LAKESHR CLEAR-VIEW STORAGE BOX](#)

End the “What’s inside?” guessing game with this clear, stackable storage box! Constructed of unbreakable, heavy-duty plastic, the storage box measures a roomy 13 1/2”l x 8”w x 5”h.

3080 DS302 [1 FEELS REAL ASIAN BABY DOLL](#)

Children can’t wait to cradle and care for this remarkably lifelike doll! The doll is made of wipe-clean vinyl and has distinct facial features and a realistically molded head, arms and legs—so it’s fun to take care of. Children can even “change” the doll’s easy-to-fasten diapers! Doll measures 14” in length.

3090 DS301 [1 FEELS REAL AFRICAN AMER DOLL](#)

Children can’t wait to cradle and care for this remarkably lifelike doll! The doll is made of wipe-clean vinyl and has distinct facial features and a realistically molded head, arms and legs—so it’s fun to take care of. Children can even “change” the doll’s easy-to-fasten diapers! Doll measures 14” in length.

3100 DS305 [1 BEDTIME CLOTHES-14IN BABY DOLL](#)

Our super-soft clothes are fully machine-washable! Perfect for use with our Feels Real Baby Dolls and other 14” baby dolls, our 10-piece polyester set includes 4 hats, 2 shirts, 2 onesies and 2 bottoms.

3110 DS240 [1 BABY DOLL BLANKETS-BOTTLES](#)



Please initial & date here as approval

These super-soft blankets and easy-grip bottles are great for enhancing doll play! You get 4 machine-washable polyester blankets, plus 4 matching baby bottles made from durable, kid-safe plastic. Blankets measure 18" x 18".



3120 LC182 [**1 CAUCASIAN BOY DOLL**](#)

Our incredibly realistic doll has detailed facial features and a super-accurate skin tone that brings dramatic play to life. Plus, the school-quality doll features a removable outfit with hook & loop closures, securely rooted hair that stands up to years of constant grooming and a soft vinyl body that children will love to cuddle and care for. Doll measures 16" tall.



3130 LC183 [**1 HISPANIC GIRL DOLL**](#)

Our incredibly realistic doll has detailed facial features and a super-accurate skin tone that brings dramatic play to life. Plus, the school-quality doll features a removable outfit with hook & loop closures, securely rooted hair that stands up to years of constant grooming and a soft vinyl body that children will love to cuddle and care for. Doll measures 16" tall.



3140 LC1149 [**1 GUIDE DOG, HARNESS AND CANE**](#)

Explore differing abilities during doll play—with our guide dog, harness and cane! Designed for use with our Multi-Ethnic School Dolls, the set is perfect for helping children become familiar with adaptive equipment—so kids can better understand themselves and others! Set includes 1 guide dog, 1 harness and 1 cane. Guide dog measures approximately 9".



3150 LC1151 [**1 WALKER AND ACCESSORY BAG**](#)

Explore differing abilities during doll play—with our walker and accessory bag! Designed for use with our Multi-Ethnic School Dolls, our set is perfect for helping children become familiar with adaptive equipment—so kids can better understand themselves and others! Set includes 1 walker and 1 accessory bag; walker measures 7 1/2" tall.



3160 HH414 [**1 JUST LIKE HOME KITCHEN PLAYSET**](#)

Serve up pretend play—and engage children’s imaginations—with beautiful, super-realistic tableware! The durable, dishwasher-safe set has all the classic elegance of the real thing but is sized perfectly for small hands and built extra-tough to withstand heavy classroom use. Set includes 4 complete place settings for a total of 24 rugged plastic pieces. Plates measure 6" in diameter.



3170 RR896 [**1 VEGETABLE BASKET**](#)

Our easy-tote basket is brimming with life-sized vegetables—perfect for adding a realistic touch to play kitchens and stores...or for introducing nutrition concepts! The big plastic basket comes packed with 15 durable plastic vegetable pieces. Basket measures 11"l x 8 1/2"w x 5"h.



3180 LM366 [**1 BEST-BUY MULTICULTRL PLAY FOOD**](#)

Here’s a great way to introduce children to cultures from around the world! Our giant play food set includes 100 rugged plastic pieces representing cuisine from Japan, Italy, China and Mexico—from sushi rolls and Italian sausage to steamed dumplings and tortilla chips. Set comes in a storage tub with an illustrated guide identifying each type of food. Pizza measures 6 1/2".



3190 HH642 [**1 INDESTRUCTIBLE POTS-PANS SET**](#)

Children cook up tons of pretend meals—with unbreakable pots and pans made just for them! The 18 kid-safe plastic cookware pieces include pots, pans and saucepans with lids...plus spoons, ladles and spatulas. Dishwasher-safe set is coordinated to our Indestructible Kitchen Playset. Saucepans measure 9 1/8" in length.



3200 LC801 [**1 MAIL CARRIER CAREER COSTUME**](#)

Children can make special deliveries all around town with our realistic mail carrier costume! The easy-on costume includes a washable cotton/polyester jacket with a handy zipper in front, plus a cap and an official-looking mail pouch. The school-quality costume fits children ages 3 to 6 years.



3210 LC802 [**1 ASTRONAUT CAREER COSTUME**](#)

Blast off into the cosmos with a fun-to-wear costume that brings pretend space adventures to life! The easy-on costume features a rugged vinyl coat with realistic, silkscreened details, plus handy hook & loop closures that make dress-ups a breeze. We’ve even included an authentic-looking helmet to make the outfit complete! The school-quality costume fits children ages 3 to 6 years.



3220 LC848 [**1 FIREFIGHTER CAREER COSTUME**](#)

Children are always ready for pretend emergencies with our cute firefighter outfit! The realistic, easy-on costume features a water-repellent coat and a sturdy plastic firefighter helmet. The school-quality costume fits children ages 3 to 6 years.



3230 LC807 [**1 DOCTOR CAREER COSTUME**](#)

The doctor is in! Children can’t wait to play dress-up with our realistic doctor costume. The easy-on costume includes an authentic-looking lab coat with hook & loop closures that make dress-ups a breeze. Plus, we’ve included a mirrored elastic headband that’s easy for kids to slip on and off. The school-quality costume fits children ages 3 to 6 years.



3240 HH718 [**1 PET VET CENTER**](#)

Please initial & date here as approval

Our activity-filled center lets young animal doctors bandage pretend wounds, listen to heartbeats, examine X-rays & more! Big, 20-piece set includes all the tools & supplies children need...you even get a cute, soft-sewn puppy for little ones to care for—complete with poseable legs for extra-realistic play. Puppy measures 9 1/2" tall.



3250 AZ985

1 [PUSH-BUTTON PLAY PHONE](#)

Our rugged, cordless play phone has buttons that ring when kids push them. Phone is made of tough plastic; receiver measures 8" in length.



3260 CE326

1 [CLASSROOM CD-CASS PLAYER W-BLUE TOOTH](#)

A CD & cassette player equipped with BLUETOOTH wireless technology! Our portable, multifunction player lets you wirelessly stream music from BLUETOOTH devices, such as phones and tablets. It also has a programmable CD player, a cassette player and recorder, an FM radio...plus an auxiliary jack for non-BLUETOOTH devices. There are even six 1/8" headphone jacks—perfect for letting multiple children listen at the same time! Player measures 13 1/4" in length and plugs into the wall or runs on 8 "C" batteries. Batteries, phone, tape and CD not included.



3270 FN2924C

4 [LISTENING CENTER HEADPHONES](#)

Specially sized for kids, our classroom-quality headphones feature comfortable, wipe-clean ear cushions and adjustable vinyl headbands that won't stretch out or lose their shape. The headphones include 1/4" and 1/8" adaptor plugs and are perfect with our 8-Station Junction Boxes.



3280 LA802

1 [8-STATION JUNC BOX W-VOL CNTRL](#)

Our convenient junction box has individual volume controls that let children adjust their own sound level. Simply plug the box into the headphone input of your audio player and connect up to 8 headphones at once! Box has 1/4" jacks for headphones.



3290 RE742X

1 [FAVORITE PIC BK RD-ALG SET 1](#)

These charming picture books help young readers develop fluency...with enchanting stories and lively narrations that really get students involved! Selected especially for beginning readers, these delightful kits each feature 4 copies of an enticing picture book, plus a read-along CD. Set includes all 5 read-along kits shown. Each kit also available separately. Item consists of



***3291 RE747**

1 [WHERE WILD THINGS ARE RD-ALG](#)

The award-winning, best-selling children's book about a wide-eyed child named Max—and the exciting adventure he takes to a wildly magical world! This exciting and imaginative tale with rich, colorful illustrations is a must-have for any children's library. Kit includes 4 copies of the book and a CD that narrates the story word for word. Paperback book by Maurice Sendak is 48 pages.



***3292 RE841**

1 [HAROLD-PURPLE CRAYON RD-ALNG](#)

With a purple crayon in hand, a young boy named Harold takes an exciting nighttime adventure—through his own imagination! Simple illustrations and easy-to-follow text capture and inspire the imaginations of children. Kit includes 4 copies of the book and a read-along CD. Softcover book by Crockett Johnson is 64 pages.



***3293 RE543**

1 [LOOKED LIKE SPILT MILK RD-ALNG](#)

A read-aloud storytime favorite! Word repetition and a mystery shape that shifts from page to page help capture the attention of beginning readers...and inspire their imaginations. Kit includes 4 copies of the book and a read-along CD that narrates the story word for word. Softcover book by Charles G. Shaw is 32 pages.



***3294 RE676**

1 [I WENT WALKING READ-ALONG](#)

Children will enjoy guessing which animal is next...as a little boy goes walking and encounters a black cat, a brown horse and more! Repetitive text makes this a great read-aloud book, and the colorful illustrations keep children engaged! Kit includes 4 copies of the book and a read-along CD. Softcover book by Sue Williams is 30 pages.



***3295 RE192**

1 [CLOUDY-CHANCE MTBALLS RD ALG](#)

Children of all ages love this fantastic fantasy about a town where the weather has gone awry—and food falls from the sky! This literacy-building read-along kit is specially designed for up to 4 readers: Just pop in the CD, and children listen and follow along on their own! Kit includes 4 copies of the paperback book by Judi Barrett and a CD that narrates the story word for word. Book is 32 pages.



3300 YH443

1 [RELAXING CLASSICS FOR KIDS CD](#)

Restore calm to the classroom after energetic activities with this soothing collection of classical pieces. From solo piano tracks to orchestral performances, the selections are perfect for helping children wind down and relax. The 2-CD set includes a total of 29 tracks.



3310 YH8D

1 [KIDS IN MOTION-CD](#)

Kids love to get moving to the catchy beats of Greg & Steve! The songs in the collection encourage children to boogie, balance and even freeze in place. CD includes 15 tracks.



3320 EG648

1 [EGG SHAKERS - SET OF 12](#)

Please initial & date here as approval

It's easy to introduce little ones to rhythm and music with our colorful egg shakers! The rugged plastic shakers are filled with beads that rattle with every shake...and the fun egg shape fits right inside children's hands! Set includes 12 egg shakers in 4 colors; shakers measure 2 1/4".



3330 LC1410

1 [10-PLAYER RHYTHM SET](#)

Perfect for up to 10 players, our top-quality rhythm set includes 1 each of wrist and ankle bells, jingle clog, guiro tone block, triangle, castanets and cluster bells; plus 1 pair each of sand blocks, rhythm sticks and maracas. Set comes in a handy plastic storage box with a lid.



3340 RA714

1 [PAPERBACK CLASSICS LIBRARY](#)

A collection of favorite storybooks...in economical paperback versions! A smart addition to any classroom, our library features classic books like The Snowy Day and Stone Soup that are sure to be read, reread and loved for years. Library includes 15 paperback books.



3350 RR850X

1 [MULTICULTURAL STORIES PB LIBRY](#)

Children gain pride in themselves—and increase understanding of others—as they listen to and look at this spectacular collection of stories. We've included books about children from faraway places and children from here at home, traditional stories and legends, and contemporary tales about life today. The library consists of 12 paperback books.



3360 RE437

1 [FEELINGS-EMOTIONS PB LIBRARY](#)

With simple, reassuring language, plus expressive photos and illustrations, this collection helps kids recognize a variety of emotions—and learn positive ways to express their own feelings! Each book focuses on a different topic—from feeling scared to being thankful—with inviting stories kids will love to hear again and again. Set includes 12 paperback books.



3370 KX23

1 [24X36 FLANNEL BOARD](#)

Our boards feature durable, high-nap flannel surfaces, sturdy aluminum frames and hangers for easy mounting.



3380 EE634

1 [THE SNOWY DAY STORYTELLING KIT](#)

This delightful kit is packed with all the cloth characters and props you need to bring one of children's favorite stories to life! Ideal for use with our Storytelling Board with Magnetic Backing or other hook & loop-receptive surfaces, the 12 stuffed cotton pieces feature charming stitched-on details—all the pieces needed to tell the story. Hardcover book sold separately.



3390 BK3313

1 [THE SNOWY DAY-HARDCOVER](#)

This is the simple and eloquent tale about a young boy named Peter who awakens to the first snowfall of the season! Children will love to follow Peter as he walks through a watercolor world of snow, making patterns, tracks—and even a snowman! Hardcover book by Ezra Jack Keats is 40 pages.



3400 RR543

1 [RAINBOW FISH STORYTELLING KIT](#)

This delightful kit is packed with all the cloth characters and props you need to bring one of children's favorite stories to life! Ideal for use with our Storytelling Board with Magnetic Backing or other hook & loop-receptive surfaces, the 10 stuffed cotton pieces feature charming stitched-on details—all the pieces needed to tell the story. Hardcover book sold separately.



3410 BK3311

1 [THE RAINBOW FISH-HC](#)

A classic tale about the importance of sharing—presented in fascinating and vivid detail! Each page features vivid underwater illustrations with dazzling foil stamping, plus easy-to-follow text that will captivate young children again and again. Hardcover book by Marcus Pfister is 32 pages.



3420 LA956

1 [VERY HUNGRY CATRPILLAR STRY KT](#)

This delightful kit is packed with all the cloth characters and props you need to bring one of children's favorite stories to life! Ideal for use with our Storytelling Board with Magnetic Backing or other hook & loop-receptive surfaces, the 21 stuffed cotton pieces feature charming stitched-on and printed details—all the pieces needed to tell the story. Hardcover book sold separately.



3430 BK3210

1 [VERY HUNGRY CATERPILLAR-HC](#)

This creative book by Eric Carle shows and tells the life of a caterpillar as he eats his way through each day—and ultimately becomes a butterfly! The book is beautifully illustrated with simple, easy-to-follow text and movable pages children will love to explore. Hardcover book is 24 pages.



3440 LA835

1 [STORYTELLING GLOVE](#)

Classic stories come to life...with our easy-to-use Storytelling Glove! The glove features a brushed nylon surface that our Storytelling Puppets stick to like magic—so it's easy to act out favorite stories right on your hand! Measures 10 1/4" tall. Puppets sold separately.



3450 LC266

1 [LITTLE RED HEN GLOVE PUPPET KIT](#)

Please initial & date here as approval

Our charming puppet set consists of all the felt characters children need to act out the classic sing-along story! Just stick them onto a brushed nylon surface to enjoy the story again and again. The set includes 7 puppet pieces; largest measures 2 3/4". Storytelling Glove sold separately.



3460 LC262

1 [3 BEARS GLOVE PUPPET KIT](#)

Our charming puppet set consists of all the felt characters children need to follow along with the classic story! Just stick them onto a brushed nylon surface to act out the story again and again. The set includes 7 puppet pieces; largest measures 4". Storytelling Glove sold separately.



3470 EE985X

1 [CLASSROOM CALMING KIT](#)

Our kit is packed with a variety of tools that help children learn to regulate their emotions—and find their favorite method for calming down and comforting themselves! You get an emotion slider to help kids recognize and label their feelings...4 fun-to-touch gel-bead "friends" that soothe as children squeeze...a wooden board to guide kids through mindful breathing...12 picture cubes featuring everyday calming activities...and a see-inside tube that relaxes kids as balls spiral down! Slider measures 11" in length. Each item also available separately.



***3471 EE957**

1 [FIND YOUR FEELINGS EMTN SLIDER](#)

Our hands-on slider helps children identify how they're feeling—an important step in regulating and labeling their emotions! The slider features eight labeled faces showing a variety of emotions, plus an easy-to-move pointer. Children just slide the pointer to the face that matches their mood, helping them understand themselves and communicate their feelings to others. You get a durable plastic slider and a guide; slider measures 2 3/4" x 11".



***3472 EE953**

1 [CALM DOWN CUBES](#)

Here's a unique way to teach children calming strategies—and help them learn to regulate their emotions! When a child needs to relax and refocus, our cubes offer 12 different soothing activities to choose from, like "Build with blocks," "Play with dough" and "Dance it out." Plus, each fun-to-use cube has a helpful illustration kids can follow on their own to calm down independently. You get 12 durable plastic cubes and a guide; each cube measures 1 1/4".



***3473 EE952**

1 [MINDFUL BREATHING BOARD](#)

Children master breathing techniques, learning to breathe deeply and mindfully, as they trace their way along our simple-to-use board! The board features easy-to-read printed directions alongside a smooth, grooved pathway that travels up and down three mountain peaks. As kids slowly move a finger over each mountain, they practice taking deep, calming breaths—and learn to regulate their emotions! You get a durable wooden breathing board and a guide; board measures 5 1/2" x 8 1/2".



***3474 EE951**

1 [GEL-BEAD EMOTION FRIENDS](#)

Our fun-to-touch Emotion Friends provide a unique sensory experience—as children explore how they're feeling and learn to regulate their emotions! Four different gel-bead friends have an illustrated face and a corresponding emotion word on front, plus colorful gel beads inside that help soothe kids with every squeeze! You get 4 Emotion Friends in 4 colors, plus a guide; each friend measures 4".



***3475 EE984**

1 [WATCH-IT-ROLL CALMING TUBE](#)

Our captivating sensory tube is the perfect way to calm busy minds! Kids will marvel as the 10 balls spiral down and around the permanently sealed, easy-grip tube...and when children flip it over, the soothing show starts all over again! You get a durable plastic tube and a guide; tube measures 9" tall.



3480 PP773

1 [CELEBRATING DIVERSITY POSTERS](#)

Our big, full-color posters provide a great starting point for age-appropriate conversations and activities exploring diversity, inclusion and understanding. Perfect for bulletin boards and classroom displays, the photographic posters feature multi-ethnic children in familiar scenarios—from a child pushing a friend in a wheelchair to a group of kids enjoying the same book—that remind students our differences are worth celebrating. Pack includes 20 posters and a guide with thematic activity ideas; each poster measures 11" x 16".



3490 AA708

1 [MOODS AND EMOTIONS MIRRORS](#)

Children identify and understand a range of moods and emotions...with skill-building mirrors that boost social-emotional awareness! Each features a safe, shatterproof mirror on one side and an expressive photo on the other—helping children recognize and identify each emotion in themselves! You get a set of 6 plastic mirrors with chubby, easy-grip handles. Each measures 8 1/4".



3500 EE929

1 [CATEGORY SORTING ACTIVITY BOX](#)

Prepare children for reading with lots of practice in problem solving! This handy box comes with 24 realistic miniatures and 6 different illustrated activity mats showing everything from a beach to a zoo. Kids just select a mat and match miniatures to the scene...building category sorting skills hands on! Mats measure 7" x 10".



3510 DD761

1 [MAG LANG LEARNNG RODS-DESC WRDS](#)

Magnetic rods give kids tons of practice with early language skills! Each durable wooden rod is magnetic—and shows a descriptive word for kids to match. Children simply place magnets right on each rod to match different objects to descriptive words like round, cold and soft! You get 8 rods, 32 magnets and an activity guide. Rods measure 9" long.



3520 PP949

1 [POSITIONAL WORDS RESOURCE BOX](#)

Children learn to recognize and understand positional words as they move cute manipulatives into one position after the next! You get 4 pairs of manipulatives, plus 24 cards with rebus-style instructions. Kids just follow the instructions to move the objects into place, and then flip the cards over to check their work. With each move, kids boost their understanding of positional words and strengthen their ability to give and follow directions! Bear measures 3 1/2".



Please initial & date here as approval

3530 TT824

1 [LETTER RECOGNITION LANG ILC](#)

Children build letter recognition—with a ready-to-use activity center they can explore on their own! Our instant center is specially designed for independent exploration: Just set out the materials, introduce the activity...then students use fun foam letters and activity mats to explore the upper- and lowercase alphabet at their own pace! The all-in-one center has enough materials for up to 4 children to work at once, including a double-sided instruction chart that gives everyone easy access to the activities...and simple picture instructions, so even nonreaders can participate. Center includes 104 letters, 4 drawstring bags, 4 alphabet mats and a write & wipe assessment card.



3540 LC126

1 [ALPHABET LEARNING LOCKS](#)

Here's the key to building alphabet skills! Our learning locks help kids recognize uppercase and lowercase letters and explore letter sounds. Kids simply choose a key and match it to the letter or to the picture on the lock—when they make a successful match, the key will turn and the lock will open for instant reinforcement! You get 26 locks and 26 keys; locks measure 3 1/4" tall.



3550 EE496

1 [CONSTRUCT-A-LTR ACTIVITY CNTR](#)

Construct a letter with every tap! Kids just grab an activity card and use the builders to form the letter on the burlap-covered foam board...then connect the builders with the nails, reinforcing letter formation as they go! Center includes 26 cards, 40 builders, 36 plastic nails, a durable foam hammering board with a reusable cover and a kid-safe plastic hammer. Board measures 12"l x 12"w x 3 1/4"h.



3560 FF196

1 [PHONEMIC AWARENESS FLDR GM LIB](#)

As children play our exciting folder games, they get hands-on, independent practice with beginning sounds, rhyming sounds, syllable counting and more! Our library features 10 self-checking folder games covering 6 essential language skills. Kids select a game and the corresponding pouch of game pieces...then just follow the picture instructions for tons of skill-building fun. Plus, all the pieces come precut and sorted—so there's no prep work required! Library comes in a sturdy storage box; folders measure 9 1/4" x 11 5/8".



3570 LM421

1 [SPLASH GAMES-BEGINNING SOUNDS](#)

A quick, easy way to introduce beginning sounds—our super-fun pool-themed game is sure to make a “splash”! Kids just draw an inner-tube card and keep it if they identify the beginning sound...or start again if they draw a “Splash!” The first player to collect 10 cards wins! Game includes 80 cards that cover 19 beginning sounds. For 2-4 players. Cards measure 1 3/4".



3580 AA528

1 [RHYMING SOUNDS LAUNCH-LRN GAME](#)

As children play our action-packed game, they push, launch, match—and master rhyming sounds! Children simply launch tiles from the dispenser and place them on the corresponding spots on their game mats...matching up pictures with rhyming sounds as they play! Game includes a sturdy tile dispenser, 48 wooden tiles and 8 different double-sided game mats—so kids can play again and again! For up to 4 players at once. Dispenser measures 5 1/2" tall.



3590 LC113

1 [LETTER CRAYONS WORD BLDG CTR](#)

Here's a colorful way to introduce simple words! Kids choose a card with a CVC word on one side and a matching image on the other...then snap the letter crayons into a crayon box to spell the word one letter at a time. Center includes four tough plastic crayon boxes, 32 plastic crayons and 24 self-checking cards—enough for up to 4 kids at once! Crayon boxes measure 3 1/4" x 4".



3600 EE258

1 [UPPERCASE TACTILE LETTERS](#)

A super-engaging way to explore the alphabet...right at kids' fingertips! Our 4" x 5" activity cards feature extra-big uppercase letters with a special textured surface...children just trace each letter with their fingers to develop pre-writing skills and letter recognition—and master the strokes they'll need to start printing! You get 26 cards.



3610 EE259

1 [LOWERCASE TACTILE LETTERS](#)

A super-engaging way to explore the alphabet...right at kids' fingertips! Our 4" x 5" activity cards feature extra-big lowercase letters with a special textured surface...children just trace each letter with their fingers to develop pre-writing skills and letter recognition—and master the strokes they'll need to start printing! You get 26 cards.



3620 LL681

1 [TRACE-WRITE ALPHABET CENTER](#)

Practicing letter formation is a breeze—with our convenient, carry-along center! Children simply place one of the double-sided activity cards on the left side of the board...follow the directional arrows to trace the upper- or lowercase letter with a finger...then use the attached stylus to write the letter on the magnetic writing surface. When they're done, kids just slide the eraser bar to clear their work and start all over again. Sturdy plastic board includes 26 activity cards and a guide. Board measures 10 3/4" x 14 3/4".



3630 LL628

4 [DBL-SIDED MAG WRITE-WIPE BRD](#)

Double-sided, write & wipe and magnetic—this handy lapboard has it all! Tempered masonite board has blank writing and drawing space on front...with permanent baselines on back. Board measures 9" x 12". Accessories sold separately.



3640 DD105

1 [4 PK W-W BLK THIN-LINE MARKR](#)

Narrow-tip, dry-erase markers make it easy to create fine lines—ideal for use with write & wipe cards, lapboards and more. Markers are nontoxic.



3650 RR423

1 [WRITE-WIPE LAPBRD ERASERS-10](#)

Please initial & date
here as approval

Perfect for use with write & wipe markers, our easy-grip erasers let children wipe lapboards clean in a flash—and they're sized just for little hands! Set includes 10 wood-handled erasers; each measures 2 1/4" in length.



3660 LC206

1 [MAGNETIC LETTERS-UPPERCASE](#)

Our chunky plastic uppercase letters stick to any magnetic surface—and are perfect for word building! The set includes 35 consonants and 13 vowels in an assortment of colors. Letters measure 1 3/8" tall. Magnetic board sold separately.



3670 LC207

1 [MAGNETIC LETTERS-LOWERCASE](#)

Our chunky plastic lowercase letters stick to any magnetic surface—and are perfect for word building! The set includes 35 consonants and 13 vowels in an assortment of colors. Letters measure approximately 1" tall. Magnetic board sold separately.



3680 TA2694

1 [RED BASELINE JUMBO NEWSPRINT](#)

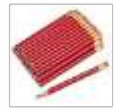
Perfect for writing and illustrating your own stories! You get 250 sheets of story paper with red baselines. Paper measures 12" x 18". Pages have 5/8" ruling.



3690 MN6

1 [JUMBO PENCILS-SET OF 36](#)

Set includes 36 pencils; each measures 3/8" thick.



3700 LC2915

2 [ADJUSTBL VINYL PAINT APRON-RED](#)

Protect kids' clothes during their messiest activities! Our wipe-clean, waterproof apron is made of extra-rugged vinyl to stand up to years of use...and includes a handy belt that adjusts for artists of all sizes!



3710 LC1340X

1 [H-D NYLON BRISTLES-10 COLORS](#)

These rugged, easy-grip brushes were made just for beginners...and feature plastic handles and long-lasting nylon bristles. They're even color-coordinated to our No-Spill Paint Cups. Set includes 10 brushes; each measures 7 1/4" in length.



3720 LA820X

1 [LKSHR NO-SPILL PAINT CUPS-10EA](#)

Knock over our ingenious paint cups, and the paint won't drip or spill—even with the top open! The one-piece lids screw on and off, so refills are a breeze—and the easy-access hinged tops flip all the way back...and snap shut for storage! Durable plastic paint cups measure 4" tall. Paint sold separately.



3730 PX2020

1 [LAKSHR WASHABLE TEMPERA-ASST](#)

No more stained, ruined clothes...these brilliant paints are completely washable from skin and clothing! Our washable tempera paint comes ready to use in 1-pint bottles. Choose from a variety of colors.



3740 TA9

1 [NEWSPRINT EASEL PAPER-18X24 IN](#)

The most commonly used art paper—perfect for art easels, tabletop use and more! Newsprint paper comes in two convenient sizes.



3750 LA416

1 [CLASSROOM CARRY-ALL](#)

There's no better way to organize art centers and craft projects! Lightweight, portable and handy as can be, our convenient carry-all comes with 8 plastic storage cups that are perfect for all kinds of art supplies, from pipe stems and craft sticks to crayons and scissors. The kid-safe metal carry-all measures 7 1/8" x 14". Supplies not included.



3760 LA926

1 [LAKESHR JUMBO COLORED PENCILS](#)

Even little hands have no trouble grasping these chunky colored pencils! Plus, they're extra-long, so they'll last and last! You get 12 pencils in 12 different colors—all in a storage box. Each pencil measures 3/8" thick and 7" in length.



3770 VX850

1 [BST-BUY CRAYON LARGE-8-CLR BOX](#)

Enough crayons for the whole year! Our sturdy, compartmentalized storage box holds a set of top-quality school crayons that won't streak or smear! You get 400 crayons in 8 colors: purple, red, green, yellow, black, blue, brown and orange.



3780 JJ126

1 [BEGIN SKILLS RUB PLATES-NUMBR](#)

Please initial & date here as approval

Kids build number recognition and counting skills—as they color! The 20 fun-to-use rubbing plates have big, bold numbers from 1 to 20...plus a corresponding number of images right below. Kids place paper over each plate and rub with a crayon—making an instant impression they can count and color! Plates measure 4" x 6 1/2". Rubbing crayons sold separately.

3790 TA50AC

5 [CONST PAPER 9X12-ASSORTED](#)

This construction paper is perfect for all your arts & crafts projects! The 48-pound stock construction paper comes in a variety of vibrant colors and two sizes—9" x 12" or 12" x 18".

3800 TA51AC

5 [CONST PAPER 12X18-ASSORTED](#)

This construction paper is perfect for all your arts & crafts projects! The 48-pound stock construction paper comes in a variety of vibrant colors and two sizes—9" x 12" or 12" x 18".

3810 AX6

1 [LAKESHORE DOUGH-YELLOW](#)

Here's nontoxic, pleasant-smelling dough in 6 super-bright colors! The lidded, 3-pound plastic tubs keep dough fresh and pliable.

3820 AX4

1 [LAKESHORE DOUGH-BLUE](#)

Here's nontoxic, pleasant-smelling dough in 6 super-bright colors! The lidded, 3-pound plastic tubs keep dough fresh and pliable.

3830 AX2

1 [LAKESHORE DOUGH-RED](#)

Here's nontoxic, pleasant-smelling dough in 6 super-bright colors! The lidded, 3-pound plastic tubs keep dough fresh and pliable.

3840 LA278

1 [UPPRCS ALPHA-NUMBR DOUGH STMPs](#)

Our easy-grip stampers put the entire alphabet—and numbers 0-9—at kids' fingertips...so they can practice numbers and letters as they create with dough or clay! Letters and numbers are clearly printed on each stamper, so it's easy for children to find the one they need. You get a set of 36 nonstick plastic stampers with 4" handles. Dough sold separately.

3850 AA696

1 [LAKESHORE SCISSORS CENTER](#)

Our colorful, kid-sized scissors are super-easy to use! They have easy-grip plastic handles and high-quality, stainless steel blades that make cutting a breeze for both righties and lefties. Plus, the scissors come in a handy caddy that keeps them organized—right where kids can reach them! You get 12 pairs of blunt-tip scissors and a hardwood and acrylic caddy. Caddy measures 7 3/4"w x 5"d x 4 1/4"h.

3860 RS4

10 [SCHOOL GLUE-WHITE-4 OZ](#)

Get a super-strong hold with this water-soluble glue that sets quickly and dries clear. Safe for all ages, it is nontoxic, washes easily off hands and clothes, and is harmless if swallowed. Glue comes in unbreakable plastic bottles. (4-ounce, pint and quart sizes feature easy-flow tops that actually unclog glue bottles each time you use them!)

3870 TT211

1 [3-D COLLAGE BOX](#)

This classroom-sized collage box is bursting with hundreds of 3-D art supplies! The 1,500 ready-to-use pieces include 1,000 wooden collage sticks, 200 plastic foam pieces in 5 shapes, and 300 colorful pom-poms in 4 sizes. Just set out the materials, add glue and let the class get creative! Cones measure 3" tall.

3880 VR359

1 [PEEL AND STICK WIGGLY EYES](#)

Easily add movement to collage creations with our set of peel & stick wiggly eyes in 3 sizes! Largest measures 1/2" in diameter.

3890 BA8112

1 [POM-POMS](#)

Our pom-poms add fuzzy fun to all kinds of craft projects. Pom-poms come in assorted sizes and colors; largest measures 2" in diameter.

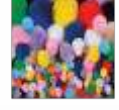
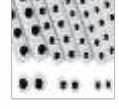
3900 LC120

1 [COLORED FEATHERS](#)

Our bright, beautiful feathers are perfect for adding color and texture to arts & crafts projects! From embellishing masks and costumes to decorating collages, the possibilities are endless. Largest feather measures 5" in length.

3910 HL150

1 [COLORED CRAFT STICKS](#)



Please initial & date here as approval

Our colorful craft sticks brighten up collage projects, crafts and more! Wooden craft sticks come in a rainbow of 6 colors. You get 500 sticks; each measures 3/8" x 4 1/2".



3920 BA7112 [1 PIPE STEMS-100 PCS](#)
Just twist and bend to form colorful, fuzzy creations! Each stem measures 12" in length.



3930 LA716 [1 HAIR-COLORS CRINKLE STRIPS](#)
These 5 realistic hair colors are perfect for lifelike self-portraits and fun paper dolls! You get 12.5 ounces of crinkle strips; each strip measures 9 1/4" in length.



3940 TC578 [1 MAKE-A-FACE SHEETS](#)
Make a face that's silly, scary, happy or sad! The 100 blank paper shapes come in 6 realistic skin tones; each shape measures 6 7/8" in length. Accessories sold separately.



3950 LA623 [1 3 5.8 X 3 5.8 LABELING POCKETS](#)
Now you can identify materials and supplies in an instant...with our super-convenient labeling pockets! Just slip a labeling card into each pocket, then stick the self-adhesive pockets onto drawers, cubbies, cots and more. Sets are available in 3 different sizes; each set includes 30 pockets and 35 blank labeling cards.



3960 RR750 [1 BRISTLE BUILDERS-STARTER SET](#)
These unbreakable blocks ensure building success! The soft bristles interlock when pushed together and stay attached until pulled apart. The tough polyethylene pieces come in lots of shapes and sizes, including wheels that really turn. Set includes 51 pieces in 6 colors; largest piece measures 5 1/4" in length.



3970 NR15 [1 LOG BUILDERS - STARTER SET](#)
A classic favorite! Our real wood building logs inspire children to build their own forts, villages, cabins and more. The lightweight, notch-together logs have a safe, nontoxic finish and come with roof pieces and a chimney. Set includes 162 pieces in 3 colors; longest piece measures 7 3/4".



3980 AA382 [1 EASY-GRIP JUMBO PEGS-PEGBOARD](#)
Our big, chunky pegs are a cinch for little hands to manipulate! Kids practice sorting, counting and patterning as they stick jumbo 2" plastic pegs into the flexible foam board—or even stack them on top of each other! Set includes 30 easy-grip pegs in 6 colors and an 8 1/2" x 8 1/2" board.



3990 BD292 [1 LACING ANIMALS](#)
Here's an engaging way to build eye/hand coordination and fine motor control! This fun lacing set is made especially for small hands—children just thread the laces through the holes in the animal-shaped boards. You get 16 sturdy plastic animal shapes in the 4 designs and colors shown, plus sixteen 32" plastic-tip laces in 4 colors. Dolphins measure 5 3/4" in length.



4000 PP838 [1 SNAP-BOTS](#)
Creating fun, one-of-a-kind robots is a snap! Kids mix and match parts in 9 different shapes to build a variety of freestanding robots that are ready for adventure. Our durable wooden builders feature easy-snap connections that help children sharpen fine motor skills as they create up to 6 bots at once—practicing shape recognition and open-ended building as they go! Set includes 36 builders; largest measures 2 3/4" in length.



4010 FD117 [1 INDESTRUCT GIANT BEADS-PATTERNS](#)
Our jumbo-sized beads are just right for small hands...and they're made of unbreakable plastic, so they'll stand up to years and years of lacing! The 68 chubby beads come in 5 shapes and 4 colors, and have extra-big holes for no-fail stringing. Plus, we've included 16 double-sided pattern cards with a variety of patterning activities, so kids stay challenged as they perfect their skills! Beads come in a tub with 10 laces; cube measures 1 3/8".



4020 AA371 [1 ZIP SNAP BUTTON DRESSING FRMES](#)
Our beautifully crafted dressing frames encourage beginners to practice dressing skills and develop finger dexterity! The sturdy, lightweight frames feature zips, extra-large snaps and buttons, so they're perfect for little hands. Plus, the solid hardwood frames feature thickly padded, double-sewn covers—for years of classroom use! Set includes 3 frames; each measures 9" x 11". Comes in a vinyl pouch.



4030 EE601 [1 FEED-THE-DOG GAME](#)
Kids build fine motor control, develop eye/hand coordination and more...as they help a hungry dog gobble up treats! Our irresistible game features a super-silly dog with a giant-sized mouth...plus big, fun-to-use tweezers designed just for little hands. Kids use the tweezers to grab tasty pretend bones and drop them into the dog's mouth...and fine-tune motor skills with every bite! Sturdy 5 1/2" vinyl dog comes with a bowl, 30 bones and tweezers.



4040 LL318 [1 TWEEZER TONGS COLOR SORTNG KIT](#)

Please initial & date here as approval

Children develop fine motor control, sorting skills and eye/hand coordination—with our engaging color sorting kit! Kids simply grip the sturdy tweezer tongs just like a pencil, then grab and sort the balls into the tubes by color—building the muscle control and coordination they need to begin writing! Kit includes an activity guide, 50 rubber balls in 5 different colors, one pair of durable 6" tweezer tongs, plus a color sorting tray with 5 removable, clear-view tubes. Tray measures 8 1/4".



4050 PP217

1 SEASONS AND WEATHER PUZZLE SET

From building a snowman in winter to swimming in summer, our hardwood puzzles feature an action-packed scene for every season! Set includes 4 puzzles, each with 8-10 pieces cut along logical lines. Puzzles measure 9" x 12".



4060 PP1116

1 CELEBRATING DIVERSITY FLR PUZL

Children discover our wonderful, diverse world as they put together this giant floor puzzle! Featuring children of different ethnicities, genders and abilities, the puzzle highlights just how much fun we can have together when we celebrate our diversity. The sturdy, 48-piece puzzle features bright, inviting details kids will love to complete, building fine motor control, concentration and problem-solving skills along the way. The self-correcting puzzle measures 2' x 3'.



4070 DD561

1 LAKESHORE COUNTING CONES

Our hands-on cones make counting practice a real treat! Kids simply snap the first scoop onto a number cone...then easily nest additional scoops on top to match the numeral printed on the cone—for frustration-free exploration of numbers and quantities through 10! Set comes with 55 ice cream scoops—enough to complete all 10 cones at once. Plastic cones measure 2" tall.



4080 DD372

1 NUTS ABOUT MATH-COUNTING

Boost early counting skills—with nuts and bolts kids can't wait to get their hands on! Children just choose a bolt featuring a numeral from 1 to 10 and twist on the matching number of nuts...building fine motor skills as they learn! Each bolt is designed to hold the exact quantity of nuts—so kids get no-fail counting practice every time. Plus, the molded plastic nuts and bolts feature a quick-release design that makes it a cinch to remove the nuts and start again. Set includes 10 bolts and 55 nuts; longest bolt measures 7 1/2".



4090 HH396

1 TACTILE NUMBERS MATCH-UPS

Our 2-piece match-ups put counting practice right at kids' fingertips! Children just match numbers 1-30 to corresponding quantities—then trace each tactile number with their finger to build pre-writing skills! You get 30 match-ups covering numbers 1-30. Match-ups measure 3" x 6 1/2".



4100 HH765

1 LINKING NUMBER MONKEYS

Building early math skills is a snap when children get their hands on our cute linking monkeys! Each brightly colored monkey has a big, bold number from 1 to 30 printed right on its belly. Children just link the monkeys' hands together to build number recognition, practice counting, boost sequencing skills and more! Each monkey measures 2 1/2" tall.



4110 DD407

1 FIND THE NUMBER ACTIVITY CNTR

Send kids on an underwater number adventure! Children just grab an activity card and identify which numbers they need to find...then use the tweezers to search through the tray and pull out each one—matching up numbers or counting objects to 10 as they go! You get everything shown, including 12 activity cards, 30 plastic numbers, 2 tweezers and a tray. Tray measures 6 1/2" x 9".



4120 LC1651

1 SIZE AND COLOR BUG COUNTERS

Math concepts are easy to grasp...with tons of kid-pleasing bugs for students to count, measure, compare and sort! Our big jar includes 144 rubber beetles, spiders and butterflies—each in 3 sizes and 4 colors. Large butterfly measures 1 1/2" in length. Set comes with an activity guide.



4130 DD741

1 GRAPHING TRAY

Perfect for use with our Math Counters, our large skill-building tray gives children tons of graphing practice! Little ones just place the counters in the handy molded compartments to explore graphing hands on...and easily keep the pieces in place as they work! Tray measures 10 3/4" x 14 1/4". Counters sold separately.



4140 LL407

1 HOW MUCH DOES IT WEIGH CENTER

Students get an instant, visual grasp of measurement concepts like heavy, light, balance and more...as they conduct simple investigations with our hands-on center! You get 24 activity cards with illustrated instructions that are just right for beginners...plus a balance scale to compare and contrast 40 manipulatives! Scale measures 12 3/4"; with a 9" wooden card stand.



4150 TT284

1 MEASUREMENT ILC

Kids get hands-on practice with measurement—with an instant activity center that makes independent practice a snap! Our ready-to-use center features step-by-step instructions that kids can easily follow on their own: Just set out the materials...then students use activity mats, measurement manipulatives, and "real world" items to practice their measurement skills! The center has enough materials for up to 4 children to work at once, including a double-sided instruction chart that gives everyone easy access to the activities...and simple picture instructions, so even nonreaders can participate. You get 8 mats and 24 measurement items, 64 measurement manipulatives, an instruction chart, plus a reproducible write & wipe assessment



4160 TT609

1 MAG MATH LRN RODS-SHAPE SRTNG

Please initial & date here as approval

_____	_____
-------	-------

Magnetic rods give kids tons of practice with shape sorting! Each durable wooden rod is magnetic and has a shape at the top. Kids simply place the magnets—each showing a real-world object—right on each rod to match the shape on top! The set comes with 8 rods and 40 magnets; largest rod measures 10" in length.



4170 TT951

1 [SHAPES ILC](#)

Kids build shape recognition—with an instant activity center that makes independent practice a snap! Our ready-to-use center features step-by-step instructions that kids can easily follow on their own: Just set out the materials...then students simply spin the spinner to match cute shapes to pictures on their game mats! The center has enough materials for up to 4 children to work at once, including a double-sided instruction chart that gives everyone easy access to the activities...and simple picture instructions, so even nonreaders can participate. You get 48 geometric shapes, 4 drawstring bags, 4 activity mats, a spinner, plus a reproducible write & wipe assessment card.



4180 EE329

1 [MAGNETIC PATTRN BLOCK BUILDRS](#)

With magnets built right into the edges, our easy-connect pattern blocks encourage hours of creative building fun! These colorful, translucent blocks come in a variety of fascinating shapes children love to mix and match. Powerful magnetic edges help the blocks stick together from many sides and angles, making it easy for kids to build up and out. Best of all, as children explore and create, they get a hands-on introduction to geometry! You get a set of 46 durable plastic blocks in 6 shapes and 6 colors. Hexagon measures 3 1/2" wide.



4190 LL459

1 [GEOBOARD DESIGN CENTER](#)

Give children hands-on geometry practice—at just the right level! Kids simply place an illustrated activity mat on a 9" pegboard...then use rubber bands to build the shapes on the mat! You get 20 different mats that progress in difficulty, so children can build everything from squares and octagons to spaceships and animals! Set includes 4 plastic pegboards and over 90 rubber bands, plus a guide.



4200 GR242

1 [SEE IT GROW PLANT LAB](#)

Seeds grow right before your eyes! You get three plexiglas greenhouses containing a nontoxic gel that accelerates growth and gives children a clear view of the roots. The gel contains all the nutrients the plants need—no watering required! Lab includes all you need for 3 plants. Greenhouses measure 4 3/4".



4210 HH584

1 [REPTILES SPECIMEN CENTER](#)

As children explore and examine our fascinating reptile specimens, they'll feel just like real scientists making incredible discoveries! Students simply use the magnifier in the center to investigate 5 amazing specimens—from an iguana skull and a snapping turtle shell to a super-realistic crocodile tooth. Then children explore the corresponding photo cards to learn even more about each animal...as they study the full-color photos on front and learn the exciting facts on back! Center comes with 5 replica specimens, 5 cards, a magnifier and a guide. Cards measure 5 1/2" x 7".



4220 LL602

1 [SEA LIFE SCIENCE VIEWER](#)

Venture into the wildest corners of Earth—for an up-close look at sea life! Our kid-sized viewer comes packed with amazingly lifelike photos and is super-easy for little ones to use: Children just slide a disk in...then pull the lever to switch from one fascinating photo to the next! Rugged plastic viewer comes with 35 photos on 5 disks. Viewer measures 4 1/2".



4230 PP543

1 [PLANTS ACTIVITY TIN](#)

Fascinating science concepts come to life with our all-in-one activity tin...where the lid becomes the work space! Simply place an activity mat on the inside of the magnetic lid and use the corresponding magnets to explore fruits and vegetables, plus the life cycle of plants. Activity tin includes 8 activity mats, 30 magnetic manipulatives and an activity guide...plus an answer card for instant reinforcement!



4240 TT549

1 [LAKESHORE MAGNIFIER CENTER](#)

Our heavy-duty magnifiers are designed just for children! They feature thick, quality lenses that magnify without distorting...and sturdy plastic frames with chunky handles that students can really get a grip on. Plus, the 6 magnifiers come in a hardwood center, so they are always within reach. Each magnifier measures 8".



4250 TT156

1 [STEM MAGNETS SCI STATION-K-1](#)

Children use magnets to push cars up a ramp, move a magnetic mouse through a maze and more—as they learn all about magnetism and magnetic fields! Our innovative STEM science station encourages children to learn about magnetism through hands-on exploration. It includes 8 cards that prompt students to perform simple experiments...with all the hands-on materials to complete each one. Plus, the station features an engineering activity to extend the learning—and build critical-thinking and problem-solving skills! Station includes a guide. Cards measure 8" x 8".



4260 HH221

1 [CAN DO COLOR AND LIGHT SCIENCE](#)

Our ready-to-use kit invites children to discover color and light...with tons of materials for hands-on exploration! Kit comes with 6 photo activity cards that make it a cinch for kids to conduct experiments on their own—with no reading required! Plus, you get everything children need to complete the activities—including 2 mirrors, 4 color paddles, a flashlight and more.



4270 HH220

1 [CAN DO SINK OR FLOAT SCIENCE](#)

Our ready-to-use kit invites children to discover buoyancy...with tons of materials for hands-on exploration! Kit comes with 6 photo activity cards that make it a cinch for kids to conduct experiments on their own—with no reading required! Plus, you get a container, an eyedropper and 8 real-life manipulatives—everything children need to complete the activities.



4280 HH506

1 [WHAT SOUND MYSTERY CAPSULES](#)

Students explore their sense of hearing with our peekaboo capsules! Kids just give one of the durable plastic capsules a shake, guess what's making the sound, then twist the capsule and look through a safe acrylic window to reveal the mystery objects hidden inside! Set of 8 capsules; each measures 3 1/2".



4290 TT691

1 [FIVE SENSES ILC](#)

Kids get a solid grasp of the 5 senses—with a hands-on learning center that comes ready to use! Our instant center has everything children need to build skills independently: Just set out the materials and introduce the activity...then children explore the 5 senses at their own pace—as they sort fun photo images onto their activity mats! The center has enough materials for up to 4 children to work at once, including a double-sided instruction chart that gives everyone easy access to the activities...and simple picture instructions, so even nonreaders can participate. Center includes 60 photo cards, 4 sorting mats, plus a write & wipe assessment card to track children's progress.



4300 TT697

1 [WEATHER AND SEASONS ILC](#)

Students learn all about weather and seasons—with a hands-on learning center that comes ready to use! Our instant center has everything children need to build skills independently: Just set out the materials and introduce the activity...then kids use colorful, compartmentalized trays to sort picture pieces by season! The center has enough materials for up to 4 children to work at once, including a double-sided instruction chart that gives everyone easy access to the activities...and simple picture instructions, so even nonreaders can participate. Center includes 4 sorting trays, 64 picture pieces, plus a write & wipe assessment card to track children's progress.



4310 PP439

1 [LAKESHORE WATER PLAY KIT](#)

Children have so much fun playing with our water play kit, they don't even know they're learning about the properties of water! The 38 plastic pieces include funnels, beakers, spoons, eyedroppers, cups and more—all in a mesh bag, with a guide. Tallest waterwheel measures 9 3/4".



4320 EE784

1 [SIFT AND FIND NUMBER SHELLS](#)

Children build number skills as they sift...and make exciting discoveries with every scoop! Our unique shells are printed with numbers 1-20...just add them to any sand play activity to reinforce early math concepts like counting, number recognition, addition and more. You get 20 plastic shells, a sifter and a guide, all in a 6 3/4" bucket.



4330 EE290










1 [DESIGN-BUILD WATER BLOCKS](#)

Turn any water play area into the perfect space for creative building! When our floating blocks get wet, they stick to each other like magic, making it easy for kids to create cityscapes, boats and more! You get 30 durable foam pieces, a mesh storage bag and a guide. Platform piece measures 7 1/2".



Please initial & date here as approval

Lakeshore Furniture

Line	Item	Qty	Description	Image
10	AA893	1	PLAY-TOP STRG CTR-ACRYLIC BCK A space-saving storage center that lets tots help themselves to toys—with a clear-view acrylic back that provides complete visibility in the classroom! The super-stable, toddler-height hardwood unit features 5 spacious compartments that offer tons of storage and display options...plus a sturdy tabletop with raised, rounded edges to keep toys contained as little ones play.	
20	AA564	1	FIRST STEPS 6X9 RECT CARPET Bring a calming feel to your classroom with our soft and comfortable carpets—perfect for sitting, crawling, exploring and more! Featuring colors and images inspired by nature, our carpets are made of rugged, soil-resistant nylon.	
30	AA730	1	SUPER-SAFE COLOR BLOCKS These 12 big, baby-safe blocks come in 5 colors coordinated to our Color Blocks Activity Mat, so tots can practice color matching—as they stack and build! Soft foam blocks have a durable vinyl cover; each block measures 5 1/4".	
40	RR417	1	CHILDS VIEW CHNGBLE DISPLY CTR Just looking around...it's the best way for babies to learn about their world! That's why we've made a display window that lets them see and explore their favorite things—at their eye level. Just attach the hardwood frame to the wall, then slip pictures, artwork or photos behind the protective acrylic surface. Poster pack sold separately.	
50	AA860	2	INFANT CHANGER AND STORAGE CTR Make the most of your care center's space...with a changing station and storage center—all in one! Hardwood center has a changing area on top with a wipe-clean vinyl changing pad, a built-in paper dispenser, an adjustable belt...plus 6"-high sides for safety. Below, there's a storage cabinet with childproof safety latches, 2 doors and 12 big cubbies for supplies! Bins sold separately.	
60	LM122	2	SEE-INSIDE BINS - SET OF 12 End the "What's inside?" guessing game with our See-Inside Bins. The bins are ideal for storing toys, manipulatives, supplies—you name it! Each plastic bin measures 16 3/4" x 12 1/4" x 6".	
70	JJ679	1	BIG 12 CUBBIES STORAGE UNIT This roomy unit has 12 giant cubbies—providing plenty of space for children's lunch boxes, backpacks, clothes, artwork and more! Each cubby is 13 1/4" deep and over 13 1/4" high, so there's lots of space for children's biggest items—or for two children to share a cubby!	
80	AA798	1	TODDLER HRDWD TABLE-CHAIRS ST Give little ones the perfect place for playtime, art and more with our table and 2 chairs! The solid birch set features smooth edges and rounded corners for safety—and the tabletop has a wipe-clean surface. Simple assembly. Item consists of	
*81	AA799	1	XTRA TDDL R HRDWD CHAIR-ST OF 2 You get 2 solid birch chairs with smooth edges and rounded corners for safety—plus, the wipe-clean surfaces make cleanups a breeze! Low design and broad legs make these chairs perfect for little ones. Seats measure 8 3/4" high.	

Please initial & date here as approval

*82 AA701

1 [NATURAL TABLE](#)

90 AA252

1 [LITTLE SHOPPERS WOODEN WALKER](#)

Toddlers build confidence and balance with our adorable wooden walker! Featuring smooth edges for safety and wood wheels with rubber tread to grip the floor as little ones learn to walk, the high-quality walker includes a roomy compartment for kids to fill with their favorite items. Walker measures 19"l x 12 1/2"w x 17"h. Play food sold separately.



100 AA933

1 [HEAVY-DUTY TODDLER FIRST KITCHEN](#)

Inspire imaginative play with a kitchen designed just for your littlest learners! Our super-safe, rugged kitchen features smooth, rounded corners and tons of authentic details—from a removable, easy-clean sink with a stainless steel faucet to real-turning knobs and faux burners on the stove. The wipe-clean laminate unit even has 4 roomy shelves on bottom for storing play pots, pans and more—so children can serve up tons of fun! Play dishes and food sold separately.



110 AA280

1 [CLIMB AND PLAY SOFT BLOCKS](#)

Super-safe soft blocks that are light enough for little ones to pick up—yet big enough to climb and play on! Our extra-large blocks are made of durable lightweight foam—so even the youngest children can move them around with ease, developing gross motor skills as they stack and build. Plus, the blocks are covered with smooth, rugged vinyl, so they're a cinch to wipe clean! Set includes 6 different blocks; largest measures 24" in length.



120 LC161

1 [NAVY BLUE 6X9 RECTANGULAR CARPET](#)

These rectangular, extra-plush carpets are made of thick, soil-resistant synthetic fiber that's incredibly cozy—yet rugged enough to withstand the toughest classroom use! Plus, the carpets feature rich, inviting colors that resist fading year after year...with a sturdy, flexible backing that provides superior support—so carpets lie flat.



130 AA692

1 [NO-CLIMB BOOKSTAND](#)

Big enough to display tons of storytime favorites, but low enough to discourage climbing, our wooden bookstand makes it safe and easy for tots to help themselves! Rugged, no-tip stand features 4 angled shelves and sturdy side panels...with smooth edges and safe, rounded corners. Plus, it's just 14" high, so tots can easily grab books from every shelf—without climbing on the stand!



140 LC199

1 [CALMING CLRS PILLOWS-SET OF 5](#)

These soft pillows are filled with squeezable foam and have a wrinkle-resistant, machine-washable cover. You get 5 pillows in the 5 colors shown. Each pillow measures 17" x 17".



150 DD632

1 [30 INCH WALL ADAPTOR](#)

Screw one adaptor into the wall, then use a Connective Furniture Connector to attach a Connective Furniture Panel or Gate to that wall. Includes a guide with hardware recommendations.



160 DD637

1 [30 INCH CONNECTOR](#)

Use one connector to join any two pieces of connective furniture together! Simply select the connector that matches the height of the pieces you're joining.



170 GR290

2 [CLASSROOM-SAFE GLIDER ROCKER](#)

Rock little ones' cares away with a chair designed for maximum comfort, safety and durability! Hardwood chair glides on a covered base that keeps little fingers safe. Plus, the padded armrests each have a handy pouch for books or bottles. Best of all, the seat is 19 3/4" wide to accommodate caregivers of all sizes! The seat cover is machine-washable; the back cushion is surface-washable. Assembly required.



180 CF2025B

4 [SIT-ME-UP - SKY BLUE](#)

With our soft and sturdy support seat, little ones practice sitting up and building muscle control—while viewing the world around them! The inviting U-shaped design has a wide, sturdy base and a firm, comfortable surface to rest on—plus, it's made of easy-to-clean vinyl and designed to last and last!



190 DD615

1 [PLAY-TOP CONNECTIVE STR UNIT](#)

Our convenient storage unit has a low-to-the-ground design and raised edging around the top—creating a toddler-height tabletop that keeps toys contained as children play! Little ones can even use the easy-grip edging to practice standing and cruising. The hardwood storage unit has connecting pegs toward the front and back, so you can attach Connective Furniture Connectors in either position.



200 DD634

1 [18.5 INCH CONNECTOR](#)

Use one connector to join any two pieces of connective furniture together! Simply select the connector that matches the height of the pieces you're joining.



210 DG513

1 [13.5IN HVY-DUTY STACKING CHAIR](#)

Please initial & date here as approval

Tough and comfortable classroom chairs—in a wide range of sizes to seat toddlers through teachers! Our natural-looking, stackable chairs feature solid polypropylene seats that are easy to clean, with ergonomically contoured backs that make them super-comfy. Plus, the extra-sturdy frames are made of indestructible steel that's sure to last through years and years of busy use! Measurements given are for seat heights.

220 AA357 [4 9 INCH TRANSITION CHAIR](#)

Our super-stable hardwood chairs have wide, tip-resistant legs, an adjustable safety belt, plus smooth edges and rounded corners for safety. The chairs are perfectly sized for our Classic Birch Transition Table.

230 RR840 [4 EASY-CLEAN SNAP-ON TRAY](#)

This handy tray turns our Classic Birch Transition Chairs (sold separately) into tot-friendly highchairs in an instant! The durable, wipe-clean plastic tray features an extra-deep lip to catch messes and spills, and it adjusts to fit tots of all sizes. Just snap it right onto our Transition Chairs to create a super-secure highchair! Tray measures 22 1/2" wide. BPA-free.

240 AA356 [1 INFANT-TODDLER TRANSITION TABLE](#)

An ingenious way to transition tots from highchairs to tables! Unique table has 4 curved cutouts modeled just like a highchair tray—so little ones can sit up close for snack time or playtime. Hardwood table has a laminated surface for easy cleanups and seats up to 4 children. Chairs sold separately.

250 AA357 [4 9 INCH TRANSITION CHAIR](#)

Our super-stable hardwood chairs have wide, tip-resistant legs, an adjustable safety belt, plus smooth edges and rounded corners for safety. The chairs are perfectly sized for our Classic Birch Transition Table.

260 AA279 [1 LOOK AT ME BALANCE BAR](#)

Little ones get an up-close view of themselves as they pull to a standing position! Featuring a smooth, sturdy bar and shatterproof mirrors, our hardwood unit provides tots with walking support, a place to play peekaboo and more! There's even a long rectangular mirror at the bottom for babies to explore! Assembly required. Wall-mounting hardware not included.

270 AA729 [1 COLOR BLOCKS ACTIVITY MAT](#)

Our comfy mat gives tots their very own spot to crawl, play and explore! The cushiony-thick, 1" mat features squares in 5 soft, natural colors...and the surface is made of rugged vinyl for years of use—and easy wipe-clean care. Blocks sold separately.

280 CF2025G [2 SIT-ME-UP - SAGE GREEN](#)

With our soft and sturdy support seat, little ones practice sitting up and building muscle control—while viewing the world around them! The inviting U-shaped design has a wide, sturdy base and a firm, comfortable surface to rest on—plus, it's made of easy-to-clean vinyl and designed to last and last!

290 AA250 [1 PLAY AND EXPLORE SENSORY RING](#)

There's tons of fun to go around with our activity-filled sensory ring! It has super-safe, built-in features that curious tots will love to explore and interact with—from chunky links and oversize beads to a chick that "squeaks," a leaf-shaped rattle and more. Simply connect the 2 arches using the hook & loop fastener to create a circular play space...or stand the pieces upright to make crawl-through tunnels. Best of all, each dense foam arch is covered in durable, wipe-clean vinyl for easy care!

300 DD637 [1 30 INCH CONNECTOR](#)

Use one connector to join any two pieces of connective furniture together! Simply select the connector that matches the height of the pieces you're joining.

310 DD642 [2 MEDIUM WAVE PANEL](#)

Our wave panels let you connect lower pieces of furniture to higher pieces—for more design possibilities! The durable panels feature a sturdy maple frame with rounded edges, plus a clear, wipe-clean acrylic center to keep children in easy view.

320 DD627 [1 33X30 INCH STRAIGHT PANEL](#)

Available in two widths and two heights, our straight panels feature solid maple frames with rounded edges—plus see-inside acrylic centers that keep children in view!

330 DD634 [1 18.5 INCH CONNECTOR](#)

Use one connector to join any two pieces of connective furniture together! Simply select the connector that matches the height of the pieces you're joining.

340 DD637 [1 30 INCH CONNECTOR](#)



Please initial & date here as approval

Use one connector to join any two pieces of connective furniture together! Simply select the connector that matches the height of the pieces you're joining.

350 CS463

9 [HEAVY-DUTY SAFETY CRIB](#)

A super-safe, industrial-quality crib—with heavy-duty construction that will last for years! Rugged, fixed-side crib features stationary rails for maximum safety, plus 2 see-through end panels to keep little ones in view. Our smooth hardwood crib has locking casters and a thick, 3" vinyl-covered mattress. Hardware has a lifetime warranty. Assembly required. Crib sheet sold separately.

360 CS467

3 [HEAVY-DUTY EVACUATION CRIB](#)

All the comfort and convenience of a standard crib...with added strength for emergency evacuations! The crib has a hardwood frame with 4 fixed sides for maximum safety, a solid steel base for stability, plus tough, 4" casters to quickly and safely evacuate your nursery. Two casters even lock for security. Crib features acrylic end panels and a 3" vinyl-covered mattress. Hardware has a lifetime warranty. Assembly required. Crib sheet sold separately.

Item consists of

***361 CS466**

3 [CRIB EVACUATION KIT](#)

***362 CS463**

3 [HEAVY-DUTY SAFETY CRIB](#)

A super-safe, industrial-quality crib—with heavy-duty construction that will last for years! Rugged, fixed-side crib features stationary rails for maximum safety, plus 2 see-through end panels to keep little ones in view. Our smooth hardwood crib has locking casters and a thick, 3" vinyl-covered mattress. Hardware has a lifetime warranty. Assembly required. Crib sheet sold separately.

370 DD615

1 [PLAY-TOP CONNECTIVE STR UNIT](#)

Our convenient storage unit has a low-to-the-ground design and raised edging around the top—creating a toddler-height tabletop that keeps toys contained as children play! Little ones can even use the easy-grip edging to practice standing and cruising. The hardwood storage unit has connecting pegs toward the front and back, so you can attach Connective Furniture Connectors in either position.

380 AA392

1 [DOUBLE-DUTY STORAGE CENTER](#)

Our double-sided, low-to-the-ground unit has lots of space for favorite toys...and it's safe enough for curious babies! Hardwood center has 5 roomy cubbies on both sides, with a cruising rail around the top for self-contained play. Plus, tots can use the rail to maintain balance and pull themselves up.

390 DD634

1 [18.5 INCH CONNECTOR](#)

Use one connector to join any two pieces of connective furniture together! Simply select the connector that matches the height of the pieces you're joining.

400 DD641

1 [EXTRA-WIDE SAFETY GATE](#)

Our gates feature a dual-action locking mechanism for ultimate safety. Simply squeeze the latch from top and bottom to unlock...and the gates lock themselves when you close them! Solid maple and acrylic gates rotate a full 360° for convenience.

410 DD625

2 [20X30 INCH STRAIGHT PANEL](#)

Available in two widths and two heights, our straight panels feature solid maple frames with rounded edges—plus see-inside acrylic centers that keep children in view!

420 DD627

1 [33X30 INCH STRAIGHT PANEL](#)

Available in two widths and two heights, our straight panels feature solid maple frames with rounded edges—plus see-inside acrylic centers that keep children in view!

430 DD642

1 [MEDIUM WAVE PANEL](#)

Our wave panels let you connect lower pieces of furniture to higher pieces—for more design possibilities! The durable panels feature a sturdy maple frame with rounded edges, plus a clear, wipe-clean acrylic center to keep children in easy view.

440 DD637

4 [30 INCH CONNECTOR](#)

Use one connector to join any two pieces of connective furniture together! Simply select the connector that matches the height of the pieces you're joining.

450 DG123

1 [TODDLER H-D HARDWOOD EASEL](#)



Please initial & date here as approval

Our rugged hardwood easel was built to endure years of use! Perfect with our Newsprint Easel Paper or any paper, the easel also has 2 big write & wipe surfaces—so when kids aren't painting, they can draw with write & wipe markers. The easel features no-slip legs and 4 easel clips to hold artwork in place...plus handy trays that each hold 6 paint cups. Easy assembly. Accessories sold separately.



460 DG241 [1 HEAVY-DUTY TODDLER STORAGE UNIT](#)
Convenient storage that's perfectly sized for your classroom! Our sturdy unit gives children easy access to tons of toys and classroom materials—with 5 spacious, divided compartments at just the right height for toddlers. The rugged unit also features wipe-clean laminate surfaces, plus rounded corners with protective edgebands for safety.



470 HH672 [1 COLORS OF NATURE CRPT FOR 20](#)
Add a calming, natural touch to any classroom space—with soft, plush carpets that are inspired by nature! Each carpet features big, bold leaves that provide organized student seating...and they're made of soil-resistant nylon with heavy-duty binding for years of classroom use.



480 RR417 [1 CHILDS VIEW CHNGBLE DISPLY CTR](#)
Just looking around...it's the best way for babies to learn about their world! That's why we've made a display window that lets them see and explore their favorite things—at their eye level. Just attach the hardwood frame to the wall, then slip pictures, artwork or photos behind the protective acrylic surface. Poster pack sold separately.



490 DG241 [1 HEAVY-DUTY TODDLER STORAGE UNIT](#)
Convenient storage that's perfectly sized for your classroom! Our sturdy unit gives children easy access to tons of toys and classroom materials—with 5 spacious, divided compartments at just the right height for toddlers. The rugged unit also features wipe-clean laminate surfaces, plus rounded corners with protective edgebands for safety.



500 HH721 [1 TODDLER DOLLHOUSE W-SOFT FURN](#)
At last! A toddler-safe wooden dollhouse designed just for little ones! Wide, open layout makes it easy for several tots to enjoy at once...helping to develop toddler milestones, including fantasy play and taking turns. Dollhouse comes with 5 chunky, soft-stuffed furniture pieces little hands can safely grab and squeeze—all covered in wipe-clean vinyl. Our Soft & Safe Families (sold separately) are sized to move right in!



510 HH447 [1 STORE-IT-ALL WALL UNIT](#)
Store supplies away from small hands, but within easy reach of caregivers! Our super-strong birch unit has 8 cubbies and 5 storage compartments underneath—perfect for keeping diaper-changing supplies right at your fingertips. Plus, there's a dispenser for a Roll of Bags (sold separately)...and a lip around the sides and back so items won't roll off! The easy-to-mount unit comes complete with hardware for hanging.



520 AA380 [2 STEP UP TODDLER CHANGING TABLE](#)
Our state-of-the-art table lets tots step right up, so you never have to lift them! The hardwood unit has sturdy stairs that you pull out with your hand or foot and tuck away behind a door. Stairs glide easily on runners and lock for security. The table also features sides that are 6" above the changing surface for maximum safety and 2 built-in storage shelves behind the cabinet doors. The doors even have safety latches for added security! Table features an easy-clean melamine changing surface and comes with a wipe-clean vinyl pad. Paper roll sold separately.
We are shipping AA380 as new & improved version for item AA490 .



Item consists of
***521 AA380CT** [2 STEP ON UP TODDLER CHANGE TBLE](#)

***522 AP303** [2 EXTRA TODDLER CHANGING PAD](#)
Sized to fit our Step On Up! Toddler Changing Table, this extra changing pad measures 1" thick and features a wipe-clean vinyl surface. Pad measures 23" x 41 1/2".



530 DG238 [3 HEAVY-DUTY COAT LOCKER FOR 8](#)
Our classroom-friendly storage lockers make it easy for children to put their belongings away—independently! The heavy-duty unit features 4 easy-access lockers that are just the right height for students...with rounded hooks on both sides—so up to 8 children can easily store their own coats, backpacks and more. Plus, the 8 cubbies are great alone or with our See-Inside Cubby Bins (sold separately)—providing the perfect place for boots, books and lunches. The rugged laminate unit has kid-friendly rounded corners.



540 LM129 [3 SEE-INSIDE CUBBY BINS-SET OF 8](#)
Our sturdy plastic bins with handles are ideal for shoes, lunch boxes and more! Each bin measures 9 1/8" x 11" x 6 3/4" high.
Item consists of



***541 LM101** [24 SEE INSIDE CUBBY BIN](#)

550 HH281 [1 EARLY YEARS BALL TOSS](#)

Please initial & date here as approval

Our oversized hoop and net guarantee throwing success! The hoop's large size makes it easy for children to hit the target—and is ideal for use with balls up to 13". It also has a super-stable, tip-resistant metal base, plus a rugged net for years of active play. Hoop measures 19 1/2" across; assembled item measures 26 1/4"w x 25"d x 25 1/2"h. Easy assembly. Activity balls sold separately.



560 AA321

[1 TODDLER DRESS-UP CENTER](#)

Our hardwood dress-up center lets tots help themselves to favorite outfits and accessories—and put them away when they're done! Toddler-height center has an open "closet" area with 6 safe rounded knobs that keep outfits in easy reach, and 2 handy shelves for shoes, hats and other hard-to-store items. Plus, there's a full-length, shatterproof mirror built in, so tots can get a head-to-toe look at their costumes!



570 LC115

[1 6FT FOREST GREEN ROUND CARPET](#)

These round, extra-plush carpets are made of thick, soil-resistant synthetic fiber that's incredibly cozy—yet rugged enough to withstand the toughest classroom use! Plus, the carpets feature rich, inviting colors that resist fading year after year...with a sturdy, flexible backing that provides superior support—so carpets lie flat.



580 DG509

[2 9.5IN HEAVY-DUTY STACKING CHAIR](#)

Tough and comfortable classroom chairs—in a wide range of sizes to seat toddlers through teachers! Our natural-looking, stackable chairs feature solid polypropylene seats that are easy to clean, with ergonomically contoured backs that make them super-comfy. Plus, the extra-sturdy frames are made of indestructible steel that's sure to last through years and years of busy use! Measurements given are for seat heights.



590 AA909

[1 30IN RND HVY-DUTY TODDLR TBL](#)

Our heavy-duty adjustable tables combine the timeless appeal of wood with the durability of laminate! Each table has toddler-friendly touches like vinyl edging, plus a thick, 1 1/4" tabletop that wipes clean and resists scratches and stains—with rugged laminate on both the surface and underside for added strength. Sturdy steel legs adjust to the perfect height and come with tough nylon tips to protect floors! Easy assembly. Chairs sold separately.



Item consists of

***591 DGL1524**

[1 NAT. 15X24IN TABLE LEGS](#)

***592 HDT30WM**

[1 30IN HVY DTY ROUND TABLE](#)

600 DG241

[1 HEAVY-DUTY TODDLER STORAGE UNIT](#)

Convenient storage that's perfectly sized for your classroom! Our sturdy unit gives children easy access to tons of toys and classroom materials—with 5 spacious, divided compartments at just the right height for toddlers. The rugged unit also features wipe-clean laminate surfaces, plus rounded corners with protective edgebands for safety.



610 AA210

[1 ALL-IN-ONE TODDLER KITCHEN](#)

It's a stove, sink, pantry and refrigerator—all in one space-saving unit! Our kitchen has tons of realistic details to inspire imaginative play...from real-turning knobs to a plexiglas oven window so kids can peek at what's "cooking" inside! There's even plenty of storage space for play food and dishes! Play food and dishes sold separately.



620 LC429

[1 STAND 4 TODDLR HOUSECLEAN SET](#)

Store our Toddler Housecleaning Set neatly and easily in this handy wood stand. Stand measures approximately 15" tall. Simple assembly.



630 LC129

[1 TODDLER HOUSECLEANING SET](#)

Toddlers can help tidy up, too—with 4 safe and sturdy housecleaning tools! Our push broom, long-bristle broom, mop and hand brush have smooth wood handles...and are sized just right for tots! Long-bristle broom measures 30 3/8" long. Stand sold separately.



640 EE558

[1 LAKESHORE HARDWOOD DOLL CRIB](#)

Our sturdy hardwood crib keeps children's dolls safe and snug! Beautifully crafted crib features smooth, rounded edges and a classroom-tough design. Doll crib measures 22"w x 13 1/4"d x 12 1/2"h; fits dolls up to 18" in length. Doll and bedding set sold separately.



650 TT788

[1 DOLL BEDDING SET](#)

Machine-washable set includes a mattress, quilt, sheet and pillow—all perfect for the Lakeshore Hardwood Doll Crib.



660 RR690

[1 TODDLER SOFT-SAFE TREE SEATS](#)

Children will love to explore our versatile seats...featuring a delightful design inspired by nature! Each seat is made of soft and dense foam that little ones can sit on—or even use for balance as they crawl, climb and pull themselves up to practice standing! Plus, the seats are covered in easy-clean vinyl and come in 3 different heights that are perfect for all ages to enjoy! Set of 3 seats.



670 AA659

[1 LAKESHORE TODDLER LOFT](#)

Please initial & date here as approval

The more tots move on our muscle-building loft, the more they discover! Our wooden loft gives toddlers the space they need to exercise their growing bodies—boosting coordination and gross motor control. Soft carpeted surfaces encourage little ones to crawl up and down a gentle ramp, climb on the graduated steps or explore a roomy platform where they can see themselves in the baby-safe mirror. There are even peekaboo portholes, plus rounded edges that support tots as they start to stand and cruise! Assembly required.

***671 AA659-1** [1 BX 1 OF 3-PANELS FOR AA659](#)

***672 AA659-2** [1 BX 2 OF 3-PLATFORM FOR AA659](#)

***673 AA659-3** [1 BX 3 OF 3-RAMP FOR AA659](#)

680 LC112 [1 FOREST GRN 4X6 RECT CARPET](#)

These rectangular, extra-plush carpets are made of thick, soil-resistant synthetic fiber that's incredibly cozy—yet rugged enough to withstand the toughest classroom use! Plus, the carpets feature rich, inviting colors that resist fading year after year...with a sturdy, flexible backing that provides superior support—so carpets lie flat.

690 LC121 [1 FOREST GRN 6X9 RECT CARPET](#)

These rectangular, extra-plush carpets are made of thick, soil-resistant synthetic fiber that's incredibly cozy—yet rugged enough to withstand the toughest classroom use! Plus, the carpets feature rich, inviting colors that resist fading year after year...with a sturdy, flexible backing that provides superior support—so carpets lie flat.

700 DG115 [1 HEAVY-DUTY NO CLIMB BOOKSTAND](#)

Our super-sturdy bookstand has storage for tons of board books...and a low-to-the-ground design that discourages little ones from climbing! Made of durable laminate, the rugged, no-tip stand features 4 open shelves and sturdy side panels with smooth edges and safe, rounded corners. Plus, the open design makes it easy for tots to help themselves to books!

710 AA241 [1 TODDLER TREEHOUSE HIDEAWAY](#)

Our sturdy birch cube will be every child's favorite place to relax, enjoy a good book and more! Our durable unit is sized for 1-2 toddlers...and features safe, rounded corners and an inviting design that provides plenty of privacy—while still keeping tots in caregivers' view! Plus, we've included a comfy vinyl mat that pops in and out in a snap—so it's super-easy to wipe clean! Assembly required.

Item consists of

***711 AA241-1** [1 BOX 1 OF 2 FOR AA241](#)

***712 AA241-2** [1 BOX 2 OF 2 FOR AA241](#)

720 LC255 [1 INDOOR-OUTDOOR FLOOR SEATS](#)

Comfy enough for indoor use...yet rugged enough for the outdoors! Featuring an inviting leaf design, our durable, all-weather floor seats provide the perfect spot for children to sit and relax. Set includes 4 dense foam seats, each with a fade- and water-resistant cover that removes for machine-washing. Item consists of

***721 LC237** [4 INDOOR-OUTDOOR FLOOR SEATS](#)

730 AA818SB [2 TODDLR PREM BNBG SEAT-SKY BLUE](#)

Our beanbag seats conform to baby's sitting position...so even as tots wiggle and move, they'll always find a comfy spot! Each beanbag seat has an easy-clean vinyl cover, double-stitched seams for durability, plus a stitch-closed zipper that keeps the polystyrene beads inside.

740 DG234 [1 HVY-DTY DBL-SIDED TODDLER UNIT](#)

This heavy-duty unit features convenient, easy-access storage on both sides—and it's just the right height for toddlers to help themselves to toys and supplies! The unit has big, open storage compartments with plenty of space for classroom materials in a wide variety of sizes...plus safe rounded corners and durable laminate surfaces that are a breeze to wipe clean.

750 AA911 [1 LAKESHORE TODDLER COT CARRIER](#)

Transporting cots is easy with our durable cot carrier! The carrier has 4 big, locking casters that roll with ease...and the sturdy metal frame can support up to 15 of our Toddler Cots.

760 AA919 [2 HEAVY-DUTY TODDLER COT](#)

Our sturdy, tip-proof cot is built to withstand years and years of classroom use! The durable, lightweight cot has a moisture-resistant, wipe-clean cover made of stretch-resistant, 300-denier polyester—with heat-sealed seams to prevent tearing and fraying. Plus, it has a strong steel frame with rounded polypropylene corners and edges for added safety. Multiple cots stack for easy storage. Cot carrier sold separately.

770 AA920 [3 HVY-DUTY TODDLER COT-ST OF 5](#)

Our sturdy, tip-proof cot is built to withstand years and years of classroom use! The durable, lightweight cot has a moisture-resistant, wipe-clean cover made of stretch-resistant, 300-denier polyester—with heat-sealed seams to prevent tearing and fraying. Plus, it has a strong steel frame with rounded polypropylene corners and edges for added safety. Multiple cots stack for easy storage. Cot carrier sold separately.

Item consists of



***771 AA919**

15 [HEAVY-DUTY TODDLER COT](#)

Our sturdy, tip-proof cot is built to withstand years and years of classroom use! The durable, lightweight cot has a moisture-resistant, wipe-clean cover made of stretch-resistant, 300-denier polyester—with heat-sealed seams to prevent tearing and fraying. Plus, it has a strong steel frame with rounded polypropylene corners and edges for added safety. Multiple cots stack for easy storage. Cot carrier sold separately.

780 LC984

1 [TODDLER 2-STATN S-W TBL-NATRL](#)

Designed in calming natural tones, our rugged plastic table has tons of great features! Simply fill one side with sand and the other with water—so kids can make even more exciting discoveries as they play with both materials at the same time. Our table features 2 roomy tubs, easy-drain plugs, a handy top and a removable plastic liner for easy cleaning. Easy assembly.

790 DG509

12 [9.5IN HEAVY-DUTY STACKNG CHAIR](#)

Tough and comfortable classroom chairs—in a wide range of sizes to seat toddlers through teachers! Our natural-looking, stackable chairs feature solid polypropylene seats that are easy to clean, with ergonomically contoured backs that make them super-comfy. Plus, the extra-sturdy frames are made of indestructible steel that's sure to last through years and years of busy use! Measurements given are for seat heights.

800 DG515

2 [15.5IN HVY-DUTY STACKING CHAIR](#)

Tough and comfortable classroom chairs—in a wide range of sizes to seat toddlers through teachers! Our natural-looking, stackable chairs feature solid polypropylene seats that are easy to clean, with ergonomically contoured backs that make them super-comfy. Plus, the extra-sturdy frames are made of indestructible steel that's sure to last through years and years of busy use! Measurements given are for seat heights.

810 DG148

2 [LOW 30X60IN HVY-DUTY RECT TABL](#)

Our heavy-duty tables combine the timeless appeal of wood with the durability of laminate! Each table has kid-friendly details like rounded corners and vinyl edging, plus a thick, 1 1/4" tabletop that wipes clean and resists scratches and stains—with rugged laminate on both the surface and underside for added strength. The super-sturdy steel legs adjust to the perfect height...and come with tough nylon tips to protect floors! Easy assembly. Chairs sold separately.

Item consists of

***811 DGL1524**

2 [NAT. 15X24IN TABLE LEGS](#)

***812 HDT3060M**

2 [30X60 HD RECTANGULAR TABLETOP](#)

820 EE149

1 [TDLR PAINT CTR FOR 4-NATURAL](#)

Our versatile easel has clear-view painting areas on all 4 sides, so up to 4 toddlers can paint at once! Just attach paper—like our Newsprint Easel Paper—using the easel clips, or let little ones paint right on the wipe-clean surfaces. The center comes complete with 4 clip-on trays for supplies, 16 easel clips and 2 sturdy dowels that attach inside the center for an instant drying rack! Easy assembly. Accessories sold separately.

830 DG241

1 [HEAVY-DUTY TODDLER STORGE UNIT](#)

Convenient storage that's perfectly sized for your classroom! Our sturdy unit gives children easy access to tons of toys and classroom materials—with 5 spacious, divided compartments at just the right height for toddlers. The rugged unit also features wipe-clean laminate surfaces, plus rounded corners with protective edgebands for safety.

840 GG442

1 [PLAY-LEARN NATURE CARPET 6X9](#)

Our inviting carpets provide the perfect place for children to explore letters and numbers! Featuring soothing colors and a nature-inspired theme, each classroom-tough carpet comes with an activity guide that helps kids build skills as they engage with the alphabet border, numbered lily pads and more. The 6' x 9' carpet is perfect for reading corners and small-group learning. The 9' x 12' carpet works great with the entire class! These heavy-duty carpets are stain-resistant, with binding that lasts.

850 RR417

1 [CHILDS VIEW CHNGBLE DISPLY CTR](#)

Just looking around...it's the best way for babies to learn about their world! That's why we've made a display window that lets them see and explore their favorite things—at their eye level. Just attach the hardwood frame to the wall, then slip pictures, artwork or photos behind the protective acrylic surface. Poster pack sold separately.

860 DG234

1 [HVY-DTY DBL-SIDED TODDLER UNIT](#)

This heavy-duty unit features convenient, easy-access storage on both sides—and it's just the right height for toddlers to help themselves to toys and supplies! The unit has big, open storage compartments with plenty of space for classroom materials in a wide variety of sizes...plus safe rounded corners and durable laminate surfaces that are a breeze to wipe clean.

870 HH721

1 [TODDLER DOLLHOUSE W-SOFT FURN](#)

At last! A toddler-safe wooden dollhouse designed just for little ones! Wide, open layout makes it easy for several tots to enjoy at once...helping to develop toddler milestones, including fantasy play and taking turns. Dollhouse comes with 5 chunky, soft-stuffed furniture pieces little hands can safely grab and squeeze—all covered in wipe-clean vinyl. Our Soft & Safe Families (sold separately) are sized to move right in!

880 LC965

1 [SENSORY HIDEAWAY](#)

Our cozy hardwood hideaway is a private space to sit, relax...and explore light and texture! Kids touch and feel 6 built-in sensory disks...discover their reflections in 2 shatterproof mirrors...and peek through 6 circular windows. Plus, light shines through 5 acrylic roof panels, creating a bright rainbow of colors inside! Assembly required. Cushion sold separately.

890 LC966

1 [SENSORY HIDEAWAY CUSHION](#)



Please initial & date here as approval

This soft cushion makes our Sensory Hideaway extra-comfy! Wipe-clean vinyl cushion measures 28 1/2" x 30".



900 DG238

3 [HEAVY-DUTY COAT LOCKER FOR 8](#)

Our classroom-friendly storage lockers make it easy for children to put their belongings away—independently! The heavy-duty unit features 4 easy-access lockers that are just the right height for students...with rounded hooks on both sides—so up to 8 children can easily store their own coats, backpacks and more. Plus, the 8 cubbies are great alone or with our See-Inside Cubby Bins (sold separately)—providing the perfect place for boots, books and lunches. The rugged laminate unit has kid-friendly rounded corners.



910 LM129

3 [SEE-INSIDE CUBBY BINS-SET OF 8](#)

Our sturdy plastic bins with handles are ideal for shoes, lunch boxes and more! Each bin measures 9 1/8" x 11" x 6 3/4" high. Item consists of



***911 LM101**

24 [SEE INSIDE CUBBY BIN](#)

920 HH281

1 [EARLY YEARS BALL TOSS](#)

Our oversized hoop and net guarantee throwing success! The hoop's large size makes it easy for children to hit the target—and is ideal for use with balls up to 13". It also has a super-stable, tip-resistant metal base, plus a rugged net for years of active play. Hoop measures 19 1/2" across; assembled item measures 26 1/4"w x 25"d x 25 1/2"h. Easy assembly. Activity balls sold separately.



930 AA803

1 [PLAY-EXPLOR CLR CHNG LIGHT CTR](#)

Our super-sturdy light center creates a safe and inviting space where little ones can build with blocks, explore color and light, and more! The wooden center features a heavy-duty acrylic panel with a beveled edge—plus a big, LED-illuminated surface that displays 4 vibrant colors...and stays cool to the touch even after extended use. The plug-in unit also comes with an easy-to-use remote control that allows teachers to change or dim the colors at the touch of a button! Accessories sold separately.



940 AA285X

1 [TODDLER HARDWD KITCHEN SET](#)

A super-realistic hardwood kitchen designed just like the grown-ups'...but built especially for toddlers! Our set features 3 safe and stable units with lots of tot-friendly details—including chunky knobs that are easy for little ones to grasp and turn...a clear-view acrylic oven window that lets young chefs see what's "cooking"...and a wide, double-door design on the refrigerator! You get all 3 units shown (play food and dishes not included). Each unit also available separately.



We are shipping AA285X as new & improved version for item AA700X .

Item consists of

***941 AA287**

1 [TODDLER HARDWOOD REFRIGERATOR](#)

A super-realistic hardwood refrigerator designed just like the grown-ups'...but built especially for toddlers! This safe and stable refrigerator has lots of tot-friendly details—including chunky handles that are easy for little ones to grasp, plus a wide double-door design! Play food sold separately.



***942 AA288**

1 [TODDLER HARDWOOD KITCHEN SINK](#)

A super-realistic hardwood sink designed just like the grown-ups'...but built especially for toddlers! This safe and stable sink has lots of tot-friendly details—including chunky handles and knobs that are easy for little ones to grasp and turn! Play dishes sold separately.



***943 AA289**

1 [TODDLER HARDWOOD STOVE](#)

A super-realistic hardwood stove designed just like the grown-ups'...but built especially for toddlers! This safe and stable stove has lots of tot-friendly details, including knobs that really turn and an oven with a chunky handle that makes it easy to open and close. There's even a clear-view acrylic oven window that lets young chefs see what's "cooking"! Play pots and pans sold separately.



950 AA321

1 [TODDLER DRESS-UP CENTER](#)

Our hardwood dress-up center lets tots help themselves to favorite outfits and accessories—and put them away when they're done! Toddler-height center has an open "closet" area with 6 safe rounded knobs that keep outfits in easy reach, and 2 handy shelves for shoes, hats and other hard-to-store items. Plus, there's a full-length, shatterproof mirror built in, so tots can get a head-to-toe look at their costumes!



960 LC118

1 [6FT NAVY BLUE ROUND CARPET](#)

These round, extra-plush carpets are made of thick, soil-resistant synthetic fiber that's incredibly cozy—yet rugged enough to withstand the toughest classroom use! Plus, the carpets feature rich, inviting colors that resist fading year after year...with a sturdy, flexible backing that provides superior support—so carpets lie flat.



970 DG509

2 [9.5IN HEAVY-DUTY STACKING CHAIR](#)

Tough and comfortable classroom chairs—in a wide range of sizes to seat toddlers through teachers! Our natural-looking, stackable chairs feature solid polypropylene seats that are easy to clean, with ergonomically contoured backs that make them super-comfy. Plus, the extra-sturdy frames are made of indestructible steel that's sure to last through years and years of busy use! Measurements given are for seat heights.



980 AA252

1 [LITTLE SHOPPERS WOODEN WALKER](#)

Toddlers build confidence and balance with our adorable wooden walker! Featuring smooth edges for safety and wood wheels with rubber tread to grip the floor as little ones learn to walk, the high-quality walker includes a roomy compartment for kids to fill with their favorite items. Walker measures 19"l x 12 1/2"w x 17"h. Play food sold separately.



990 AA909

1 [30IN RND HVY-DUTY TODDLR TBL](#)

Our heavy-duty adjustable tables combine the timeless appeal of wood with the durability of laminate! Each table has toddler-friendly touches like vinyl edging, plus a thick, 1 1/4" tabletop that wipes clean and resists scratches and stains—with rugged laminate on both the surface and underside for added strength. Sturdy steel legs adjust to the perfect height and come with tough nylon tips to protect floors! Easy assembly. Chairs sold separately.



Item consists of

***991 DGL1524**

1 [NAT. 15X24IN TABLE LEGS](#)

***992 HDT30WM**

1 [30IN HVY DTY ROUND TABLE](#)

1000 DG241

1 [HEAVY-DUTY TODDLER STORGE UNIT](#)

Convenient storage that's perfectly sized for your classroom! Our sturdy unit gives children easy access to tons of toys and classroom materials—with 5 spacious, divided compartments at just the right height for toddlers. The rugged unit also features wipe-clean laminate surfaces, plus rounded corners with protective edgebands for safety.



1010 EE558

1 [LAKESHORE HARDWOOD DOLL CRIB](#)

Our sturdy hardwood crib keeps children's dolls safe and snug! Beautifully crafted crib features smooth, rounded edges and a classroom-tough design. Doll crib measures 22"w x 13 1/4"d x 12 1/2"h; fits dolls up to 18" in length. Doll and bedding set sold separately.



1020 TT788

1 [DOLL BEDDING SET](#)

Machine-washable set includes a mattress, quilt, sheet and pillow—all perfect for the Lakeshore Hardwood Doll Crib.



1030 LC161

1 [NAVY BLUE 6X9 RECTANGLR CARPET](#)

These rectangular, extra-plush carpets are made of thick, soil-resistant synthetic fiber that's incredibly cozy—yet rugged enough to withstand the toughest classroom use! Plus, the carpets feature rich, inviting colors that resist fading year after year...with a sturdy, flexible backing that provides superior support—so carpets lie flat.



1040 LC255

1 [INDOOR-OUTDOOR FLOOR SEATS](#)

Comfy enough for indoor use...yet rugged enough for the outdoors! Featuring an inviting leaf design, our durable, all-weather floor seats provide the perfect spot for children to sit and relax. Set includes 4 dense foam seats, each with a fade- and water-resistant cover that removes for machine-washing.

Item consists of

***1041 LC237**

4 [INDOOR-OUTDOOR FLOOR SEATS](#)



1050 LC118

1 [6FT NAVY BLUE ROUND CARPET](#)

These round, extra-plush carpets are made of thick, soil-resistant synthetic fiber that's incredibly cozy—yet rugged enough to withstand the toughest classroom use! Plus, the carpets feature rich, inviting colors that resist fading year after year...with a sturdy, flexible backing that provides superior support—so carpets lie flat.



1060 AA280

1 [CLIMB AND PLAY SOFT BLOCKS](#)

Super-safe soft blocks that are light enough for little ones to pick up—yet big enough to climb and play on! Our extra-large blocks are made of durable lightweight foam—so even the youngest children can move them around with ease, developing gross motor skills as they stack and build. Plus, the blocks are covered with smooth, rugged vinyl, so they're a cinch to wipe clean! Set includes 6 different blocks; largest measures 24" in length.



1070 LC161

1 [NAVY BLUE 6X9 RECTANGLR CARPET](#)

These rectangular, extra-plush carpets are made of thick, soil-resistant synthetic fiber that's incredibly cozy—yet rugged enough to withstand the toughest classroom use! Plus, the carpets feature rich, inviting colors that resist fading year after year...with a sturdy, flexible backing that provides superior support—so carpets lie flat.



1080 AA934

1 [HEAVY DTY TODDLR CALMING NOOK](#)

Designed especially for little ones, our calming nook provides an inviting space for toddlers to explore books and toys—or simply enjoy some quiet time! The airy nook features a large opening in front and 2 side windows to keep children in view and includes a wipe-clean vinyl cushion for added comfort. Durable laminate nook has safe, rounded edges.

Item consists of

***1081 AA934-1**

1 [H-D TODDLER CALMING NOOK](#)

***1082 AA934-2**

1 [H-D TODDLER CALMING NOOK MAT](#)



1090 DG115

1 [HEAVY-DUTY NO CLIMB BOOKSTAND](#)

Please initial & date here as approval

Our super-sturdy bookstand has storage for tons of board books...and a low-to-the-ground design that discourages little ones from climbing! Made of durable laminate, the rugged, no-tip stand features 4 open shelves and sturdy side panels with smooth edges and safe, rounded corners. Plus, the open design makes it easy for tots to help themselves to books!



1100 FF645

1 [CMFY COUCH FOR TDLR-DARK BRN](#)

Our toddler-sized couch features all the comforts of cozy living room furniture—with heavy-duty construction that’s made to last & last! Couch is low to the ground with a durable wooden frame and soft foam padding...plus a brown vinyl exterior that easily wipes clean.



1110 FF647

1 [CMFY CHAIR FOR TDLR-DARK BRN](#)

Our toddler-sized chair features all the comforts of cozy living room furniture—with heavy-duty construction that’s made to last & last! Chair is low to the ground with a durable wooden frame and soft foam padding...plus a brown vinyl exterior that easily wipes clean.



1120 LC199

1 [CALMING CLRS PILLOWS-SET OF 5](#)

These soft pillows are filled with squeezable foam and have a wrinkle-resistant, machine-washable cover. You get 5 pillows in the 5 colors shown. Each pillow measures 17" x 17".



1130 DG234

1 [HVY-DTY DBL-SIDED TODDLER UNIT](#)

This heavy-duty unit features convenient, easy-access storage on both sides—and it’s just the right height for toddlers to help themselves to toys and supplies! The unit has big, open storage compartments with plenty of space for classroom materials in a wide variety of sizes...plus safe rounded corners and durable laminate surfaces that are a breeze to wipe clean.



1140 AA911

1 [LAKESHORE TODDLER COT CARRIER](#)

Transporting cots is easy with our durable cot carrier! The carrier has 4 big, locking casters that roll with ease...and the sturdy metal frame can support up to 15 of our Toddler Cots.



1150 AA919

2 [HEAVY-DUTY TODDLER COT](#)

Our sturdy, tip-proof cot is built to withstand years and years of classroom use! The durable, lightweight cot has a moisture-resistant, wipe-clean cover made of stretch-resistant, 300-denier polyester—with heat-sealed seams to prevent tearing and fraying. Plus, it has a strong steel frame with rounded polypropylene corners and edges for added safety. Multiple cots stack for easy storage. Cot carrier sold separately.



1160 AA920

3 [HVY-DUTY TODDLER COT-ST OF 5](#)

Our sturdy, tip-proof cot is built to withstand years and years of classroom use! The durable, lightweight cot has a moisture-resistant, wipe-clean cover made of stretch-resistant, 300-denier polyester—with heat-sealed seams to prevent tearing and fraying. Plus, it has a strong steel frame with rounded polypropylene corners and edges for added safety. Multiple cots stack for easy storage. Cot carrier sold separately.



Item consists of

***1161 AA919**

15 [HEAVY-DUTY TODDLER COT](#)

Our sturdy, tip-proof cot is built to withstand years and years of classroom use! The durable, lightweight cot has a moisture-resistant, wipe-clean cover made of stretch-resistant, 300-denier polyester—with heat-sealed seams to prevent tearing and fraying. Plus, it has a strong steel frame with rounded polypropylene corners and edges for added safety. Multiple cots stack for easy storage. Cot carrier sold separately.



1170 LC984

1 [TODDLER 2-STATN S-W TBL-NATRL](#)

Designed in calming natural tones, our rugged plastic table has tons of great features! Simply fill one side with sand and the other with water—so kids can make even more exciting discoveries as they play with both materials at the same time. Our table features 2 roomy tubs, easy-drain plugs, a handy top and a removable plastic liner for easy cleaning. Easy assembly.



1180 DG241

1 [HEAVY-DUTY TODDLER STORGE UNIT](#)

Convenient storage that’s perfectly sized for your classroom! Our sturdy unit gives children easy access to tons of toys and classroom materials—with 5 spacious, divided compartments at just the right height for toddlers. The rugged unit also features wipe-clean laminate surfaces, plus rounded corners with protective edgebands for safety.



1190 DG509

12 [9.5IN HEAVY-DUTY STACKNG CHAIR](#)

Tough and comfortable classroom chairs—in a wide range of sizes to seat toddlers through teachers! Our natural-looking, stackable chairs feature solid polypropylene seats that are easy to clean, with ergonomically contoured backs that make them super-comfy. Plus, the extra-sturdy frames are made of indestructible steel that’s sure to last through years and years of busy use! Measurements given are for seat heights.



1200 DG515

2 [15.5IN HVY-DUTY STACKING CHAIR](#)

Tough and comfortable classroom chairs—in a wide range of sizes to seat toddlers through teachers! Our natural-looking, stackable chairs feature solid polypropylene seats that are easy to clean, with ergonomically contoured backs that make them super-comfy. Plus, the extra-sturdy frames are made of indestructible steel that’s sure to last through years and years of busy use! Measurements given are for seat heights.



1210 DG148

2 [LOW 30X60IN HVY-DUTY RECT TABL](#)

Please initial & date here as approval

Our heavy-duty tables combine the timeless appeal of wood with the durability of laminate! Each table has kid-friendly details like rounded corners and vinyl edging, plus a thick, 1 1/4" tabletop that wipes clean and resists scratches and stains—with rugged laminate on both the surface and underside for added strength. The super-sturdy steel legs adjust to the perfect height...and come with tough nylon tips to protect floors! Easy assembly. Chairs sold separately.

Item consists of

***1211 DGL1524** [2 NAT. 15X24IN TABLE LEGS](#)

***1212 HDT3060M** [2 30X60 HD RECTANGULAR TABLETOP](#)

1220 LA949 [1 LAKESHORE H-D HARDWOOD EASEL](#)

Our rugged hardwood easel was built to endure years of use! The heavy-duty easel features 2 painting surfaces made of durable write & wipe material—so when children aren't painting, the boards can be used for drawing with write & wipe markers! Sized just right for use with our Newsprint Easel Paper, the easel features 4 easel clips—plus paint trays that hold up to 12 paint cups and can be adjusted to 3 heights. Easel features no-slip leg tips. Easy assembly. Accessories sold separately.

1230 LK231 [1 FLX-SPC JR MBL PRESCHL STORAGE](#)

With 2 rows of storage compartments at just the right height for preschoolers, our mobile unit lets you keep materials neat and organized—and roll them right where you need them! The rugged unit has a full-steel frame for maximum stability and strength and rounded edges for safety, plus extra-deep, easy-access shelves to hold a wide variety of items. The durable, wipe-clean laminate unit features four heavy-duty 4" locking casters that fully rotate, so the unit is a breeze to move for cleaning or rearranging your classroom.

1240 GG358 [1 BLUE CLASSROOM CRPT FOR 30](#)

Our inviting carpets give kids a special spot to sit and play! Kids just find a dot and get cozy—and they're ready for activities, storytime, games and more! Made of classroom-tough nylon for durability.

1250 RR417 [1 CHILDS VIEW CHNGBLE DISPLY CTR](#)

Just looking around...it's the best way for babies to learn about their world! That's why we've made a display window that lets them see and explore their favorite things—at their eye level. Just attach the hardwood frame to the wall, then slip pictures, artwork or photos behind the protective acrylic surface. Poster pack sold separately.

1260 LK252 [1 COMFY NESTING BENCHES](#)

Use our versatile benches in endless configurations as tables or for seating...then nest them together for storage to save valuable classroom space! Sized for early learners, the cozy, foam-covered benches include high-density padding on top for superior comfort. Plus, there are heavy-duty steel supports on the inside for long-lasting durability and a tough vinyl exterior that's a breeze to wipe clean. The benches even feature leveling feet that adjust for stability on any surface. Set includes 3 benches in 3 sizes.

1270 LK227 [1 FLX-SPC JR MBL CUBBIES-SHELVS](#)

Organize and store a variety of classroom essentials—large, small and everything in between! Our mobile unit has 2 big shelves that are both deep and wide, so you can easily fit oversized and hard-to-store materials. Plus, the 6 handy cubbies are perfect for smaller items—with or without our Clear-View Bins (sold separately). The easy-care, wipe-clean laminate unit also features a full-steel frame for maximum stability and strength...rounded edges for safety...and four heavy-duty 4" locking casters for convenient mobility anywhere you need it.

1280 LK126 [1 FLX-SPC JR CLEAR BINS- SET 6](#)

Set includes 6 roomy, see-inside plastic bins—perfectly sized for the extra-deep cubbies in our Flex-Space Jr.® Mobile Cubbies & Shelves Storage Unit (sold separately); each bin measures 16 3/4" x 9" x 4 1/2" high.

Item consists of

***1281 LK127** [6 FLEX-SPC JR CLEAR BIN](#)

1290 DG238 [3 HEAVY-DUTY COAT LOCKER FOR 8](#)

Our classroom-friendly storage lockers make it easy for children to put their belongings away—independently! The heavy-duty unit features 4 easy-access lockers that are just the right height for students...with rounded hooks on both sides—so up to 8 children can easily store their own coats, backpacks and more. Plus, the 8 cubbies are great alone or with our See-Inside Cubby Bins (sold separately)—providing the perfect place for boots, books and lunches. The rugged laminate unit has kid-friendly rounded corners.

1300 LM129 [3 SEE-INSIDE CUBBY BINS-SET OF 8](#)

Our sturdy plastic bins with handles are ideal for shoes, lunch boxes and more! Each bin measures 9 1/8" x 11" x 6 3/4" high.

Item consists of

***1301 LM101** [24 SEE INSIDE CUBBY BIN](#)

1310 DG128 [1 HVY-DTY ALL-IN-ONE KITCHEN](#)

A microwave, a stove, an oven, a sink, a refrigerator and lots of storage space—all in one heavy-duty unit built to withstand years of pretend play! Our rugged, wipe-clean laminate kitchen has tons of authentic details—from a stainless steel faucet and plastic molded handles to real-turning knobs, easy-open doors and more. Play dishes and food sold separately.

1320 WB338 [1 SHATTERPROOF SCHOOL MIRROR](#)



Please initial & date here as approval

Our shatterproof acrylic mirror gives children a remarkably clear image...and the hardwood frame and base keep it safe and stable. Simple assembly.



1330 LC116

1 [6FT CHARCOAL ROUND CARPET](#)

These round, extra-plush carpets are made of thick, soil-resistant synthetic fiber that's incredibly cozy—yet rugged enough to withstand the toughest classroom use! Plus, the carpets feature rich, inviting colors that resist fading year after year...with a sturdy, flexible backing that provides superior support—so carpets lie flat.



1340 LK971

2 [11.5IN ERGO STACKING CHAIR](#)

Ergonomically contoured for superior comfort, our attractive chairs are designed for the early childhood classroom of today! Featuring solid polypropylene seats and heavy-duty, powder-coated steel frames, the easy-to-stack chairs are built to last through years of tough use. Plus, their neutral tan shade will complement any modern learning space. Measurements given are for seat heights. For help choosing the right size chairs, please see the size chart. Learn more:

<https://www.lakeshorelearning.com/products/flex-space-jr> about Flex-Space Jr.® Furniture

1350 FF682BU

1 [EASY-CLEAN COMFY CHAIR BLUE](#)

Designed to withstand years of use, our cozy, kid-sized chair features a sturdy wooden frame covered with soft foam padding, plus a wipe-clean vinyl exterior for easy care.



1360 LK351

1 [FLX-SPC JR MBL 30X36 RECT TBL](#)

Our mobile tables are a breeze to move—providing the flexibility and versatility every 21st-century early childhood classroom needs! Each rectangular table features a natural-looking, wipe-clean tabletop, with rugged laminate on both the surface and underside for added durability—surrounded by a thick vinyl edgband to endure years of tough use. The tables even have full-steel frames for maximum stability and strength, and locking casters for easy and convenient mobility. Plus, the legs are fully adjustable, so the tables are always at exactly the right height for all of your students. Easy assembly.

Item consists of

***1361 LKL1826**

1 [18-26IN TABLE LEGS](#)

***1362 LKT3036M**

1 [30X36 RECT TABLE FOR LK351](#)

1370 LK231

1 [FLX-SPC JR MBL PRESCHL STORAGE](#)

With 2 rows of storage compartments at just the right height for preschoolers, our mobile unit lets you keep materials neat and organized—and roll them right where you need them! The rugged unit has a full-steel frame for maximum stability and strength and rounded edges for safety, plus extra-deep, easy-access shelves to hold a wide variety of items. The durable, wipe-clean laminate unit features four heavy-duty 4" locking casters that fully rotate, so the unit is a breeze to move for cleaning or rearranging your classroom.

1380 FF660

1 [HELP-YOURSELF DRESS-UP CENTER](#)

Keep dress-up clothes and accessories neat—and right where kids can reach them! Our child-sized center lets kids find and put away their own costumes—with rounded double coat hooks for hanging clothing, plus easy-access shelves and cubbies that keep hats and props super-organized. Heavy-duty, wipe-clean laminate center has 3 big cubbies sized to hold our Dishwasher-Safe Plastic Baskets (sold separately)—for added organization.

1390 LL363

1 [DSHWSHR-SAFE PLASTC BASKTS-3EA](#)

Tough and dependable classroom storage—with a soft and natural look! These flexible baskets are made of thick, securely woven plastic that's designed to last and last—without fraying. Perfectly sized for our Help-Yourself Dress-Up Center, the rugged baskets have built-in handles for easy toting...and they're dishwasher-safe to make cleaning a cinch! Baskets measure 14 1/2"l x 11"w x 7 1/2"h.

Item consists of

***1391 LL302**

3 [DISHWASHR-SAFE MED BASKET-NATI](#)

Tough and dependable classroom storage—with a soft and natural look! Each of these flexible baskets is made of thick, securely woven plastic that's designed to last and last—without fraying. The rugged baskets have built-in handles for easy toting...and are dishwasher-safe to make cleaning a cinch!

1400 EE558

1 [LAKESHORE HARDWOOD DOLL CRIB](#)

Our sturdy hardwood crib keeps children's dolls safe and snug! Beautifully crafted crib features smooth, rounded edges and a classroom-tough design. Doll crib measures 22"w x 13 1/4"d x 12 1/2"h; fits dolls up to 18" in length. Doll and bedding set sold separately.

1410 TT788

1 [DOLL BEDDING SET](#)

Machine-washable set includes a mattress, quilt, sheet and pillow—all perfect for the Lakeshore Hardwood Doll Crib.

1420 LC141

1 [CHARCOAL 6X9 RECTANGULR CARPET](#)

These rectangular, extra-plush carpets are made of thick, soil-resistant synthetic fiber that's incredibly cozy—yet rugged enough to withstand the toughest classroom use! Plus, the carpets feature rich, inviting colors that resist fading year after year...with a sturdy, flexible backing that provides superior support—so carpets lie flat.

1430 LK108

1 [FLX-SPC JR MBL CLASSROOM NOOK](#)



Please initial & date here as approval

Give kids a comfy, private space to relax, enjoy a good book or just take a break—with an inviting nook that rolls anywhere! Featuring an open front and two side “windows” to keep children in view, our charming unit has a homey design that creates a quiet, calming environment kids will love to get cozy in. Plus, the mobile unit includes four heavy-duty 4" casters that securely lock in place...a rugged, full-steel frame for maximum strength and stability...and rounded corners for safety. The durable laminate unit comfortably sits two children at once and comes complete with a wipe-clean vinyl cushion and 3 machine-washable pillows. Easy assembly.

***1431 LK108-1M** [1 BOX 1 - TOP HOUSE FOR LK108](#)

***1432 LK108-4** [1 PILLOWS FOR MOBILE CLASS NOOK](#)

***1433 LK108-3** [1 CUSHION FOR MOBILE CLASS NOOK](#)

***1434 LK108-2M** [1 BOX 2 - SLED BASE FOR LK108](#)

1440 LC570X [1 CALM CLR S GNT PILLOW-ST OF 4](#)
Our oversize pillows in calming colors are perfect for sitting, relaxing and enjoying quiet time! Each is filled with super-comfy foam and includes a soft, liquid-resistant polyester cover that removes for machine-washing.
Item consists of

***1441 LC571SG** [1 CALM CLR GIANT PILLOW-SAGE GRN](#)
Our oversize pillows in calming colors are perfect for sitting, relaxing and enjoying quiet time! Each is filled with super-comfy foam and includes a soft, liquid-resistant polyester cover that removes for machine-washing.

***1442 LC571SE** [1 CALM CLR GIANT PILLOW-SEA BLUE](#)
Our oversize pillows in calming colors are perfect for sitting, relaxing and enjoying quiet time! Each is filled with super-comfy foam and includes a soft, liquid-resistant polyester cover that removes for machine-washing.

***1443 LC571SB** [1 CALM CLR GIANT PILLOW-SKY BLUE](#)
Our oversize pillows in calming colors are perfect for sitting, relaxing and enjoying quiet time! Each is filled with super-comfy foam and includes a soft, liquid-resistant polyester cover that removes for machine-washing.

***1444 LC571AT** [1 CALM CLR GIANT PILLOW-ALMD TAN](#)
Our oversize pillows in calming colors are perfect for sitting, relaxing and enjoying quiet time! Each is filled with super-comfy foam and includes a soft, liquid-resistant polyester cover that removes for machine-washing.

1450 LK244 [1 FLX-SPC JR MOBILE BOOK CTR](#)
An easy-view, easy-reach book center—on wheels! Our mobile unit has 3 compartments on top that hold tons of books, plus 3 rows of angled shelves to display select titles right where children can see and reach them. On bottom, there are 3 roomy, extra-deep storage cubbies to organize everything from storytelling kits to puppets and props—with or without our Natural Color Big Bins (sold separately). The wipe-clean laminate center features a sturdy, full-steel frame for maximum stability and strength and rounded edges for safety. Plus, the four heavy-duty 4" locking casters make it a breeze to move the unit to rearrange your classroom for naptime or special events.

1460 LM145 [1 FLX-SPC JR NTRL BIG BIN-3EA](#)
Extra-rugged storage bins—in a neutral tan color that adds a natural touch to the classroom! Our heavy-duty plastic bins make it easy to organize all sorts of materials—from storytelling kits and puppets to books and manipulatives...and they even nest for convenient storage when not in use. Set includes 3 bins—perfectly sized for the extra-deep cubbies in our Flex-Space Jr.™ Mobile Book Center (sold separately); each bin measures 16 3/4" x 12 1/4" x 6" high.
Item consists of

***1461 LM144** [3 NATURAL COLOR BIN](#)

1470 LK231 [1 FLX-SPC JR MBL PRESCHL STORAGE](#)
With 2 rows of storage compartments at just the right height for preschoolers, our mobile unit lets you keep materials neat and organized—and roll them right where you need them! The rugged unit has a full-steel frame for maximum stability and strength and rounded edges for safety, plus extra-deep, easy-access shelves to hold a wide variety of items. The durable, wipe-clean laminate unit features four heavy-duty 4" locking casters that fully rotate, so the unit is a breeze to move for cleaning or rearranging your classroom.

1480 LK334 [1 FLX-SPC JR MOBILE LISTNING CTR](#)
It's a listening center and a quick-access storage space—in one compact, mobile unit! Featuring a full-steel frame and rounded edges for safety, the wipe-clean laminate center has room for all your audio equipment on top, including 8 built-in grooves for headphones. On bottom, there's a shelf for instruments and 2 large cubbies that can be used alone or with our See-Inside Bins (sold separately). Plus, with 4 durable, 4" locking casters, it's easy to roll where you need it! Equipment sold separately. Learn more: <https://www.lakeshorelearning.com/products/flex-space-jr> about Flex-Space Jr.® Furniture

1490 LK340 [1 SEE-INSIDE BINS SET OF 2](#)



Please initial & date here as approval

End the "What's inside?" guessing game with our See-Inside Bins. The bins are ideal for storing toys, manipulatives, supplies—you name it! Each plastic bin measures 16 3/4" x 12 1/4" x 6".
Item consists of



***1491 829BB**

2 [SEE-INSIDE BIG BINS](#)

1500 LC1591

2 [EASY-STACK COT CARRIER](#)

Our sturdy metal carrier holds up to 20 Easy-Stack Cots! Plus, it features 4 heavy-duty casters for super-easy transport. Comes in navy blue. Easy-Stack Cots sold separately.



1510 DG374

4 [HEAVY-DUTY LAKESHORE COT](#)

Our kid-sized cot is built for safety...and comfort! Stackable, tip-proof cot is low to the ground and has a sturdy frame with rounded corners for added safety. Plus, the stretch-resistant polyester cover has a wipe-clean surface and heat-sealed seams that resist tearing and fraying. Comes in tan. Cot carrier sold separately.



1520 DG375

4 [HEAVY-DUTY LKSHR COT-ST OF 5](#)

Our kid-sized cot is built for safety...and comfort! Stackable, tip-proof cot is low to the ground and has a sturdy frame with rounded corners for added safety. Plus, the stretch-resistant polyester cover has a wipe-clean surface and heat-sealed seams that resist tearing and fraying. Comes in tan. Cot carrier sold separately.
Item consists of



***1521 DG374**

20 [HEAVY-DUTY LAKESHORE COT](#)

Our kid-sized cot is built for safety...and comfort! Stackable, tip-proof cot is low to the ground and has a sturdy frame with rounded corners for added safety. Plus, the stretch-resistant polyester cover has a wipe-clean surface and heat-sealed seams that resist tearing and fraying. Comes in tan. Cot carrier sold separately.



1530 LA719

1 [GIANT CLR-VIEW WATER PLAY TABL](#)

Our giant play table features a clear, unbreakable tub with a drain at one end—so when kids are done splashing and experimenting, you just turn the spigot and let the water out. Lightweight plastic tub comes in a no-rust aluminum stand with slip-resistant, rubber-tipped legs that keep the table secure, stable and at just the right height for kids! Easy assembly.
Item consists of



***1531 LA282**

1 [STAND FOR LA719 WATER PLAY TBL](#)

***1532 LA280**

1 [WATER PLAY TUB WITH DRAIN](#)

1540 LA129

1 [TOP FOR WATER PLAY TABLE](#)

Perfect for covering our Giant Clear-View Water Play Table (sold separately) between play sessions. Made of tough plastic, the top measures 30 1/4" x 18 1/4".



1550 LK227

1 [FLX-SPC JR MBL CUBBIES-SHELVS](#)

Organize and store a variety of classroom essentials—large, small and everything in between! Our mobile unit has 2 big shelves that are both deep and wide, so you can easily fit oversize and hard-to-store materials. Plus, the 6 handy cubbies are perfect for smaller items—with or without our Clear-View Bins (sold separately). The easy-care, wipe-clean laminate unit also features a full-steel frame for maximum stability and strength...rounded edges for safety...and four heavy-duty 4" locking casters for convenient mobility anywhere you need it.



1560 LK126

1 [FLX-SPC JR CLEAR BINS- SET 6](#)

Set includes 6 roomy, see-inside plastic bins—perfectly sized for the extra-deep cubbies in our Flex-Space Jr.® Mobile Cubbies & Shelves Storage Unit (sold separately); each bin measures 16 3/4" x 9" x 4 1/2" high.
Item consists of



***1561 LK127**

6 [FLEX-SPC JR CLEAR BIN](#)

1570 LK971

24 [11.5IN ERGO STACKING CHAIR](#)

Ergonomically contoured for superior comfort, our attractive chairs are designed for the early childhood classroom of today! Featuring solid polypropylene seats and heavy-duty, powder-coated steel frames, the easy-to-stack chairs are built to last through years of tough use. Plus, their neutral tan shade will complement any modern learning space. Measurements given are for seat heights. For help choosing the right size chairs, please see the size chart. Learn more: <https://www.lakeshorelearning.com/products/flex-space-jr> about Flex-Space Jr.® Furniture



1580 LK974

2 [17.5IN TCHRS ERGO STKNG CHAIR](#)

Ergonomically contoured for superior comfort, our attractive chairs are designed for the early childhood classroom of today! Featuring solid polypropylene seats and heavy-duty, powder-coated steel frames, the easy-to-stack chairs are built to last through years of tough use. Plus, their neutral tan shade will complement any modern learning space. Measurements given are for seat heights. For help choosing the right size chairs, please see the size chart. Learn more: <https://www.lakeshorelearning.com/products/flex-space-jr> about Flex-Space Jr.® Furniture



1590 LK353

3 [FLX-SPC JR MBL 30X60 RECT TBL](#)

Please initial & date here as approval

Our mobile tables are a breeze to move—providing the flexibility and versatility every 21st-century early childhood classroom needs! Each rectangular table features a natural-looking, wipe-clean tabletop, with rugged laminate on both the surface and underside for added durability—surrounded by a thick vinyl edgeband to endure years of tough use. The tables even have full-steel frames for maximum stability and strength, and locking casters for easy and convenient mobility. Plus, the legs are fully adjustable, so the tables are always at exactly the right height for all of your students. Easy assembly.

Item consists of

***1591 LKL1826**

3 [18-26IN TABLE LEGS](#)

***1592 LKT3060M**

3 [30X60 RECT TABLE FOR LK353](#)



Please initial & date
here as approval